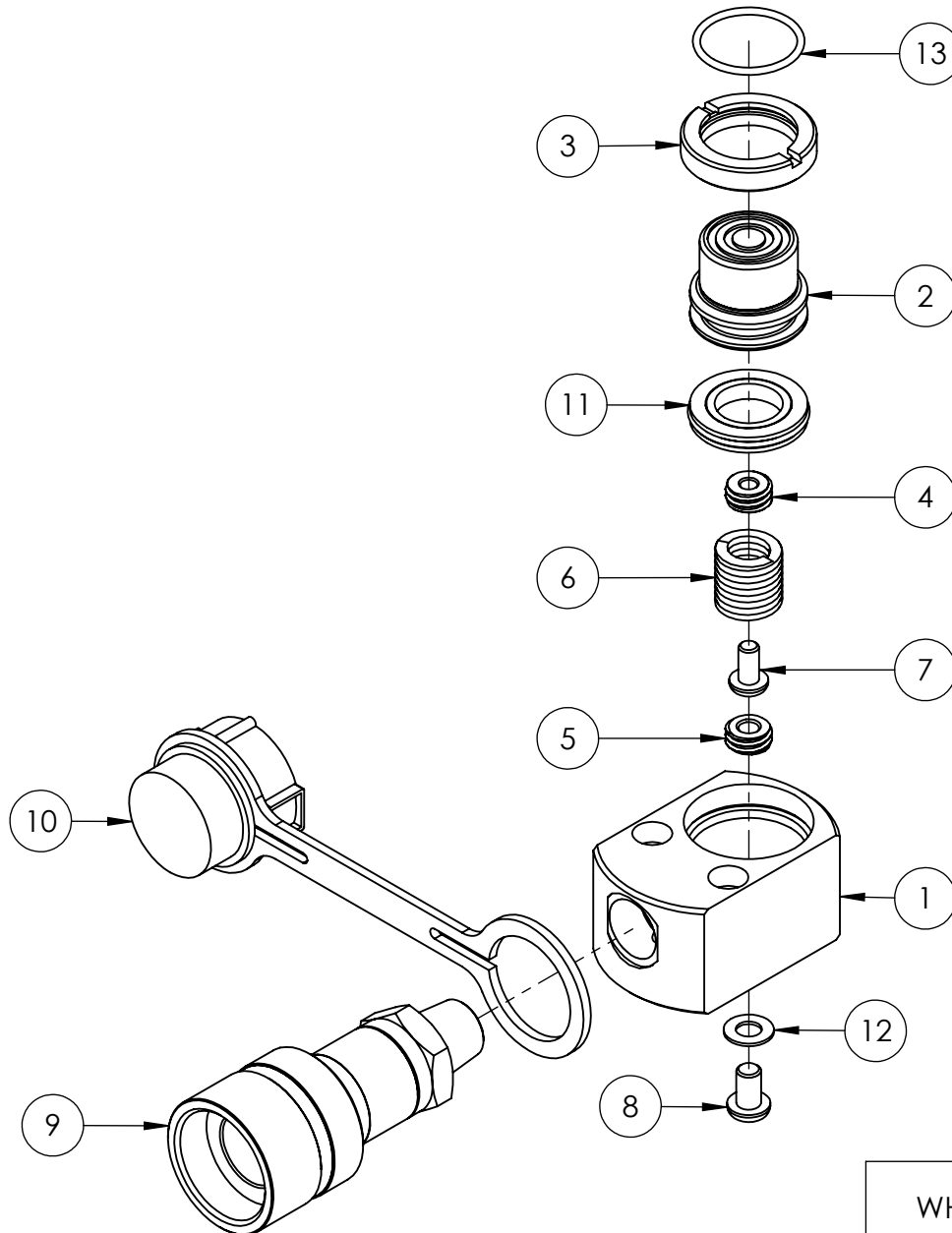


REVISION

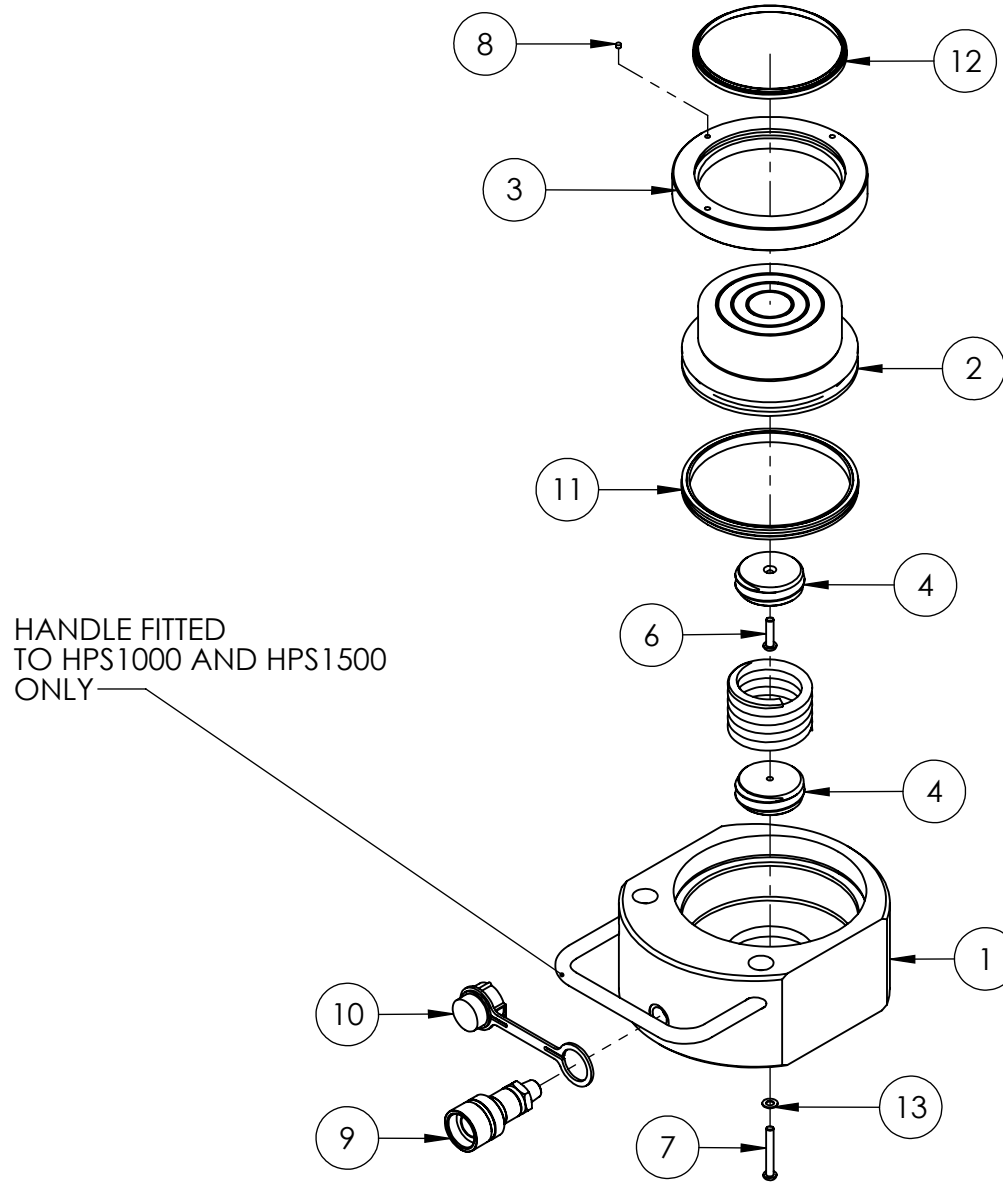
1	
2	3928
3	4088
4	5794
5	
6	
7	
8	
9	
10	
11	
12	
13	
14	
15	
16	
17	
18	
19	
20	



REF	DESCRIPTION	MODEL NUMBER	
		HPS50	HPS51
1	CYLINDER	CBC029FA001	CBC029FB001
2	PISTON	PRC029FA001	PRC029FB001
3	STOP RING	SRC024WC001	SRC024WC001
4	INSERT	SIC011TB005	SIC011TB005
5	INSERT	SIC011TB004	SIC011TB004
6	SPRING	SPC017SA002	SPC017SB002
7	SCREW	X	X
8	SCREW	X	X
9	COUPLER	CF1	CF1
10	DUST CAP	PPC1	PPC1
11	PISTON SEAL	X	X
12	WASHER	X	X
13	O-RING	X	X
-	SERVICE KIT	HPS5TP1-K	HPS5TP1-K

IMPORTANT

WHEN ORDERING SPARES YOU MUST STATE THE FULL PART NUMBER AND THE PRODUCT SERIAL NUMBER - FROM THE LABEL TO PROTECT YOUR WARRANTY ALWAYS USE GENUINE HI-FORCE PARTS.



REVISION

1	
2	3928
3	4088
4	5794
5	
6	
7	
8	
9	
10	
11	
12	
13	
14	
15	
16	
17	
18	
19	
20	

IMPORTANT
WHEN ORDERING SPARES YOU MUST STATE THE FULL PART NUMBER AND THE
PRODUCT SERIAL NUMBER - FROM THE LABEL
TO PROTECT YOUR WARRANTY ALWAYS USE GENUINE HI-FORCE PARTS.

REVISION

REF NO.	DESCRIPTION	MODEL NUMBER					
		HPS100		HPS200		HPS300	
		UPTO AND INCLUDING SERIAL No. AX1173	FROM AND INCLUDING SERIAL No. AY3178	UPTO AND INCLUDING SERIAL No. AW6371	FROM AND INCLUDING SERIAL No. AX0153	UPTO AND INCLUDING SERIAL No. AW1285	FROM AND INCLUDING SERIAL No. AW5042
1	CYLINDER	CBC043FA001	CBC043FA001	CBC060FA001	CBC060FA001	CBC076FA001	CBC076FA001
2	PISTON	PRC043FA001	PRC043FA003	PRC060FA001	PRC060FA002	PRC076FA001	PRC076FA002
3	STOP RING	SRC038WD004	SRC038WD005	SRC051WF001	SRC051WF003	SRC060WG001	SRC060WG003
4	INSERT	SIC013TB001	SIC013TB001	SIC013TB001	SIC013TB001	SIC013TB001	SIC013TB001
5	SPRING	SPC022SB001	SPC022SB001	SPC022SB001	SPC022SB001	SPC022SC001	SPC022SC001
6	SCREW	X	X	X	X	X	X
7	SCREW	X	X	X	X	X	X
8	FILTER	-	-	-	-	FFC004RC001	FFC004RC001
9	COUPLER	CF1	CF1	CF1	CF1	CF1	CF1
10	DUST CAP	PPC1	PPC1	PPC1	PPC1	PPC1	PPC1
11	PISTON SEAL	X	X	X	X	X	X
12	WIPER	X	X	X	X	X	X
13	WASHER	X	X	X	X	X	X
14	SERVICE KIT:	HPS10TP1-K	HPS10TP2-K	HPS20TP1-K	HPS20TP2-K	HPS30TP1-K	HPS30TP2-K

1	
2	3928
3	4088
4	5794
5	
6	
7	
8	
9	
10	
11	
12	
13	
14	
15	
16	
17	
18	
19	
20	

NOTE: ITEMS MARKED 'X' SUPPLIED IN SERVICE KIT (ITEM 14) ONLY.

NOTE:
PISTON, STOP RING AND SEAL KITS ARE **NOT INTERCHANGABLE**
BETWEEN DIFFERENT SERIAL NUMBERS.

IMPORTANT

WHEN ORDERING SPARES YOU MUST STATE THE FULL PART NUMBER AND THE
PRODUCT SERIAL NUMBER - FROM THE LABEL
TO PROTECT YOUR WARRANTY ALWAYS USE GENUINE HI-FORCE PARTS.

REF NO.	DESCRIPTION	HPS500		HPS750		HPS1000			HPS1500		
		UPTO AND INCLUDING SERIAL No. AV6433	FROM AND INCLUDING SERIAL No. AW2050	UPTO AND INCLUDING SERIAL No. AW2555	FROM AND INCLUDING SERIAL No. AY6346	UPTO AND INCLUDING SERIAL No. AW9920	FROM AND INCLUDING SERIAL No. AY6923 AND UP TO AND INCLUDING SERIAL No. BB2189	FROM AND INCLUDING SERIAL No. BC1994	UPTO AND INCLUDING SERIAL No. AW3589	FROM AND INCLUDING SERIAL No. CA4006	FROM AND INCLUDING SERIAL No. BD3127
		1	CYLINDER	CBC095FA001	CBC095FA001	CBC114FB001	CBC114FB001	CBC140FA001	CBC140FA001	CBS140FA002	CBC162FB001
2	PISTON	PRC095FA001	PRC095FA004	PRC114FB001	PRC114FB002	PRC140FA001	PRC140FA002	PRC140FA002	PRC162FB002	PRC162FB003	PRC162FB003
3	STOP RING	SRC070WJ001	SRC070WJ002	SRC082WK001	SRC082WK002	SRC114WM001	SRC114WM002	SRC114WM002	SRC114WP001	SRC114WP002	SRC114WP002
4	INSERT	SIC040TB001	SIC040TB001	SIC040TB001	SIC040TB001	SIC053TD001	SIC053TD001	SIC050TD002	SIC053TD001	SIC053TD001	SIC050TD002
5	SPRING	SPC049TB001	SPC049TB001	SPC049TC001	SPC049TC001	SPC065TC001	SPC065TC001	SPC067TC001	SPC065TC001	SPC065TC001	SPC067TC001
6	SCREW	X	X	X	X	X	X	X	X	X	X
7	SCREW	X	X	X	X	X	X	X	X	X	X
8	FILTER	FFC004RC001	FFC004RC001	FFC004RC001	FFC004RC001	FFC004RC001	FFC004RC001	FFC004RC001	FFC004RC001	FFC004RC001	FFC004RC001
9	COUPLER	CF1	CF1	CF1	CF1	CF1	CF1	CF1	CF1	CF1	CF1
10	DUST CAP	PPC1	PPC1	PPC1	PPC1	PPC1	PPC1	PPC1	PPC1	PPC1	PPC1
11	PISTON SEAL	X	X	X	X	X	X	X	X	X	X
12	WIPER	X	X	X	X	X	X	X	X	X	X
13	WASHER	X	X	X	X	X	X	X	X	X	X
14	SERVICE KIT:	HPS50TP1-K	HPS50TP2-K	HPS75TP1-K	HPS75TP2-K	HPS100TP1-K	HPS100TP2-K	HPS100TP2-K	HPS150TP1-K	HPS150TP2-K	HPS150TP2-K

REVISION

1	
2	3928
3	4088
4	5794
5	
6	
7	
8	
9	
10	
11	
12	
13	
14	
15	
16	
17	
18	
19	
20	

NOTE: ITEMS MARKED 'X' SUPPLIED IN SERVICE KIT (ITEM 14) ONLY.

NOTE:
PISTON, STOP RING AND SEAL KITS ARE **NOT INTERCHANGABLE**
BETWEEN DIFFERENT SERIAL NUMBERS.

IMPORTANT
WHEN ORDERING SPARES YOU MUST STATE THE FULL PART NUMBER AND THE
PRODUCT SERIAL NUMBER - FROM THE LABEL
TO PROTECT YOUR WARRANTY ALWAYS USE GENUINE HI-FORCE PARTS.