

REVISION

1 6259

2

3

4

5

6

7

8

9

10

11

12

13

14

15

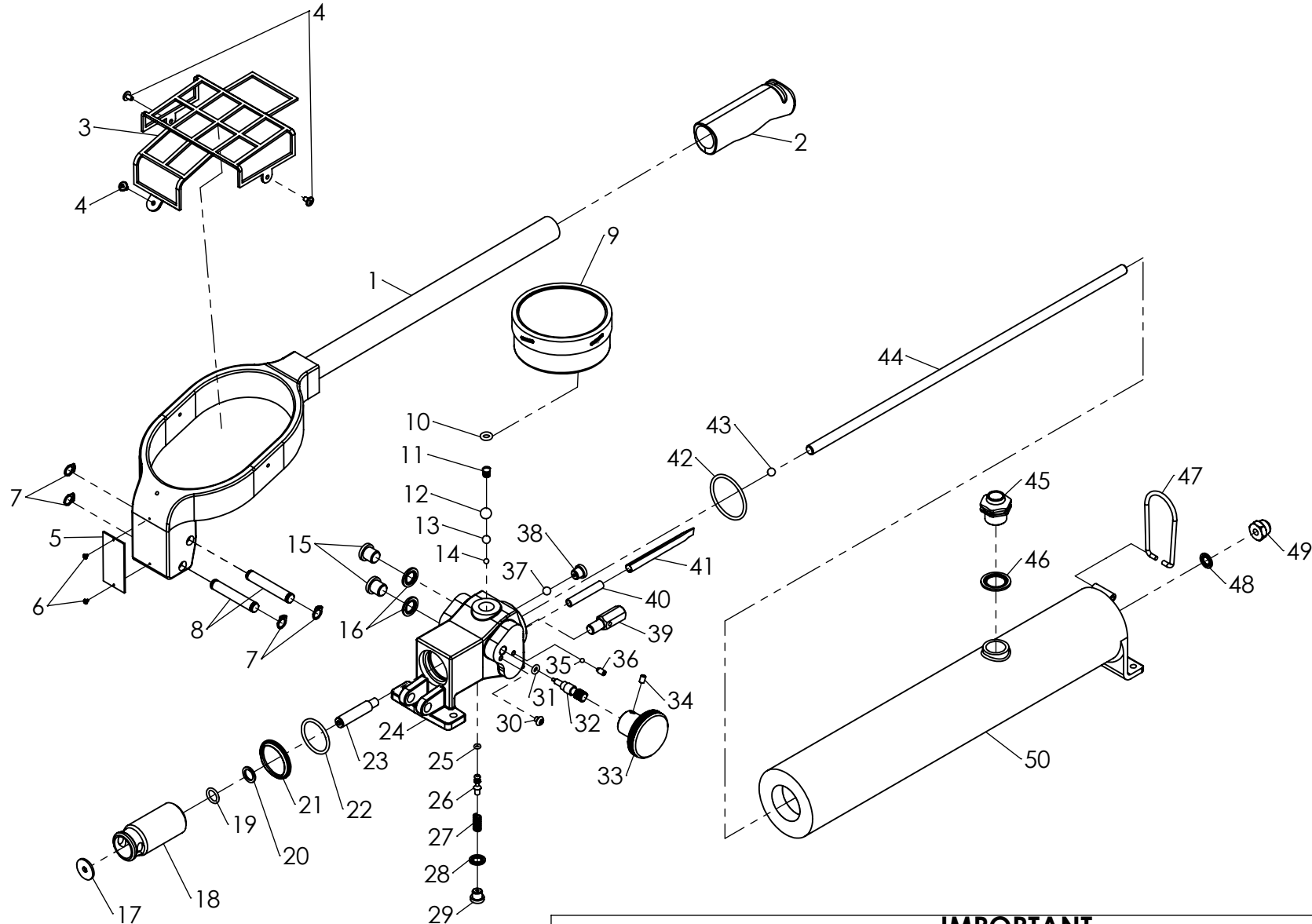
16

17

18

19

20



IMPORTANT

WHEN ORDERING SPARES YOU MUST STATE THE FULL PART NUMBER AND THE PRODUCT SERIAL NUMBER - FROM THE LABEL TO PROTECT YOUR WARRANTY ALWAYS USE GENUINE HI-FORCE PARTS.

REVISION

1 6259

PART NO.	DESCRIPTION	QTY	KIT NO.
HPX1500 - 1	HANDLE	1	A
HPX1500 - 2	HANDLE GRIP	1	A
HPX1500 - 3	MESH	1	A
HPX1500 - 4	SCREW	3	-
HPX1500 - 5	NAME PLATE	1	-
HPX1500 - 6	RIVET	2	-
HPX1500 - 7	TRACK RING	4	A OR B
HPX1500 - 8	AXEL	2	A
HPX1500 - 9	GAUGE	1	-
HPX1500 - 10	O'RING	1	B
HPX1500 - 11	SPRING	1	B
HPX1500 - 12	BALL	1	B
HPX1500 - 13	BALL	1	B
HPX1500 - 14	BALL	1	B
HPX1500 - 15	PLUG	2	B
HPX1500 - 16	PACKING	2	B
HPX1500 - 17	WASHER	1	B
HPX1500 - 18	PISTON	1	C
HPX1500 - 19	O'RING	1	B OR C
HPX1500 - 20	SUPPORT RING	1	B OR C
HPX1500 - 21	WIPER	1	B
HPX1500 - 22	O'RING	1	B OR C
HPX1500 - 23	PISTON	1	C
HPX1500 - 24	HOUSING	1	-
HPX1500 - 25	O'RING	1	B
HPX1500 - 26	PISTON	1	B
HPX1500 - 27	SPRING	1	B
HPX1500 - 28	PACKING	1	B
HPX1500 - 29	PLUG	1	B

2
3
4
5
6
7
8
9
10
11
12
13
14
15
16
17
18
19
20

IMPORTANT

WHEN ORDERING SPARES YOU MUST STATE THE FULL PART NUMBER AND THE PRODUCT SERIAL NUMBER - FROM THE LABEL TO PROTECT YOUR WARRANTY ALWAYS USE GENUINE HI-FORCE PARTS.

REVISION

1 6259

PART NO.	DESCRIPTION	QTY	KIT NO.
HPX1500 - 30	SCREW	1	D
HPX1500 - 31	O'RING	1	B O R D
HPX1500 - 32	RELEASE SCREW	1	D
HPX1500 - 33	HAND WHEEL	1	D
HPX1500 - 34	GRUB SCREW	1	D
HPX1500 - 35	BALL	1	-
HPX1500 - 36	GRUB SCREW	1	-
HPX1500 - 37	BALL	1	B
HPX1500 - 38	PLUG	1	B
HPX1500 - 39	RELIEF VALVE	1	-
HPX1500 - 40	SUCTION PIPE	1	B
HPX1500 - 41	FILTER	1	B
HPX1500 - 42	O'RING	1	B
HPX1500 - 43	BALL	1	B
HPX1500 - 44	THREADED ROD	1	-
HPX1500 - 45	FILLER BREATHER	1	-
HPX1500 - 46	PACKING	1	B
HPX1500 - 47	YOKE	1	-
HPX1500 - 48	PACKING	1	B
HPX1500 - 49	NUT	1	B
HPX1500 - 50	OIL TANK	1	-

ITEM NO.	DESCRIPTION	PART NO.
KIT A	HANDLE KIT	HPX1500 - A
KIT B	REPAIR/SEAL KIT	HPX1500 - B
KIT C	PISTION KIT	HPX1500 - C
KIT D	RELEASE KIT	HPX1500 - D

IMPORTANT

WHEN ORDERING SPARES YOU MUST STATE THE FULL PART NUMBER AND THE PRODUCT SERIAL NUMBER - FROM THE LABEL TO PROTECT YOUR WARRANTY ALWAYS USE GENUINE HI-FORCE PARTS.