

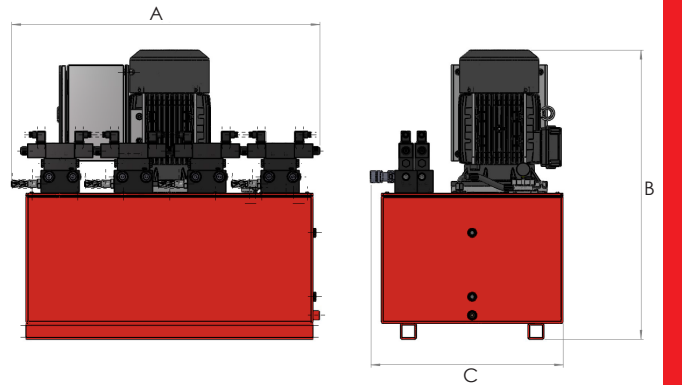
**HSP | ELECTRIC DRIVEN SPLIT FLOW MULTI-OUTLET PUMPS**



**Working pressure 700 bar**

**Efficient 3 phase motors with DC electric solenoids**

**Both single and double acting cylinder models available**



- ▶ Selection of outlet valve configurations ranging from 4-outlet pump with manual valves to 8-outlet pump with electric solenoid valves
- ▶ Control system with individual outlet selection switches, providing choice of single or multiple synchronised operation
- ▶ Heavy duty completely enclosed, fan cooled three phase electric motor
- ▶ Externally adjustable pressure setting valves on each outlet, for pre-setting pressure up to 700 bar maximum

Model number	Valve configuration	Valve type	Oil capacity (litres)	Oil flow per outlet (litres/minute)	Motor voltage	Motor power (kW)	Weight (kg)	Dimensions (mm)		
								A	B	C
HSP4SM	4 x 3-way	manual	100	1.1	380/440V-3Ph	7.5	272	1000	910	610
HSP4DM	4 x 4-way	manual	100	1.1	380/440V-3Ph	7.5	272	1000	910	610
HSP4SE	4 x 3-way	electric	100	1.1	380/440V-3Ph	7.5	274	1000	910	610
HSP4DE	4 x 4-way	electric	100	1.1	380/440V-3Ph	7.5	274	1000	910	610
HSP6SE	6 x 3-way	electric	200	0.9	380/440V-3Ph	11	335	1250	1060	800
HSP6DE	6 x 4-way	electric	200	0.9	380/440V-3Ph	11	335	1250	1060	800
HSP8SE	8 x 3-way	electric	200	0.9	380/440V-3Ph	11	370	1250	1060	800
HSP8DE	8 x 4-way	electric	200	0.9	380/440V-3Ph	11	370	1250	1060	800