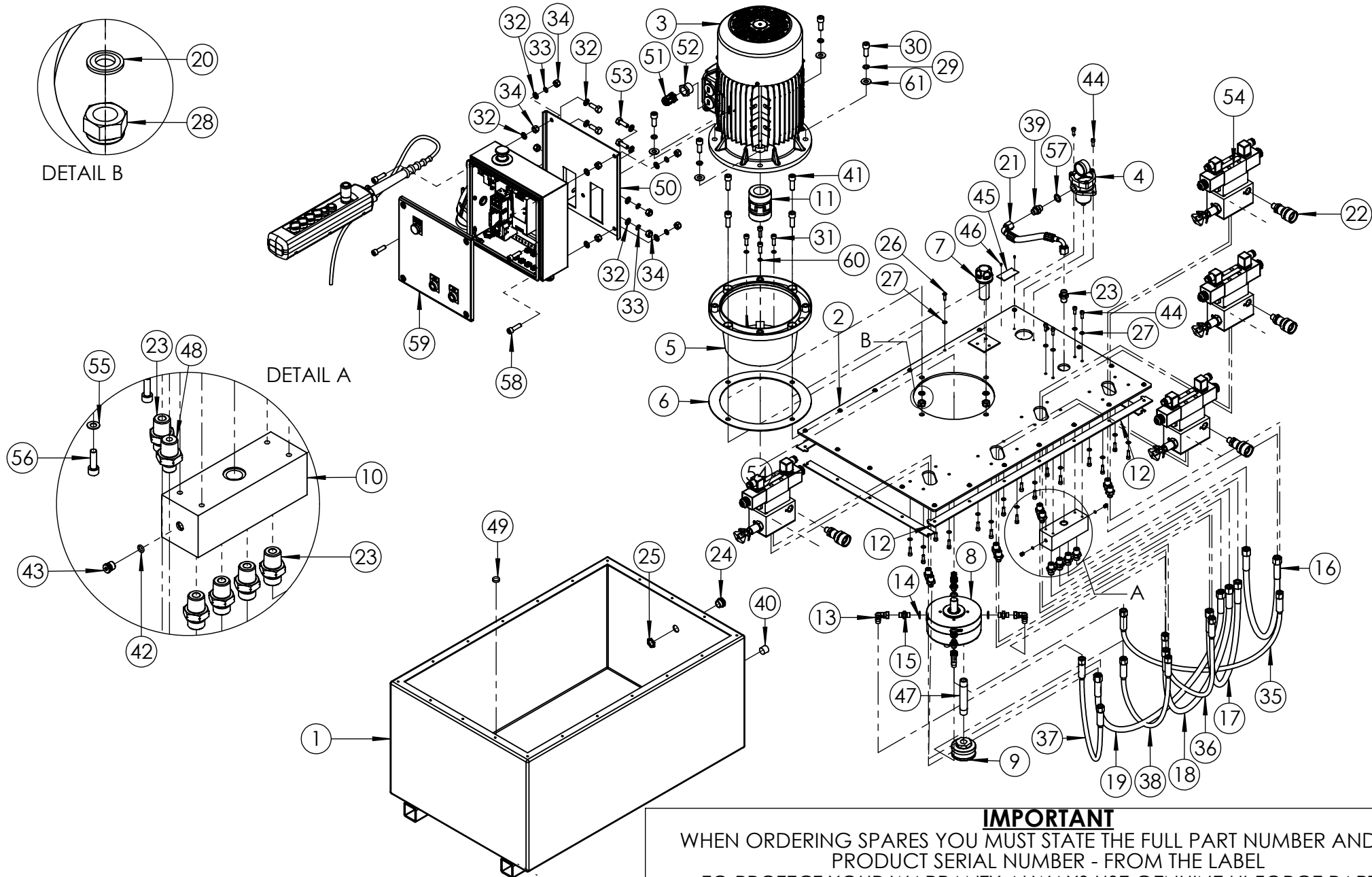


REVISION

| | |
|----|------|
| 1 | 5804 |
| 2 | |
| 3 | |
| 4 | |
| 5 | |
| 6 | |
| 7 | |
| 8 | |
| 9 | |
| 10 | |
| 11 | |
| 12 | |
| 13 | |
| 14 | |
| 15 | |
| 16 | |
| 17 | |
| 18 | |
| 19 | |
| 20 | |



IMPORTANT
WHEN ORDERING SPARES YOU MUST STATE THE FULL PART NUMBER AND THE PRODUCT SERIAL NUMBER - FROM THE LABEL TO PROTECT YOUR WARRANTY ALWAYS USE GENUINE HI-FORCE PARTS.

| ITEM NO. | PART NUMBER | DESCRIPTION | QTY. | SPARE PARTS |
|----------|---------------|--|------|-------------|
| 1 | TAC100AS006 | TANK | 1 | |
| 2 | TAC100BS008 | TANK LID | 1 | |
| 3 | EM415-7.5-4 | 415V 7.5 Kw ELECTRIC MOTOR IE3 EFFICIENCY STANDARD B5 | 1 | |
| 4 | FFC050TS001 | RETURN LINE FILTER | 1 | |
| 5 | PMC000HP006 | BELL HOUSING | 1 | |
| 6 | PMC000HP006G | GASKET | 1 | |
| 7 | FFC028PZ001 | FILLER/BREATHER | 1 | |
| 8 | PMA020MA006 | PUMP UNIT | 1 | |
| 9 | FFC045MZ001 | FILTER | 1 | |
| 10 | VFC010BN005 | RETURN MANIFOLD | 1 | |
| 11 | MCC000CD009 | SHAFT COUPLING | 1 | |
| 12 | SEC003KT005-1 | GASKET | 1 | |
| 13 | FPC006FB001 | 1/4" BSP FEMALE - 1/4" BSP MALE ELBOW | 4 | |
| 14 | WAC007HD000 | 1/4" BSP SELF CENTERING BONDED WASHER | 4 | |
| 15 | FPC006QB003 | ADAPTOR | 4 | |
| 16 | HOC010AB020 | 3/8" BSP - 3/8" BSP HYDRAULIC HOSE - 5000psi - 650 mm | 1 | |
| 17 | HOC010AB021 | 3/8" BSP - 3/8" BSP HYDRAULIC HOSE - 5000 psi - 720 mm | 1 | |
| 18 | HOC010AB022 | 3/8" BSP - 3/8" BP HYDRAULIC - 5000 psi - 840 mm | 1 | |
| 19 | HOC010AB023 | 3/8" BSP - 3/8" BSP HYDRAULIC HOSE - 5000psi - 980 mm | 1 | |
| 20 | WAC012KD000 | DOWTY WASHER | 4 | |
| 21 | HOC010AB028 | 3/8" BSP - 3/8" BSP HYDRAULIC HOSE | 1 | |

| ITEM NO. | PART NUMBER | DESCRIPTION | QTY. | SPARE PARTS | REVISION |
|----------|-------------|---|------|-------------|----------|
| 22 | CF1 | COUPLER | 4 | | 1 5804 |
| 23 | FPC010BF003 | 3/8" NPT MALE - 3/8" BSP MALE ADAPTOR | 9 | | 2 |
| 24 | BLC021YT010 | SIGHT GLASS HGF.13 BLACK OIL LEVEL INDICATOR | 2 | | 3 |
| 25 | NUC021-B000 | 1/2" BSP LOCK NUT | 2 | | 4 |
| 26 | BLC006JH020 | BUTTON HEAD SCREW | 20 | | 5 |
| 27 | WAC006EB000 | M6 WASHER | 24 | | 6 |
| 28 | NUC012MC000 | NUT | 4 | | 7 |
| 29 | WAC012BB000 | M12 SPRING WASHER | 4 | | 8 |
| 30 | BLC012MD030 | M12 X 30MM BOLT | 4 | | 9 |
| 31 | BLC008KD025 | SOCKET CAP HD SCREW | 4 | | 10 |
| 32 | WAC010AB000 | M10 ZINC PLATED FLAT WASHER | 16 | | 11 |
| 33 | WAC010BZ000 | M10 SPRING WASHER | 8 | | 12 |
| 34 | NUC010LC000 | M10 NUT | 12 | | 13 |
| 35 | HOC010AB024 | 1/4" BSP - 1/4" BSP HYDRAULIC HOSE - 10000 psi - 800 mm | 1 | | 14 |
| 36 | HOC010AB025 | 1/4" BSP - 1/4" BSP HYDRAULIC HOSE - 10000 psi - 570 mm | 1 | | 15 |
| 37 | HOC010AB026 | 1/4" BSP - 1/4" BSP HYDRAULIC HOSE - 10000 psi - 780 mm | 1 | | 16 |
| 38 | HOC010AB027 | 1/4" BSP - 1/4" BSP HYDRAULIC HOSE - 10000psi - 600 mm | 1 | | 17 |
| 39 | FPC010AB001 | 3/8" BSP MALE/MALE ADAPTOR | 1 | | 18 |
| 40 | FPC013PC001 | 12" BSPT HEX SOCKET PLUG | 1 | | 19 |
| 41 | BLC012MD035 | M12 X 35mm, HEX SOCKET CAP HEAD SCREW | 4 | | 20 |
| 42 | SEC008RA002 | O-RING | 2 | | |

IMPORTANT

WHEN ORDERING SPARES YOU MUST STATE THE FULL PART NUMBER AND THE PRODUCT SERIAL NUMBER - FROM THE LABEL TO PROTECT YOUR WARRANTY ALWAYS USE GENUINE HI-FORCE PARTS.

| ITEM NO. | PART NUMBER | DESCRIPTION | QTY. | SPARE PARTS |
|----------|--------------------|---|------|-------------|
| 43 | FPC008PM003 | PLUG | 2 | |
| 44 | BLC006JD016 | SOCKET CAP HD SCREW | 6 | |
| 45 | AAN000UP001 | 60 x 30 mm UNIVERSAL NAME PLATE | 1 | X |
| 46 | FAS002HZ001 | NO.4 x 3/16 BRASS HAMMER DRIVE SCREW | 2 | |
| 47 | FPC013AC004 | SUCTION PIPE | 1 | |
| 48 | FPC010BF004 | 3/8" NPT MALE - 1/4" BSP MALE ADAPTOR | 4 | |
| 49 | DCSF00328 | DOUBLE SIDED MAGNET | 1 | |
| 50 | SFC300HC002 | ELECTRICAL ENCLOSURE MOUNTING PLATE | 1 | |
| 51 | EMC415NF001 | M25 x 1.5 CABLE GLAND | 1 | |
| 52 | EMC415NF002 | M32 TO M25 CONDUIT REDUCER | 1 | |
| 53 | BLC010LB030 | BOLT | 4 | |
| 54 | VFA010ME005 | SINGLE ACTING MANIFOLD ASSEMBLY | 4 | |
| 55 | WAC006AF000 | M6 ZINC WASHER | 16 | |
| 56 | BLC006JD020 | M6 x 20 mm HEX SOCKET CAP HEAD SCREW | 16 | |
| 57 | WAC010HD000 | 3/8" BSP DOWTY WASHER | 1 | |
| 58 | BLC010LD035 | M10 X 35mm, HEX SOCKET CAP HEAD SCREW | 4 | |
| 59 | EMC415EF004 | ELECTRICAL ENCLOSURE 415V 3 PHASE TWIN MOTORS | 1 | |
| 60 | WAC008BB000 | M8 ZINC PLATED SPRING WASHER | 4 | |
| 61 | WAC012AB000 | WASHER | 4 | |
| * | SFC065FA002 | BLANKING PLATE | 1 | |

NOTE:

- ALL PARTS ARE AVAILABLE TO BE ORDERED AS SPARE PARTS (UNLESS MARKED WITH X).

- ONLY PARTS MARKED WITH ✓ ARE AVAILABLE AS BOTH SPARE PARTS OR SERVICEABLE PARTS, FROM **HEP-SK1 PUMP SERVICE KIT**. (REFER TO HEP-SK1: PUMP SERVICE KIT EVD FOR FULL PARTS LIST)

- FOR SUB ASSEMBLIES (ITEM NO. 54 & 59) REFER TO THEIR INDIVIDUAL EVD's.

REVISION

1 5804

2

3

4

5

6

7

8

9

10

11

12

13

14

15

16

17

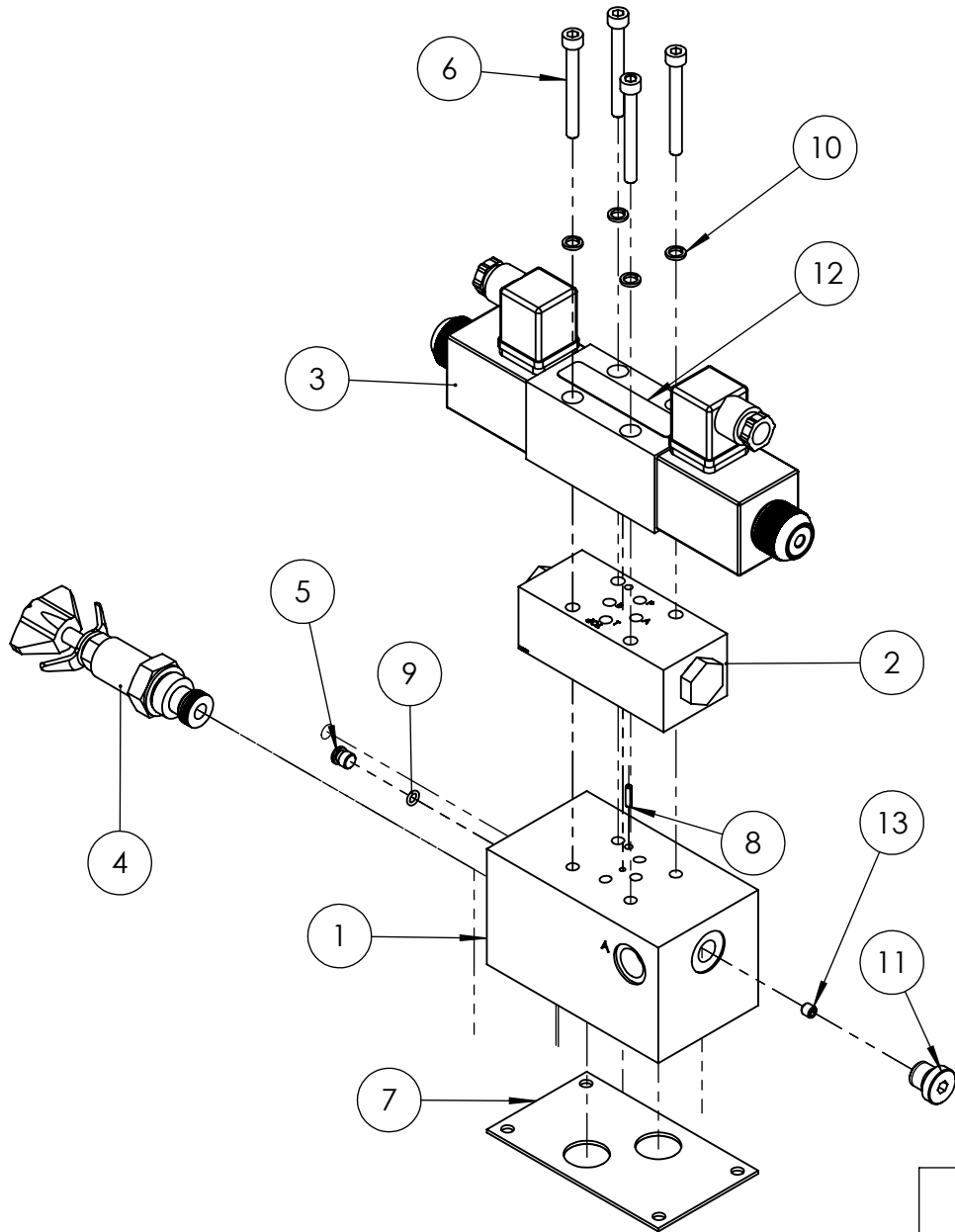
18

19

20

IMPORTANT

WHEN ORDERING SPARES YOU MUST STATE THE FULL PART NUMBER AND THE PRODUCT SERIAL NUMBER - FROM THE LABEL TO PROTECT YOUR WARRANTY ALWAYS USE GENUINE HI-FORCE PARTS.



| ITEM NO. | PART NUMBER | DESCRIPTION | QTY. | SPARE PARTS | REVISION |
|----------|-------------|--|------|-------------|----------|
| 1 | VFC010BN007 | MANIFOLD BLOCK | 1 | | 1 5804 |
| 2 | VA225 | PO CHECK VALVE (5 port) | 1 | | 2 |
| 3 | VFA000CE005 | 4 WAY DIRECTIONAL CONTROL VALVE 24V DC | 1 | | 3 |
| 4 | VRC700ZE002 | ADJUSTABLE RELIEF VALVE | 1 | | 4 |
| 5 | FPC008PM003 | PLUG | 1 | | 5 |
| 6 | BLC006FC055 | 1/4" x 2 1/4" UNC HEX SOCKET CAP HEAD SCREW | 4 | | 6 |
| 7 | SEC002KT013 | MANIFOLD GASKET | 1 | | 7 |
| 8 | PCC003RB006 | Ø3 x 12 mm SELLOCK PIN | 1 | | 8 |
| 9 | SEC008RA002 | O-RING | 1 | | 9 |
| 10 | WAC006BC001 | M6 SPRING ZINC WASHER (SQUARE SECTION) | 4 | | 10 |
| 11 | FPC006PB002 | BLANKING PLUG | 1 | | 11 |
| 12 | HFH108 | HI-FORCE LOGO, 78 x 16 mm WITH ADHESIVE BACK | 1 | | 12 |
| 13 | FAS006ME007 | M6 ORIFICE RESTRICTOR | 1 | | 13 |

IMPORTANT

WHEN ORDERING SPARES YOU MUST STATE THE FULL PART NUMBER AND THE PRODUCT SERIAL NUMBER - FROM THE LABEL TO PROTECT YOUR WARRANTY ALWAYS USE GENUINE HI-FORCE PARTS.