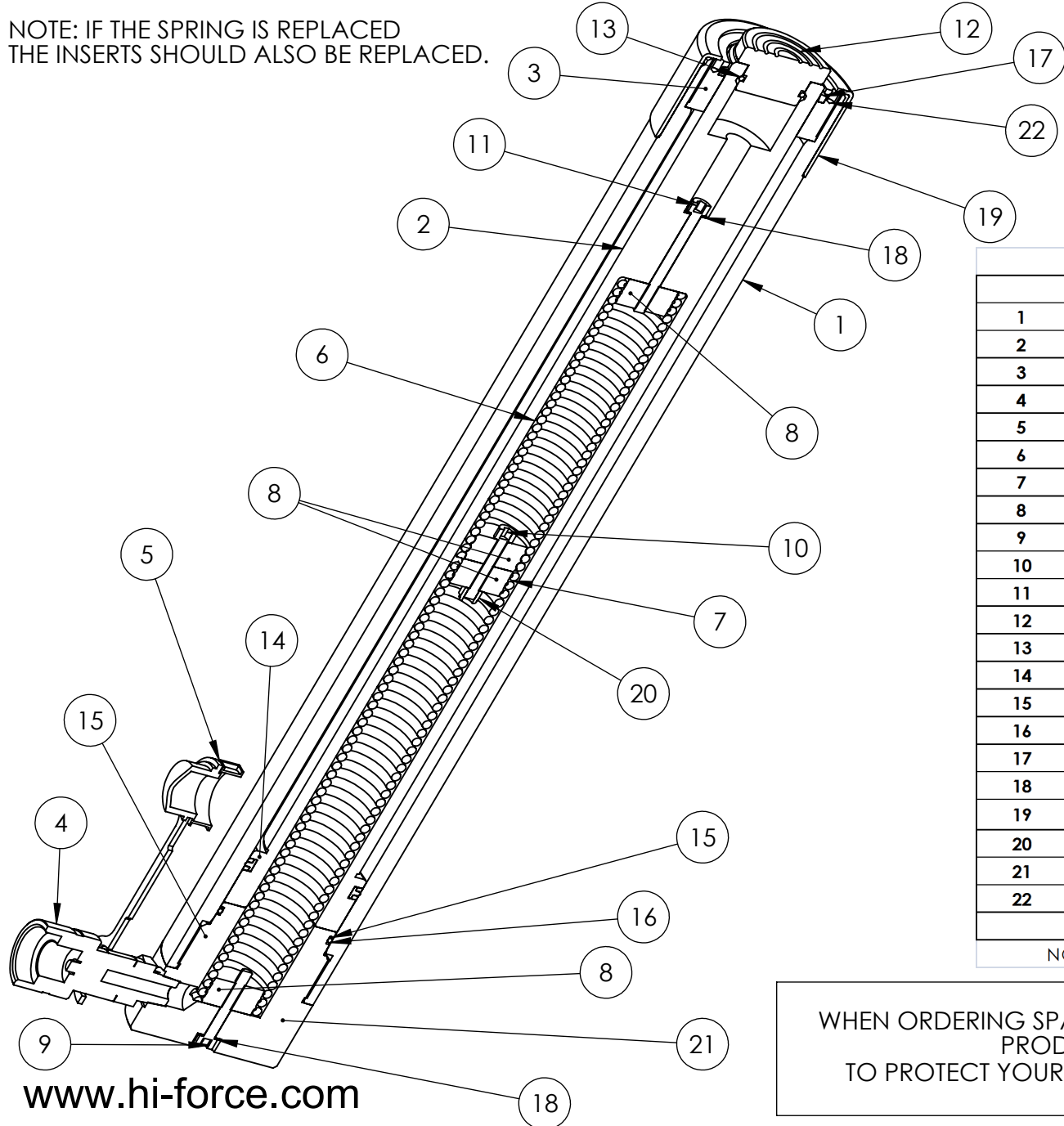


NOTE: IF THE SPRING IS REPLACED  
THE INSERTS SHOULD ALSO BE REPLACED.



	DESCRIPTION	UP TO SERIAL AW4227		FROM SERIAL AW4227	
		QTY	PART NUMBER	QTY	PART NUMBER
1	CYLINDER	1	ZD20672E	1	ZD20672E
2	PISTON	1	PRC067BQ001	1	PRC067BQ002
3	STOP RING	1	SRC054SF001	1	SRC054SF003
4	COUPLER	1	CF1	1	CF1
5	DUST COVER	1	PPC1	1	PPC1
6	SPRING	1	SPC038TH001	1	SPC038TH001
7	SPRING	1	SPC038TM001	1	SPC038TM001
8	INSERT	4	SIC029TC001	4	SIC029TC001
9	SOCKET CAP HEAD SCREW	1	BLC006JD040	1	BLC006JD040
10	SOCKET CAP HEAD SCREW	1	BLC006JD050	1	BLC006JD050
11	SOCKET CAP HEAD SCREW	1	BLC006JC060	1	BLC006JC060
12	SADDLE	1	HA25	1	HA25
13	O-RING	1	X	1	X
14	PISTON SEAL	1	X	1	X
15	BACK UP RING	1	SEC067BA001	1	SEC067BA001
16	O-RING	1	SEC067RA001	1	SEC067RA001
17	WIPER	1	X	1	X
18	WASHER	2	X	2	X
19	THREAD PROTECTOR	1	PTP086TP025	1	PTP086TP025
20	NUT	1	NUC006JC000	1	NUC006JC000
21	END CAP	1	ZD20672F	1	ZD20672F
22	FILTER	/	/	1	FFC004RC001
	<b>SERVICE KIT</b>	<b>1</b>	<b>HSS25TP1-K</b>	<b>1</b>	<b>HSS25TP2-K</b>

NOTE: ITEMS MARKED 'X' ARE ONLY AVAILABLE IN RESPECTIVE SERVICE KITS.

**IMPORTANT**

WHEN ORDERING SPARES YOU MUST STATE THE FULL PART NUMBER AND THE PRODUCT SERIAL NUMBER - FROM THE LABEL TO PROTECT YOUR WARRANTY ALWAYS USE GENUINE HI-FORCE PARTS.