

Prepared by:-	Mark Dalley	Approved by:-	Matthew Hughes	Date: 13/11/12
REV NO:-	002			
ECO:-	3957			

## **INTRODUCTION**

The Hi-Force range of self-contained portable hydraulic wire rope and cable cutters comprise of 3 models: HSWC19, HSWC28 and HSWC44 with cutting capacities from 19 to 44mm diameter. The shear blades are manufactured using high quality tool steel which is heat treated and ground to very tight tolerances ensuring superior performance and long life.

## **SAFETY NOTES**

Always wear suitable personal protection when operating hydraulic equipment.

**DANGER:** Keep all body parts away from cutter and work piece during operation.

**IMPORTANT:** Ensure that the correct size tool is selected for the job.

**IMPORTANT:** Minimum age of operator must be 18 years. The operator must have read and understood all instructions, safety issues, cautions and warnings before starting to operate this equipment.

**WARNING:** Risk of finger trapping. Only hold the tool away from the cutting head.

**WARNING:** Do not overload equipment. Overloading causes equipment failure and possible personal injury.

**CAUTION:** Make sure that all system components are protected from external sources of damage, such as excessive heat, flame, moving machine parts, sharp edges and corrosive chemicals.

**WARNING:** Immediately replace worn or damaged parts with genuine Hi-Force parts.

**WARNING:** Always wear safety glasses and other appropriate personal protection equipment. The operator must take precautions against injury due to failure of the tool or work piece.

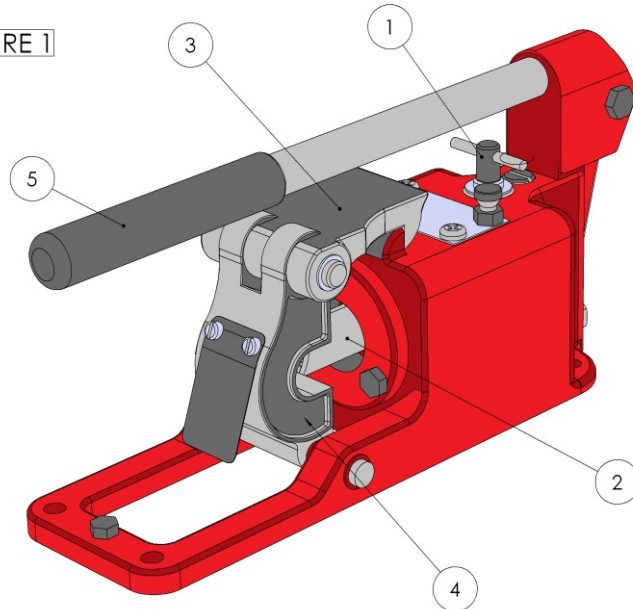
## **OPERATION**

Refer to Figure 1 on page 2.

1. Open Release Valve (1), so blade (2) is at the fully retracted position
2. Raise latch (3) and open Shear Blade Holder (4). Place wire rope in Shear Blade and close Latch. If Latch will not close, Blade is not correctly aligned to Shear Blade Guides or the material to be cut is oversized.
3. Tighten Release Valve (1) and begin working Pump Handle (5) with short but firm strokes. NOTE: Release valve must be tightly closed in order for the cutter to operate.
4. After completing cut, open Release Valve (1) and blade will return to the fully retracted position.
5. If blade does not retract back with Latch closed, pry back with claw bar, screw driver or other tool. Do not pound with a hammer!

Prepared by:-	Mark Dalley	Approved by:-	Matthew Hughes	Date: 13/11/12
REV NO:-	002			
ECO:-	3957			

FIGURE 1



## **SERVICING**

For spare parts please refer to Hi-Force spare parts sheets found at [www.hi-force.com](http://www.hi-force.com).

- If Piston will not retract into cylinder it probably has been burred or damaged so that it will not clear the Piston Collar. File off burrs to permit clearance. Blade should be resharpened on a fine grinding wheel or carborundum stick. DO NOT FILE TO FINE EDGE.
- To add oil, WIPE AWAY ALL LOSE DIRT and remove Release Valve (1). Pour in sufficient oil so that when pumping, the Piston will travel to maximum position. When refilling use only new clean oil.

## **IMPORTANT**

**DO NOT** – Continue to pump after wire has been cut through

**DO NOT** – Continue to operate HSWC Cutter if it requires excessive effort. Hi-Force Hydraulic Wire Rope Cutters will cut any rope up to the maximum size that the Shear Blade will accept, with minimum effort. Hard pumping usually indicates a dull Blade. A SHARP BLADE SELDOM BREAKS.

**DO NOT** – Continue to use a blade that has been reground or resharpened to the extent that the back portion of the cutting edge will not enter the Shear Blade.

Prepared by:-	Mark Dalley	Approved by:-	Matthew Hughes	Date: 13/11/12
REV NO:-	002			
ECO:-	3957			

NOTE(S):-

Prepared by:-	Mark Dalley	Approved by:-	Matthew Hughes	Date: 13/11/12
REV NO:-	002			
ECO:-	3957			

**UK Head Office:**

**Hi-Force Limited  
Prospect Way  
Daventry  
Northamptonshire  
NN11 8PL  
United Kingdom**

**Tel: + 44 1327 301000****Fax: + 44 1327 706555****Email: [daventry@hi-force.com](mailto:daventry@hi-force.com)****Hi-Force Regional Offices:**

**Hi-Force Australia Pty. Ltd  
Rockingham  
Australia  
Tel: +61 8 9591 1288  
Email: [australia@hi-force.com](mailto:australia@hi-force.com)**

**Hi-Force Caspian  
Baku  
Azerbaijan  
Tel: +994 12 447 4100  
Email: [baku@hi-force.com](mailto:baku@hi-force.com)**

**Hi-Force Hydraulics (Asia) S.B  
Selangor  
Malaysia  
Tel: +603 5569 4209  
Email: [malaysia@hi-force.com](mailto:malaysia@hi-force.com)**

**Hi-Force Nederland BV  
Strijen  
Netherlands  
Tel: +31 78 6745488  
Email: [holland@hi-force.com](mailto:holland@hi-force.com)**

**Hi-Force Hydraulics (Pty) Ltd  
Midrand  
South Africa  
Tel: +27 11 314 0555  
Email: [south.africa@hi-force.com](mailto:south.africa@hi-force.com)**

**Hi-Force FZCO  
Dubai  
United Arab Emirates  
Tel: +971 4 815 0600  
Email: [dubai@hi-force.com](mailto:dubai@hi-force.com)**

**Hi-Force Hydraulics  
Abu Dhabi  
United Arab Emirates  
Tel: +971 2 551 3100  
Email: [abu.dhabi@hi-force.com](mailto:abu.dhabi@hi-force.com)**

**Hi-Force Hydraulic Equipment  
(Shanghai) Ltd. Co.  
Shanghai, China  
Tel: +86 21 6697 3010  
Email: [china@hi-force.com](mailto:china@hi-force.com)**

**GLOBAL BRAND. LOCAL SERVICE.****[www.hi-force.com](http://www.hi-force.com)**