

ITEM NO.	PART NUMBER	DESCRIPTION	QTY.	AVAILABLE IN HTWP-SK1 SERVICE KIT	AVAILABLE TO ORDER AS SPARE PART
1	AAN000UP001	60 x 30 mm UNIVERSAL NAME PLATE	1		
2	BLC005HH010	BUTTON HEAD SCREW	2		
3	BLC005HH016	BUTTON HEAD SCREW	10		
4	BLC008KD040	SOCKET CAP HD SCREW	4		
5	BLC008KD016	SOCKET CAP HD SCREW	8		
6	BLC008KD020	SOCKET CAP HD SCREW	4		
7	BPC020SP001	FILLER	1		✓
8	BS200X43	200 x 43 mm HI-FORCE BRANDING STICKER	2		
9	DCSF00328	DOUBLE SIDED MAGNET	1		
10	FAS002HZ001	NO.4 x 3/16 BRASS HAMMER DRIVE SCREW	2		
11	FPC013PC001	12" BSPT HEX SOCKET PLUG	1		
12	FPC020AM002	BARREL	1		
13	FPC020AM003	EXTENSION TUBE	1		✓
14	HOC002AP003	GAUGE FITTING	1		✓
15	NUC005WA001	M5 NUT	2		
16	NUC008KC000	M8 NYLOCK NUT	4		
17	NUC020LB000	LOCK NUT	2		
18	PG2G	PRESSURE GAUGE	1		✓
19	CF4F	COUPLER	1		
20	CM4F	COUPLER	1		
21	FFC045MZ001	FILTER	1		
22	FPC002PN001	1/16" x 7/8" NPT SOCKET PLUG	1		
23	FPC006DB001	FITTING	2		
24	FPC006QB003	ADAPTOR	1		
25	FPC006YN001	MALE CONNECTOR 1/4" NPT x 10mm	2		
26	FPC010TB001	TEE	1		
27	FPC010YN001	MALE STUD COUPLER	1		
28	FPC013BA001	REDUCER	1		
29	HF27	M/M ADAPTOR	2		
30	HOC006PS019	PRE BENT TUBE	1		

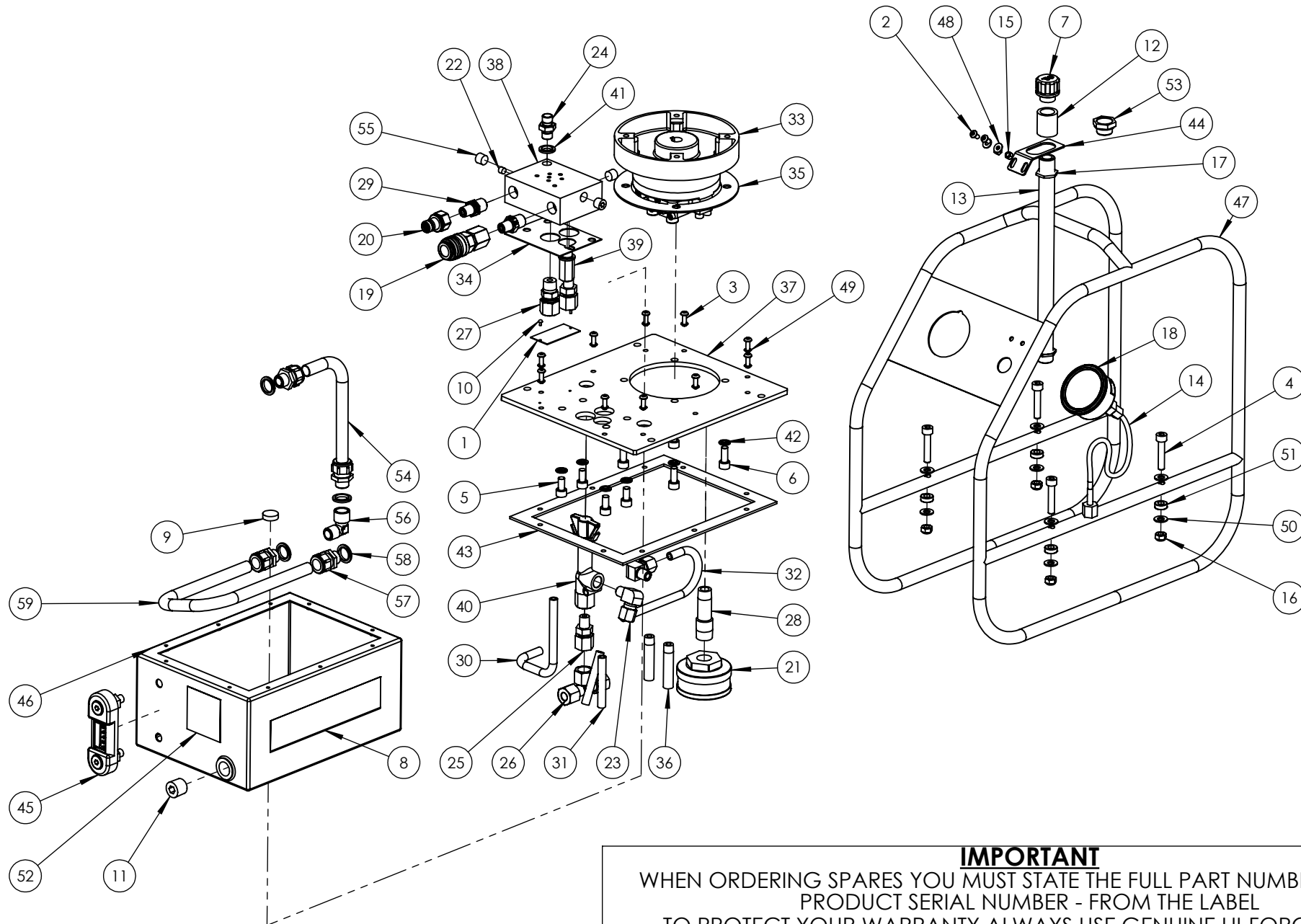
ITEM NO.	PART NUMBER	DESCRIPTION	QTY.	AVAILABLE IN HTWP-SK1 SERVICE KIT	AVAILABLE TO ORDER AS SPARE PART
31	HOC006PS020	TUBE	2		
32	HOC006PS021	PRE BENT TUBE	1		
33	PMC014CF002	PUMP HEART	1		✓
34	SEC001KT004	GASKET	1	✓	
35	SEC002KT014	PUMP GASKET	1	✓	
36	TAC000PP001	RETURN PIPE	2		
37	TAC005BR004	TANK LID	1		
38	VFC010RD012	MANIFOLD BLOCK	1		
39	VRA700AF002	RELIEF VALVE	1		✓
40	VRC700ZE001	ADJ PRESSURE REL VALVE	1		✓
41	WAC007HD000	1/4" BSP SELF CENTERING BONDED WASHER	1	✓	
42	WAC008KD000	DOWTY WASHER	8	✓	
43	SEC003KT009	TANK GASKET	1	✓	
44	SFC030HA001	FILLER BRACKET	1		
45	TAC000FT006	LEVEL TEMP GAUGE	1		✓
46	TAC005AR002	TANK	1		✓
47	TAC005CS001	WELDED ROLL FRAME	1		✓
48	WAC005AB001	WASHER M5	2		
49	WAC005EC001	M5 COPPER WASHER	10	✓	
50	WAC008AB000	M8 PLAIN WASHER	12		
51	WAC008RH001	M8 SADDLE WASHER FOR 16MM TUBE	4		
52	SS60X60	SAFETY STICKER 100 X 100 mm	1		
53	BPC020SP002	FILLER PLUG	1		
54	HOC015PC002	EXHAUST PIPE	1		
55	FPC006PN002	PLUG	3		
56	FPC010FZ001	ELBOW CONNECTOR	2		
57	FPC010LK001	MALE CONNECTOR	4		
58	WAC010HD000	DOWTY WASHER	4		
59	HOC015PC006	EXHAUST PIPE	1		

REVISION

1	
2	5601
3	
4	
5	
6	
7	
8	
9	
10	
11	
12	
13	
14	
15	
16	
17	
18	
19	
20	

NOTE:
HTWP-SK1 BOM REFER TO SHEET 4

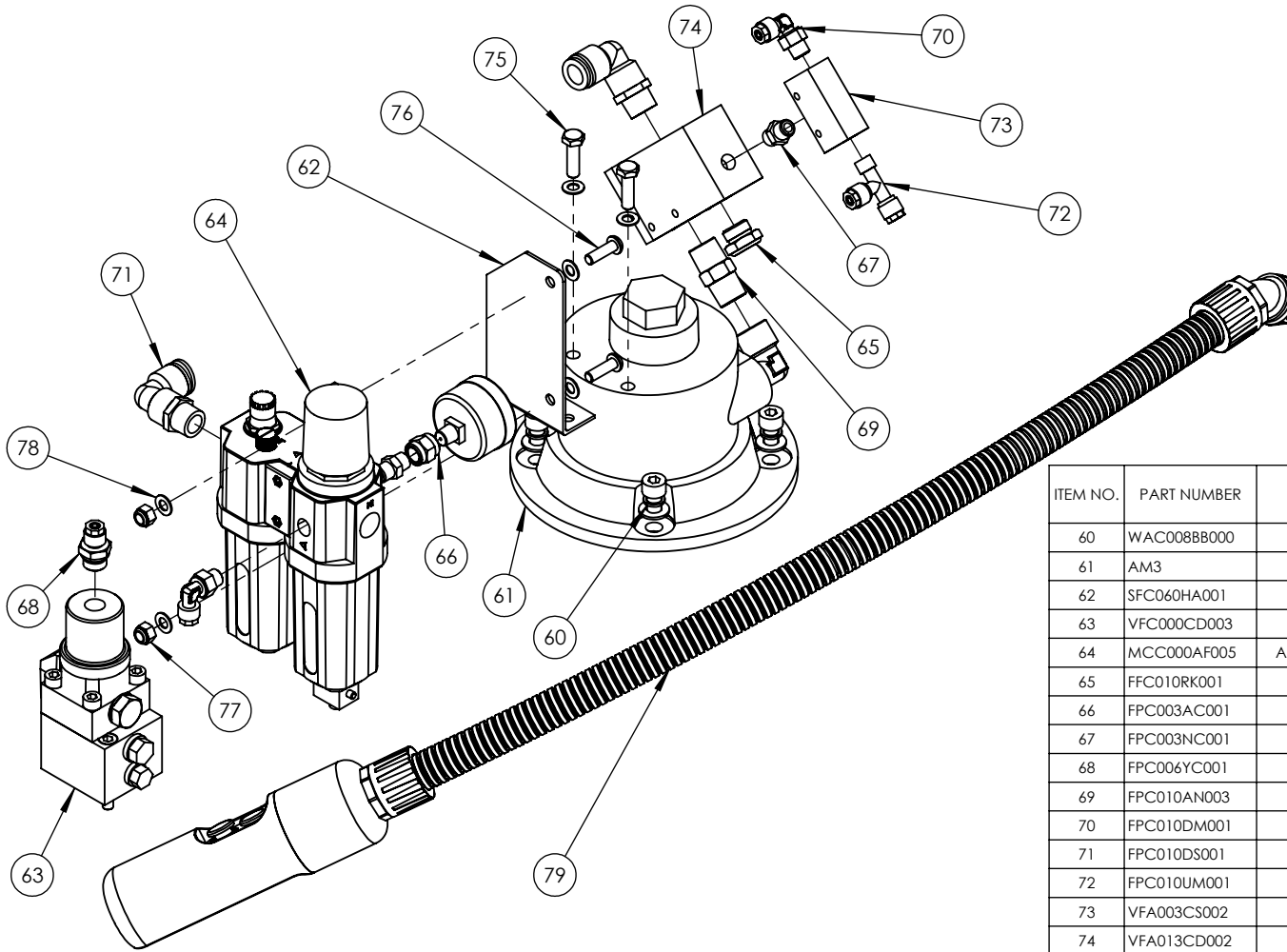
IMPORTANT
WHEN ORDERING SPARES YOU MUST STATE THE FULL PART NUMBER AND THE PRODUCT SERIAL NUMBER - FROM THE LABEL TO PROTECT YOUR WARRANTY ALWAYS USE GENUINE HI-FORCE PARTS.



REVISION

1	
2	5601
3	
4	
5	
6	
7	
8	
9	
10	
11	
12	
13	
14	
15	
16	
17	
18	
19	
20	

IMPORTANT
WHEN ORDERING SPARES YOU MUST STATE THE FULL PART NUMBER AND THE PRODUCT SERIAL NUMBER - FROM THE LABEL TO PROTECT YOUR WARRANTY ALWAYS USE GENUINE HI-FORCE PARTS.



ITEM NO.	PART NUMBER	DESCRIPTION	QTY.	AVAILABLE IN HTWP-SK1 SERVICE KIT	AVAILABLE TO ORDER AS SPARE PART
60	WAC008BB000	M8 SPRING WASHER	4		
61	AM3	MOTOR	1		✓
62	SFC060HA001	BRACE	1		
63	VFC000CD003	4/2 VALVE	1		✓
64	MCC000AF005	AIR REGULATOR/LUBRICATOR	1		✓
65	FFC010RK001	SILENCER	1		
66	FPC003AC001	SOCKET	1		
67	FPC003NC001	NIPPLE	2		
68	FPC006YC001	STUD COUPLING (AIR)	1		
69	FPC010AN003	ADAPTOR	1		
70	FPC010DM001	STUD ELBOW (AIR)	2		
71	FPC010DS001	CONNECTOR	2		
72	FPC010UM001	TEE	1		
73	VFA003CS002	SHUTTLE VALVE	1		✓
74	VFA013CD002	PILOT OPERATED VALVE	1		✓
75	BLC006ZA001	BOLT	2		
76	BLC006JH020	BUTTON HEAD SCREW	2		
77	NUC006JC000	NYLOK NUT	2		
78	WAC006AF000	WASHER	6		
79	VFA003BH003	AIR PENDANT ASSEMBLY	1		✓

REVISION

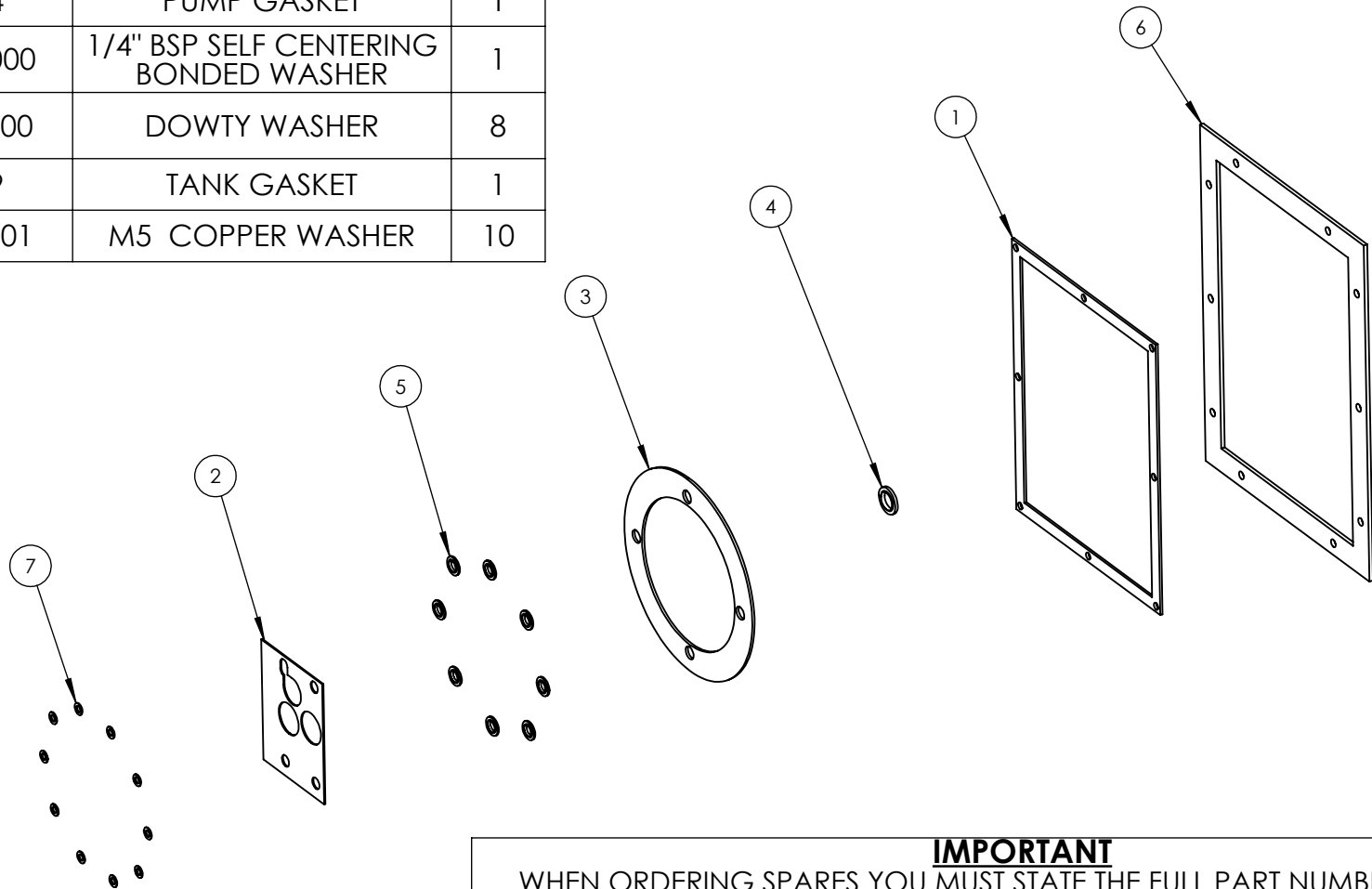
1	
2	5601
3	
4	
5	
6	
7	
8	
9	
10	
11	
12	
13	
14	
15	
16	
17	
18	
19	
20	

IMPORTANT

WHEN ORDERING SPARES YOU MUST STATE THE FULL PART NUMBER AND THE PRODUCT SERIAL NUMBER - FROM THE LABEL TO PROTECT YOUR WARRANTY ALWAYS USE GENUINE HI-FORCE PARTS.

HTWP-SK1 SERVICE KIT

ITEM NO.	PART NUMBER	DESCRIPTION	QTY.
1	SEC002KT015	ENCLOSURE GASKET	1
2	SEC001KT004	GASKET	1
3	SEC002KT014	PUMP GASKET	1
4	WAC007HD000	1/4" BSP SELF CENTERING BONDED WASHER	1
5	WAC008KD000	DOWTY WASHER	8
6	SEC003KT009	TANK GASKET	1
7	WAC005EC001	M5 COPPER WASHER	10



REVISION

1	
2	5601
3	
4	
5	
6	
7	
8	
9	
10	
11	
12	
13	
14	
15	
16	
17	
18	
19	
20	

IMPORTANT

WHEN ORDERING SPARES YOU MUST STATE THE FULL PART NUMBER AND THE PRODUCT SERIAL NUMBER - FROM THE LABEL TO PROTECT YOUR WARRANTY ALWAYS USE GENUINE HI-FORCE PARTS.