

ITEM NO.	PART NUMBER	DESCRIPTION	QTY.	AVAILABLE IN HTWP-SK1 SERVICE KIT
1	AAN000UP001	60 x 30 mm UNIVERSAL NAME PLATE	1	
2	BLC005HH010	BUTTON HEAD SCREW	2	
3	BLC005HH016	BUTTON HEAD SCREW	10	
4	BLC008KD040	SOCKET CAP HD SCREW	4	
5	BLC008KD016	SOCKET CAP HD SCREW	4	
6	BLC008KD020	M8 x 20 mm HEX SOCKET CAP HEAD SCREW	4	
7	BPC020SP001	FILLER	1	
8	BS200X43	200 x 43 mm HI-FORCE BRANDING STICKER	2	
9	DCSF00328	DOUBLE SIDED MAGNET	1	
10	EMA110MD001	110V MOTOR ASSEMBLY	1	
11	FAS002HZ001	NO.4 x 3/16 HAMMER DRIVE SCREW	2	
12	FPC010PN002	3/8" X 7/8" NPT SOCKET PLUG	2	
13	FPC013PC001	1/2" BSP PLUG - HEX SOCKET	1	
14	FPC020AM002	BARREL	1	
15	FPC020AM003	EXTENSION TUBE	1	
16	FPC006WB001	1/4BSP X 6MM FEM STUD COUPLER	1	
17	NUC005WA001	M5 NUT	2	
18	NUC008KA000	FULL NUT	4	
19	NUC008KC000	M8 NYLOC NUT	4	
20	NUC020LB000	LOCK NUT	2	
21	PG2G	PRESSURE GAUGE	1	
22	BLC008ST000	M8X35MM ENGINEERING STUD	4	
23	CF4F	COUPLER	1	
24	CM4F	COUPLER	1	
25	FFC045MZ001	FILTER	1	
26	FPC002PN001	1/16" x 7/8" NPT SOCKET PLUG	7	
27	FPC006DB001	FITTING	2	
28	FPC006YB001	STUD COUPLING	1	
29	FPC006YN001	MALE CONNECTOR 1/4" NPT x 10mm	2	
30	FPC010TB001	TEE	1	

ITEM NO.	PART NUMBER	DESCRIPTION	QTY.	AVAILABLE IN HTWP-SK1 SERVICE KIT
31	FPC010YN001	MALE STUD COUPLER	1	
32	FPC013BA001	REDUCER	1	
33	HF27	M/M ADAPTOR	2	
34	HOC006PS019	PRE BENT TUBE	1	
35	HOC006PS020	TUBE	2	
36	HOC006PS021	PRE BENT TUBE	1	
37	PMC014CF002	PUMP HEART	1	
38	SEC001KT004	GASKET	1	✓
39	SEC002KT014	PUMP GASKET	1	✓
40	TAC000PP001	RETURN PIPE	2	
41	TAC005BR004	TANK LID	1	
42	VFC000CD005	2/2 VALVE	1	
43	VFC000CD008	4/2 VALVE	1	
44	VFC010RD011	SUB PLATE	1	
45	VRA700AF002	RELIEF VALVE	1	
46	VRC700ZE001	ADJ PRESSURE REL VALVE	1	
47	WAC007HD000	1/4" BSP SELF CENTERING BONDED WASHER	1	✓
48	WAC008KD000	DOWTY WASHER	8	✓
49	SEC003KT009	TANK GASKET	1	✓
50	SFC030HA001	FILLER BRACKET	1	
51	TAC000FT006	LEVEL TEMP GAUGE	1	
52	TAC005AR002	TANK	1	
53	TAC005CS001	WELDED ROLL FRAME	1	
54	WAC005AB001	WASHER M5	2	
55	WAC005SEC001	M5 X 9 X 1.0 COPPER SEALING WASHER	10	✓
56	WAC008AB000	M8 PLAIN WASHER	12	
57	WAC008BB000	M8 ZINC PLATED SPRING WASHER	4	
58	WAC008RH001	M8 SADDLE WASHER FOR 16MM TUBE	4	
59	SS60X60	SAFETY STICKER 100 X 100 mm	1	
60	BPC020SP002	FILLER PLUG	1	

REVISION

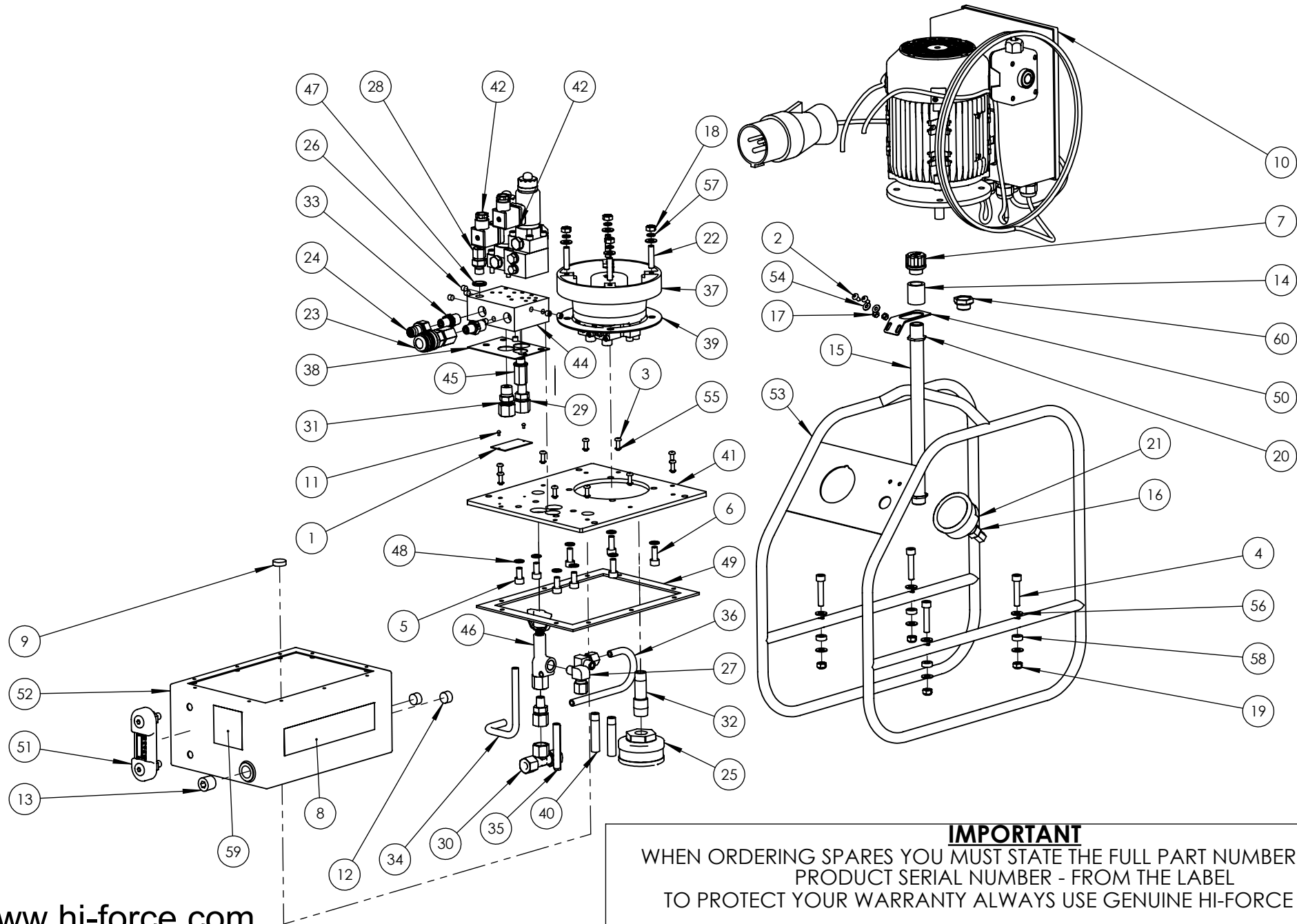
1	5227
2	5601
3	6070
4	
5	
6	
7	
8	
9	
10	
11	
12	
13	
14	
15	
16	
17	
18	
19	
20	

NOTE:

EMA110MD001 BOM REFER TO SHEET 3

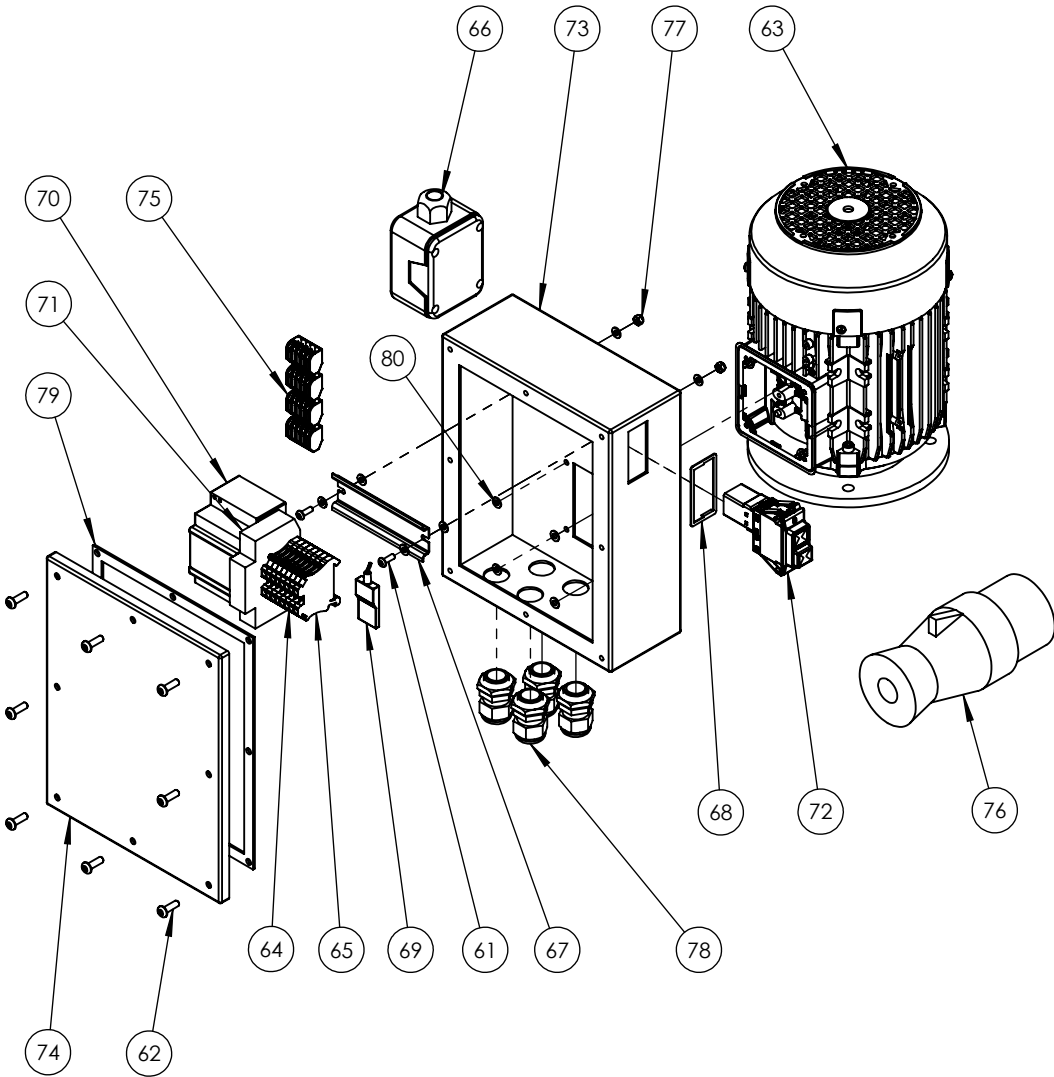
HTWP-SK1 BOM REFER TO SHEET 4

IMPORTANT
WHEN ORDERING SPARES YOU MUST STATE THE FULL PART NUMBER AND THE PRODUCT SERIAL NUMBER - FROM THE LABEL TO PROTECT YOUR WARRANTY ALWAYS USE GENUINE HI-FORCE PARTS.



REVISION

1	5227
2	5601
3	6070
4	
5	
6	
7	
8	
9	
10	
11	
12	
13	
14	
15	
16	
17	
18	
19	
20	



ITEM NO.	PART NUMBER	DESCRIPTION	QTY.	AVAILABLE IN HTWP-SK1 SERVICE KIT
61	BLC004-H012	M4 x 12mm HEX SOCKET BUTTON HEAD SCREW	2	
62	BLC005HH016	BUTTON HEAD SCREW	8	
63	EM110-0.75-4LAF	MOTOR WITH BOX REMOVED	1	
64	EMC000NZ001	TERMINAL BLOCK	7	
65	EMC000NZ002	EARTH TERMINAL BLOCK	1	
66	EMC000VZ003	PENDANT	1	
67	EMC000XZ001	DIN RAIL	1	
68	EMC000XZ002	CIRCUIT BREAKER SPACER	1	
69	EMC024CA001	DELAY TIMER	1	
70	EMC024TB001	POWER SUPPLY 24 V DC	1	
71	EMC110DZ001	HOUR TIMER	1	
72	EMC110UE001	3120 OVERLOAD	1	
73	EMC240EZ001	ENCLOSURE BOX	1	
74	EMC240EZ002	ENCLOSURE LID	1	
75	EMC400NG001	Wago 5-way lever connector 222 series	4	
76	MCC110EP001	110V PLUG	1	
77	NUC004VC000	NUT	2	
78	NUC020LS002	GLAND 6-12MM	4	
79	SEC002KT015	ENCLOSURE GASKET	1	✓
80	WAC004FS000	NYLON WASHER	10	

REVISION

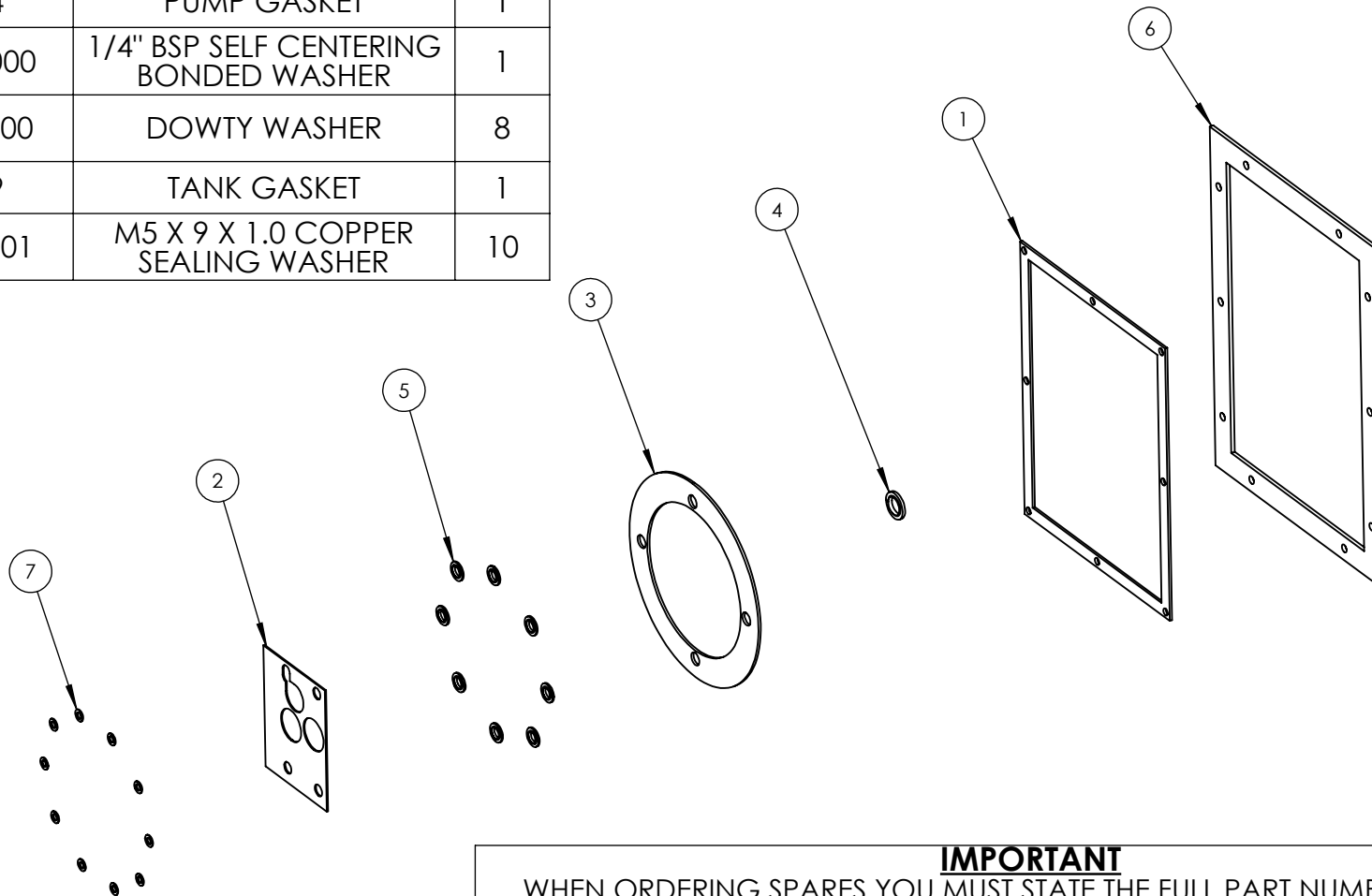
1	5227
2	5601
3	6070
4	
5	
6	
7	
8	
9	
10	
11	
12	
13	
14	
15	
16	
17	
18	
19	
20	

IMPORTANT

WHEN ORDERING SPARES YOU MUST STATE THE FULL PART NUMBER AND THE PRODUCT SERIAL NUMBER - FROM THE LABEL TO PROTECT YOUR WARRANTY ALWAYS USE GENUINE HI-FORCE PARTS.

HTWP-SK1 SERVICE KIT

ITEM NO.	PART NUMBER	DESCRIPTION	QTY.
1	SEC002KT015	ENCLOSURE GASKET	1
2	SEC001KT004	GASKET	1
3	SEC002KT014	PUMP GASKET	1
4	WAC007HD000	1/4" BSP SELF CENTERING BONDED WASHER	1
5	WAC008KD000	DOWTY WASHER	8
6	SEC003KT009	TANK GASKET	1
7	WAC005EC001	M5 X 9 X 1.0 COPPER SEALING WASHER	10



REVISION

1	5227
2	5601
3	6070
4	
5	
6	
7	
8	
9	
10	
11	
12	
13	
14	
15	
16	
17	
18	
19	
20	

IMPORTANT
WHEN ORDERING SPARES YOU MUST STATE THE FULL PART NUMBER AND THE PRODUCT SERIAL NUMBER - FROM THE LABEL TO PROTECT YOUR WARRANTY ALWAYS USE GENUINE HI-FORCE PARTS.