

ITEM NO.	PART NUMBER	DESCRIPTION	QTY.	AVAILABLE IN HTWP-SK1 SERVICE KIT	AVAILABLE TO ORDER AS SPARE PART
1	AAN000UP001	60 x 30 mm UNIVERSAL NAME PLATE	1		
2	BLC005HH010	BUTTON HEAD SCREW	2		
3	BLC005HH016	BUTTON HEAD SCREW	10		
4	BLC008KD040	SOCKET CAP HD SCREW	4		
5	BLC008KD016	SOCKET CAP HD SCREW	4		
6	BLC008KD020	SOCKET CAP HD SCREW	4		
7	BPC020SP001	FILLER	1		✓
8	BS200X43	200 x 43 mm HI-FORCE BRANDING STICKER	2		
9	DCSF00328	DOUBLE SIDED MAGNET	1		
10	EMA110MD001	110V MOTOR ASSEMBLY	1		✓
11	FAS002HZ001	NO.4 x 3/16 BRASS HAMMER DRIVE SCREW	2		
12	FPC010PN002	3/8" X 7/8" NPT SOCKET PLUG	2		
13	FPC013PC001	12" BSPT HEX SOCKET PLUG	1		
14	FPC020AM002	BARREL	1		
15	FPC020AM003	EXTENSION TUBE	1		✓
16	HOC002AP003	GAUGE FITTING	1		✓
17	NUC005WA001	M5 NUT	2		
18	NUC008KA000	FULL NUT	4		
19	NUC008KC000	M8 NYLOCK NUT	4		
20	NUC020LB000	LOCK NUT	2		
21	PG2G	PRESSURE GAUGE	1		✓
22	BLC008ST000	M8X35MM ENGINEERING STUD	4		
23	CF4F	COUPLER	1		
24	CM4F	COUPLER	1		
25	FFC045MZ001	FILTER	1		
26	FPC002PN001	1/16" x 7/8" NPT SOCKET PLUG	7		
27	FPC006DB001	FITTING	2		
28	FPC006QB003	ADAPTOR	1		
29	FPC006YN001	MALE CONNECTOR 1/4" NPT x 10mm	2		
30	FPC010TB001	TEE	1		

ITEM NO.	PART NUMBER	DESCRIPTION	QTY.	AVAILABLE IN HTWP-SK1 SERVICE KIT	AVAILABLE TO ORDER AS SPARE PART
31	FPC010YN001	MALE STUD COUPLER	1		
32	FPC013BA001	REDUCER	1		
33	HF27	M/M ADAPTOR	2		
34	HOC006PS019	PRE BENT TUBE	1		
35	HOC006PS020	TUBE	2		
36	HOC006PS021	PRE BENT TUBE	1		
37	PMC014CF002	PUMP HEART	1		✓
38	SEC001KT004	GASKET	1	✓	
39	SEC002KT014	PUMP GASKET	1	✓	
40	TAC000PP001	RETURN PIPE	2		
41	TAC005BR004	TANK LID	1		
42	VFC000CD005	2/2 VALVE	1		✓
43	VFC000CD008	4/2 VALVE ASSY	1		✓
44	VFC010RD011	SUB PLATE	1		
45	VRA700AF002	RELIEF VALVE	1		✓
46	VRC700ZE001	ADJ PRESSURE REL VALVE	1		✓
47	WAC007HD000	1/4" BSP SELF CENTERING BONDED WASHER	1	✓	
48	WAC008KD000	DOWTY WASHER	8	✓	
49	SEC003KT009	TANK GASKET	1	✓	
50	SFC030HA001	FILLER BRACKET	1		
51	TAC000FT006	LEVEL TEMP GAUGE	1		✓
52	TAC005AR002	TANK	1		✓
53	TAC005CS001	WELDED ROLL FRAME	1		✓
54	WAC005AB001	WASHER M5	2		
55	WAC005EC001	M5 COPPER WASHER	10	✓	
56	WAC008AB000	M8 PLAIN WASHER	12		
57	WAC008BB000	M8 SPRING WASHER	4		
58	WAC008RH001	M8 SADDLE WASHER FOR 16MM TUBE	4		
59	SS60X60	SAFETY STICKER 100 X 100 mm	1		
60	BPC020SP002	FILLER PLUG	1		

REVISION

1	5227
2	5601
3	
4	
5	
6	
7	
8	
9	
10	
11	
12	
13	
14	
15	
16	
17	
18	
19	
20	

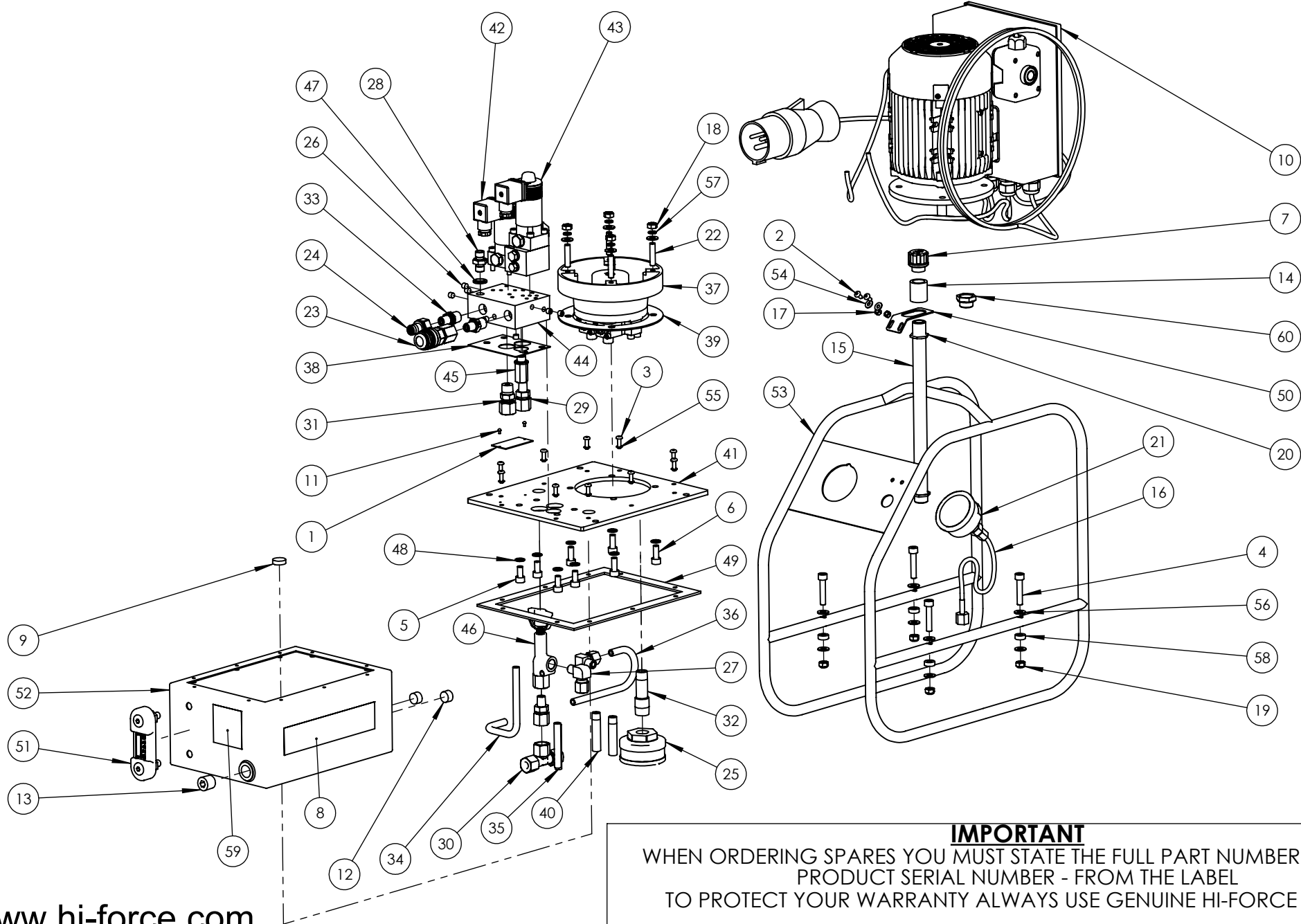
NOTE:

EMA110MD001 BOM REFER TO SHEET 3

HTWP-SK1 BOM REFER TO SHEET 4

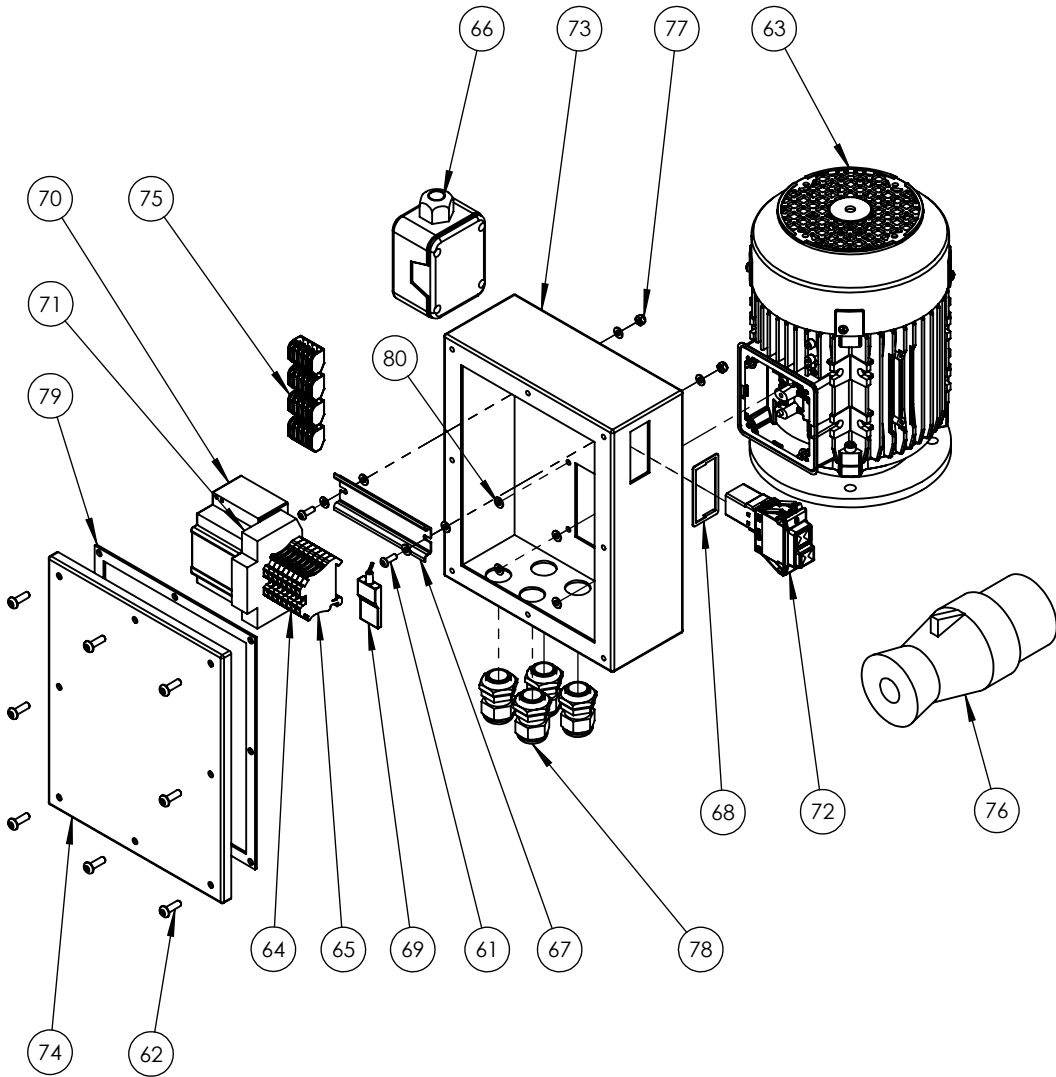
**IMPORTANT**

WHEN ORDERING SPARES YOU MUST STATE THE FULL PART NUMBER AND THE PRODUCT SERIAL NUMBER - FROM THE LABEL TO PROTECT YOUR WARRANTY ALWAYS USE GENUINE HI-FORCE PARTS.



REVISION	
1	5227
2	5601
3	
4	
5	
6	
7	
8	
9	
10	
11	
12	
13	
14	
15	
16	
17	
18	
19	
20	

**IMPORTANT**  
WHEN ORDERING SPARES YOU MUST STATE THE FULL PART NUMBER AND THE PRODUCT SERIAL NUMBER - FROM THE LABEL TO PROTECT YOUR WARRANTY ALWAYS USE GENUINE HI-FORCE PARTS.



ITEM NO.	PART NUMBER	DESCRIPTION	QTY.	AVAILABLE IN HTWP-SK1 SERVICE KIT	AVAILABLE TO ORDER AS SPARE PART
61	BLC004-H012	BUTTON HEAD SCREW	2		
62	BLC005HH016	BUTTON HEAD SCREW	8		
63	EM110-0.75-4LAF	MOTOR WITH BOX REMOVED	1		
64	EMC000NZ001	TERMINAL BLOCK	7		
65	EMC000NZ002	EARTH TERMINAL BLOCK	1		
66	EMC000VZ003	PENDANT	1		✓
67	EMC000XZ001	DIN RAIL	1		
68	EMC000XZ002	CIRCUIT BREAKER SPACER	1		
69	EMC024CA001	DELAY TIMER	1		✓
70	EMC024TB001	POWER SUPPLY 24 V DC	1		✓
71	EMC110DZ001	HOUR TIMER	1		
72	EMC110UE001	3120 OVERLOAD	1		✓
73	EMC240EZ001	ENCLOSURE BOX	1		
74	EMC240EZ002	ENCLOSURE LID	1		
75	EMC400NG001	Wago 5-way lever connector 222 series	4		
76	MCC110EP002	110V PLUG	1		
77	NUC004VC000	NUT	2		
78	NUC020LS002	GLAND 6-12MM	4		
79	SEC002KT015	ENCLOSURE GASKET	1		✓
80	WAC004FS000	NYLON WASHER	10		

REVISION

1 5227

2 5601

3

4

5

6

7

8

9

10

11

12

13

14

15

16

17

18

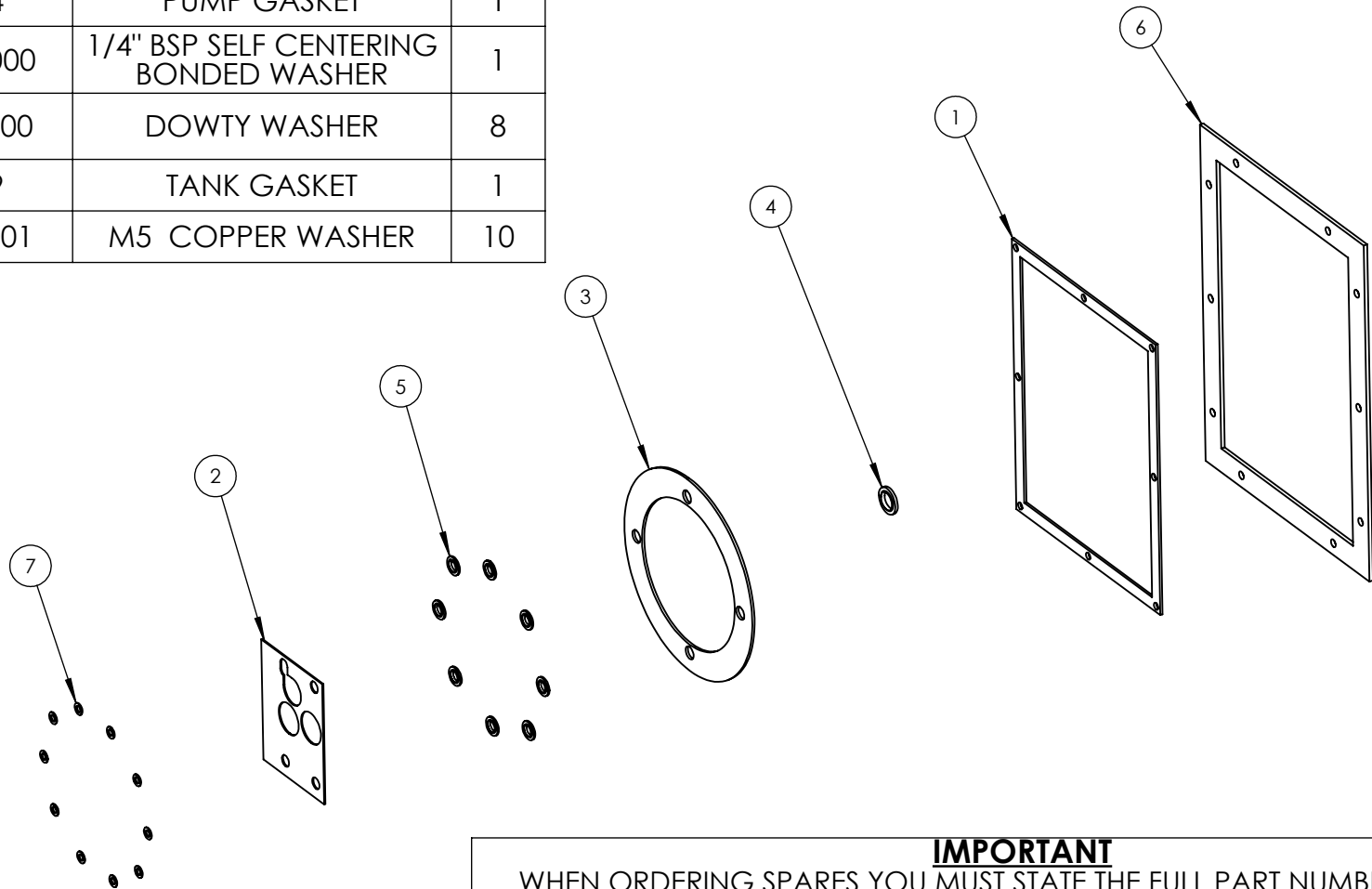
19

20

**IMPORTANT**  
WHEN ORDERING SPARES YOU MUST STATE THE FULL PART NUMBER AND THE PRODUCT SERIAL NUMBER - FROM THE LABEL TO PROTECT YOUR WARRANTY ALWAYS USE GENUINE HI-FORCE PARTS.

HTWP-SK1 SERVICE KIT

ITEM NO.	PART NUMBER	DESCRIPTION	QTY.
1	SEC002KT015	ENCLOSURE GASKET	1
2	SEC001KT004	GASKET	1
3	SEC002KT014	PUMP GASKET	1
4	WAC007HD000	1/4" BSP SELF CENTERING BONDED WASHER	1
5	WAC008KD000	DOWTY WASHER	8
6	SEC003KT009	TANK GASKET	1
7	WAC005EC001	M5 COPPER WASHER	10



REVISION

1	5227
<b>2</b>	5601
3	
4	
5	
6	
7	
8	
9	
10	
11	
12	
13	
14	
15	
16	
17	
18	
19	
20	

**IMPORTANT**  
WHEN ORDERING SPARES YOU MUST STATE THE FULL PART NUMBER AND THE PRODUCT SERIAL NUMBER - FROM THE LABEL TO PROTECT YOUR WARRANTY ALWAYS USE GENUINE HI-FORCE PARTS.