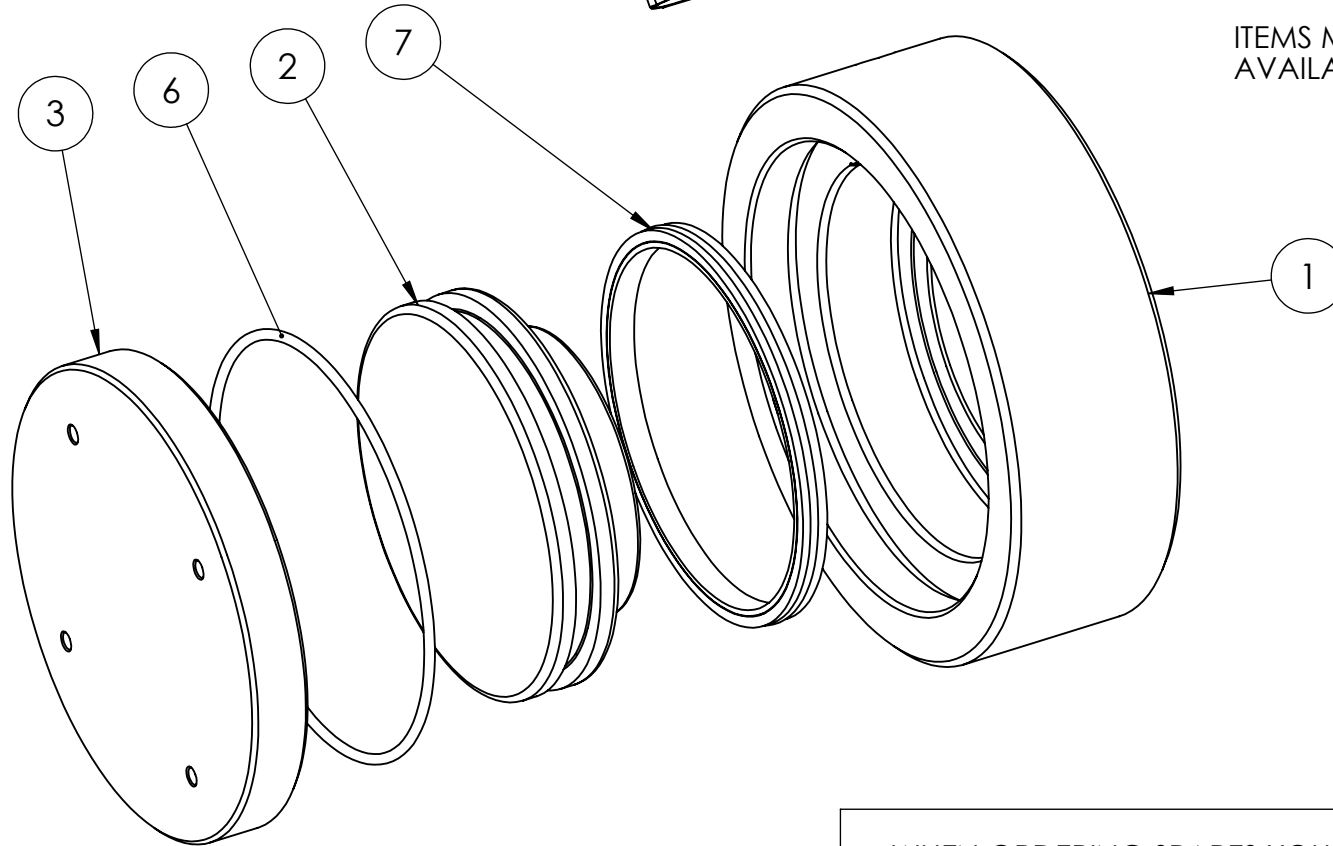


| ITEM NO. | PART NUMBER | DESCRIPTION | QTY |
|----------|-------------|-------------|-----|
| 1 | CBC137NA001 | CYLINDER | 1 |
| 2 | PRC137SA001 | PISTON | 1 |
| 3 | CPC137AP001 | BASE PLATE | 1 |
| 4 | CF1 | COUPLER | 1 |
| 5 | PPC1 | DUST COVER | 1 |
| 6 | X | O - RING | 1 |
| 7 | X | PISTON SEAL | 1 |

ITEMS MARKED 'X'
AVAILABLE IN HVL100TP1-K ONLY



| REVISION |
|----------|
| 1 3956 |
| 2 |
| 3 |
| 4 |
| 5 |
| 6 |
| 7 |
| 8 |
| 9 |
| 10 |
| 11 |
| 12 |
| 13 |
| 14 |
| 15 |
| 16 |
| 17 |
| 18 |
| 19 |
| 20 |

IMPORTANT
WHEN ORDERING SPARES YOU MUST STATE THE FULL PART NUMBER AND THE PRODUCT SERIAL NUMBER - FROM THE LABEL TO PROTECT YOUR WARRANTY ALWAYS USE GENUINE HI-FORCE PARTS.