

**IS | BUSSOLE ESAGONALI IMPACT - MISURE IN POLLICI**

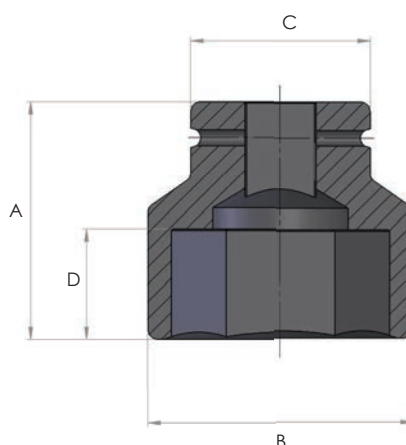


- Bussole impact di alta qualità
- Adatte per l'uso con chiavi idrauliche TWS-N, moltiplicatori TWG e TWP, e avvitatori ad impulso IP
- Bussole lunghe, poligonali e speciali disponibili a richiesta

Attacchi quadri da 3/4" a 2 1/2"

Esagoni femmina fino a 6 7/8"

Fornite complete di spina ed anello



Modello	Attacco quadro	Dado AF (pollici)	Dimensioni (mm)			
			A	B	C	D
IS2-101	3/4"	1 1/16"	52	40	38	19
IS2-104	3/4"	1 1/4"	52	44	44	22
IS2-107	3/4"	1 7/16"	56	51	44	25
IS2-110	3/4"	1 5/8"	62	58	44	27
IS2-113	3/4"	1 13/16"	68	67	44	30
IS2-200	3/4"	2"	72	71	54	32
IS2-203	3/4"	2 3/16"	74	77	54	35
IS2-206	3/4"	2 3/8"	75	84	54	37
IS9-101	1"	1 1/16"	58	44	51	19
IS9-104	1"	1 1/4"	60	51	51	22
IS9-107	1"	1 7/16"	62	56	52	25
IS9-110	1"	1 5/8"	62	61.5	52	27
IS9-113	1"	1 13/16"	64	68	58	30
IS9-200	1"	2"	70	74	58	35
IS9-203	1"	2 3/16"	72	80	62	35
IS9-206	1"	2 3/8"	78	87	62	42
IS9-209	1"	2 7/16"	80	93	62	42
IS9-212	1"	2 3/4"	96	100	62	42
IS9-215	1"	2 15/16"	98	105	86	45
IS9-302	1"	3 1/8"	100	111	86	48
IS9-308	1"	3 1/2"	105	124	86	52
IS9-314	1"	3 7/8"	115	135	86	58
IS5-113	1 1/2"	1 13/16"	84	76	86	30
IS5-200	1 1/2"	2"	87	82	86	32

Modello	Attacco quadro	Dado AF (pollici)	Dimensioni (mm)			
			A	B	C	D
IS5-203	1 1/2"	2 3/16"	90	88	86	37
IS5-206	1 1/2"	2 3/8"	95	94	86	39
IS5-209	1 1/2"	2 7/16"	100	100	86	46
IS5-212	1 1/2"	2 3/4"	105	106	86	46
IS5-215	1 1/2"	2 15/16"	108	112	86	49
IS5-302	1 1/2"	3 1/8"	115	118	86	53
IS5-308	1 1/2"	3 1/2"	123	129	86	59
IS5-314	1 1/2"	3 7/8"	130	144	95	65
IS5-404	1 1/2"	4 1/4"	135	154	95	72
IS5-410	1 1/2"	4 5/8"	140	163	95	77
IS5-500	1 1/2"	5"	145	177	127	80
IS5-506	1 1/2"	5 3/8"	150	194	127	85
IS6-302	2 1/2"	3 1/8"	140	124	127	45
IS6-308	2 1/2"	3 1/2"	140	135	127	52
IS6-314	2 1/2"	3 7/8"	150	147	127	58
IS6-404	2 1/2"	4 1/4"	160	158	127	60
IS6-410	2 1/2"	4 5/8"	170	172	127	67
IS6-500	2 1/2"	5"	175	184	127	72
IS6-506	2 1/2"	5 3/8"	180	197	152	77
IS6-512	2 1/2"	5 3/4"	185	214	152	83
IS6-602	2 1/2"	6 1/8"	190	224	152	90
IS6-608	2 1/2"	6 1/2"	195	234	152	95
IS6-614	2 1/2"	6 7/8"	200	247	152	100