

IW | PNEUMATIC IMPACT WRENCHES

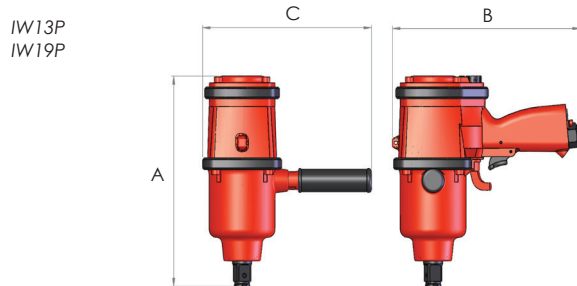


Industrial heavy duty design

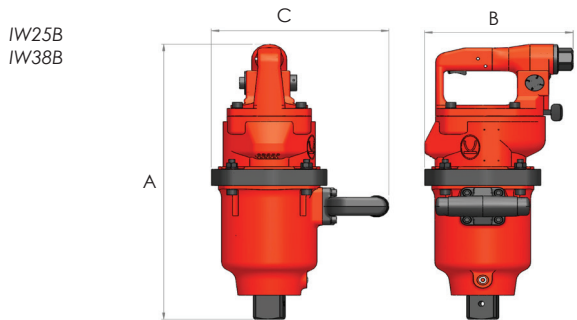
Square drive sizes from ½" to 1 ½"

Operates from standard 6 bar air pressure

- ▶ Industrial impact wrenches offering torque capacities from 90 to 3200 Nm
- ▶ Available with pistol grip or back handle grip
- ▶ Quiet operation and minimal vibration for reduced operator fatigue
- ▶ Compact design with excellent power to weight ratio
- ▶ Incorporates four position power output device
- ▶ High quality torque wrench sockets for use with IW range are listed on pages 83 and 84
- ▶ Filter, regulator & lubricator unit is recommended for use with IW impact wrenches



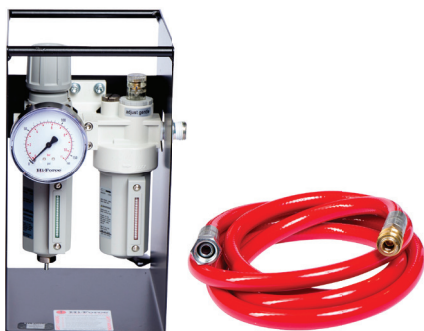
Note: Model IW13P does not have a side handle fitted



Model number	Square drive size	Bolt capacity		Free speed		Maximum torque		Recommended torque		Air consumption		Weight (kg)	Dimensions (mm)		
		mm	inch	R.P.M.	I.P.M	Nm	lbf.ft	Nm	lbf.ft	m³/min	cfm		A	B	C
Pistol grip versions															
IW13P	½"	16	⅝"	6300	1200	450	300	90-350	65-260	0.35	12.5	2.8	198	222	78
IW19P	¾"	22	⅞"	3800	1100	870	640	250-800	185-590	0.6	21.4	6.2	252	245	220
Back handle grip versions															
IW25B	1"	45	1 ¾"	3700	700	2700	1980	1000-2450	740-1772	0.75	26.7	10.7	358	194	211
IW38B	1 ½"	50	2"	3000	600	3500	2600	1000-3200	740-2370	0.82	29.2	16.0	409	189	227

Note: Performance figures are at 0.62 MPa (Pe) (90 psi) air pressure

FILTER REGULATOR LUBRICATOR (FRL) UNIT



- ▶ Allows for easy adjustment of air pressure to suit tool requirements
- ▶ Prevents entry of contaminants and water into the air supply
- ▶ Lubricates air motor to ensure smooth operation
- ▶ Supplied with dual scale air inlet pressure gauge and 3 meter air hose with swivel end fittings

Model number	Air inlet connection	Air outlet connection	Weight (kg)	Dimensions (mm)		
				Length	Width	Height
FRL11	½" NPT	½" NPT	3	200	200	310