

Prepared by:-	M. Dalley	Approved by:-	M. Hughes	Date: 17/09/14
REV NO:-	2	3		
ECO:-	4128	4282		

Introduction

The IW range of heavy duty pneumatic impact wrenches is designed for high volume production, heavy maintenance and construction work. A choice of 4 models in square drive sizes 1/2", 3/4", 1" or 1 1/2" all offering excellent power to weight ratio, compact design and low vibration. Available with pistol grip (models IW13P and IW19P) and back handle grip (models IW25B and IW38B).

Safety and Setup.

READ THIS MANUAL BEFORE OPERATING THE TOOL. FAILURE TO OBSERVE THE FOLLOWING WARNINGS COULD RESULT IN SERIOUS BODILY INJURY.

- Ensure that all equipment connected to the pump is in good condition and is all rated for 6.9 bar (90 psi) operating pressure. With a minimum flow of 0.35 - 0.82 m³/ min depending on model. Higher pressures will shorten tool life.
- Lubricate the Impact wrench on a daily basis with good quality air motor oil. A teaspoon of oil can be poured into the tool air inlet, or to the nearest hose connector before and after use. (Motor Turbine Oil I132, Shell Turbine I132, or an equivalent are recommended)
- A filter should be fitted at or near the take-off point to prevent the ingress of foreign bodies. Drain the line at least on a daily basis.
- We would strongly recommend the use of a Hi-Force Filter, Regulator, Lubricator, model number FRL11, this will ensure that the above requirements are met. Your distributor will be pleased to advise.
- Inspect hoses regularly for damage and wear. Do not use hoses that are frayed, abraded or leaking.
- Use an air hose of a suitable bore; as short as possible to enhance tool efficiency. The fitting of a short leader hose to the tool is recommended. Couplings should not be fitted directly to the tool.
- Do not work with hoses sharply bent or kinked.
- Always use eye, ear and hand protective equipment when using this tool and associated equipment.
- Isolate the tool from the power source when carrying out maintenance or adjustments (except pressure relief valve and speed control adjustments).
- It is recommended that the tool should be periodically overhauled by a competent person, usage will dictate timing.

Where the intended usage is not with threaded fasteners, the safety of operation must be evaluated and appropriate precautions taken. Your distributor will be pleased to advise you.

These tools contain grease, which may cause an explosion hazard in the presence of pure oxygen. These tools contain aluminium alloy components, which may cause a hazard in certain explosive environments. Please contact your distributor for details of solutions to these hazards.

Tool Vibration levels

MODEL	DRIVE SIZE	Vibration total value* (value 3 axes in m/s ²)	Uncertainty K (m/s ²)	Mass (kg)	Air hose Dia (mm) x length (m)	Noise level Db(A)
IW13P	1/2"	7.5	1.3	2.8	6.5 x 3	87
IW19P	3/4"	14.9	2.0	6.2	9.5 x 3	93
IW25B	1"	6.0	1.1	10.7	12 x 3	98
IW38B	1 1/2"	8.5	1.4	16.0	12 x 3	99

* As required by EU directive 2006/42/EC

Test method: ISO 28927-2

Air pressure: 0.62 MPa (tool not running)

Feed Force: As ISO 28927-2

Human vibration meter: Manufactured by Larson Davis

Transducer: Manufactured by Bruel & Kjaer

Mechanical filter: In use.

Prepared by:-	M. Dalley	Approved by:-	M. Hughes	Date: 17/09/14
REV NO:-	2	3		
ECO:-	4128	4282		

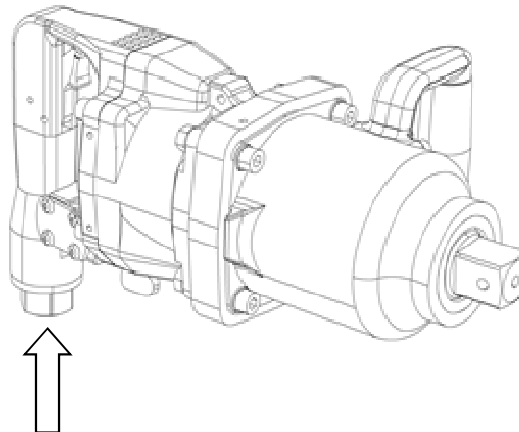
Technical Data:

MODEL	Drive size	Bolt Capacity		Free speed		Max torque		Rec. Torque		Air consumption		Weight (kg)
		mm	inch	rpm	IPM	Nm	Lbf.ft	Nm	Lbf.ft	m ³ /min	cfm	
IW13P	½"	16	5/8"	6300	1200	450	330	90-350	65-260	0.35	12.5	2.8
IW19P	¾"	22	7/8"	3800	1100	870	640	250-800	185-590	0.60	21.4	6.4
IW25B	1"	45	1 ¾"	3700	700	2700	1980	1000-2450	740-1772	0.75	26.7	10.6
IW38B	1 ½"	50	2"	3000	600	3500	2600	1000-3200	740-2370	0.82	29.2	15.9

Operation

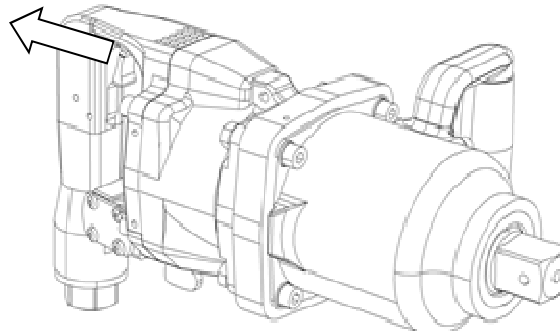
1. Connect the airline to the tool. **See figure 1.**

FIGURE 1



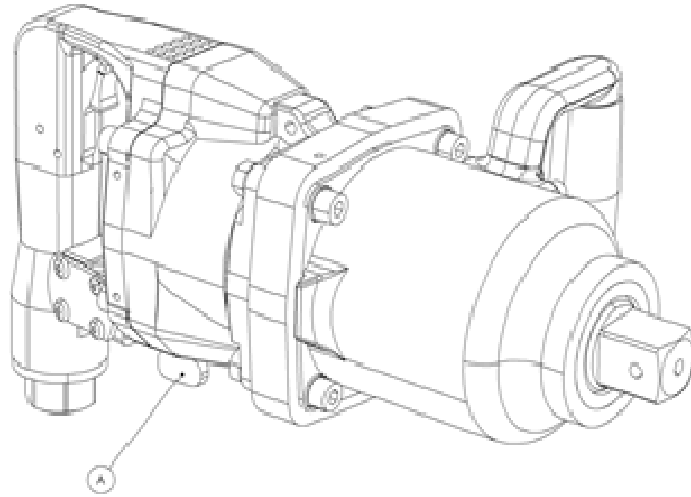
2. Depress trigger to operate tool. **See Figure 2**

FIGURE 2

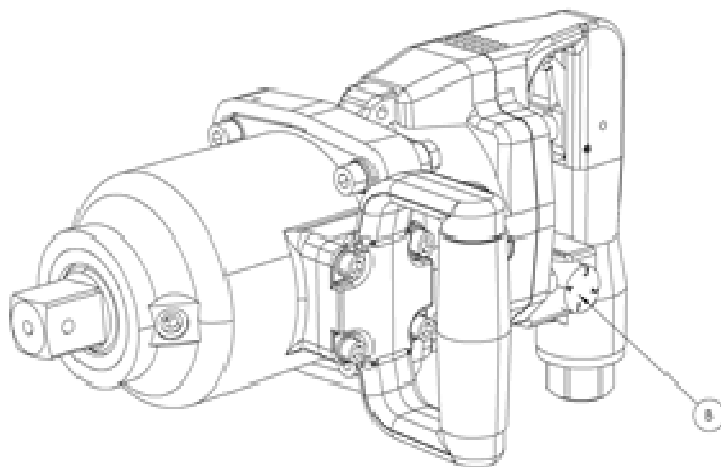


Prepared by:-	M. Dalley	Approved by:-	M. Hughes	Date: 17/09/14
REV NO:-	2	3		
ECO:-	4128	4282		

Note: The rotational direction of the tool can be changed to tighten and loosen. **See Figure 3, position A.** (For Impact Wrench models IW13P and IW19P the directional control switch is located on the rear of the tool).

FIGURE 3

Models IW25B and IW38B feature an adjustable speed control. **See Figure 4, position B.**

FIGURE 4

Prepared by:-	M. Dalley	Approved by:-	M. Hughes	Date: 17/09/14
REV NO:-	2	3		
ECO:-	4128	4282		

UK Head Office:

Hi-Force Limited
Prospect Way, Daventry, Northamptonshire
NN11 8PL
United Kingdom

Tel: + 44 1327 301000
Fax: + 44 1327 706555
Email: daventry@hi-force.com

Hi-Force Regional Offices:

Hi-Force Caspian
Baku
Azerbaijan
Tel: +994 12 447 4100
Email: baku@hi-force.com

Hi-Force S.r.l.
Milan
Italy
Tel: +39 0253 031 088
Email: italy@hi-force.com

Hi-Force Hydraulics (Asia) S.B
Selangor
Malaysia
Tel: +603 5525 4203
Email: malaysia@hi-force.com

Hi-Force Nederland BV
Strijen
Netherlands
Tel: +31 78 674 5488
Email: holland@hi-force.com

Hi-Force Hydraulics (Pty) Ltd
Midrand
South Africa
Tel: +27 11 314 0555
Email: south.africa@hi-force.com

Hi-Force Saudi
Dammam
Saudi Arabia
Tel: +966 13 802 1338
Email: saudi@hi-force.com

Hi-Force Hydraulics
Abu Dhabi
United Arab Emirates
Tel: +971 2 551 3100
Email: abu.dhabi@hi-force.com

Hi-Force FZCO
Dubai
United Arab Emirates
Tel: +971 4 815 0600
Email: dubai@hi-force.com

GLOBAL BRAND. LOCAL SERVICE.**www.hi-force.com**