

JAH | ALUMINUM JACKS

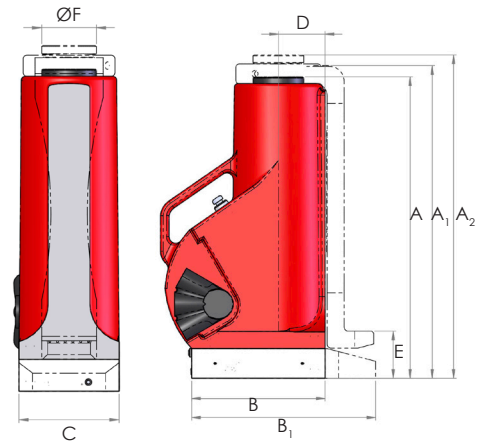


- ▶ Lightweight aluminum construction with critical parts manufactured from high quality steel
- ▶ Available with plain piston, lifting claw or failsafe mechanical lock ring
- ▶ Claw lift capacities from 9 to 26 tons
- ▶ Safety over stroke limiting device

Capacities from 22 to 66 tons

Choice of 5.99 or 12.02 inches stroke lengths

Internal safety overload device



Model number	Jack capacity (tons)	Claw capacity (tons)	Stroke (in)	Weight (lbs)	Dimensions (in)										
					A	A ₁	A ₂	B	B ₁	C	D	E	F		
Jack with plain piston															
JAH620	22	-	5.99	24.3	10.36	-	-	7.01	-	4.77	2.25	-	2.36		
JAH1220	22	-	12.02	37.5	17.26	-	-	9.69	-	4.77	2.25	-	2.36		
JAH630	33	-	5.99	35.3	10.36	-	-	8	-	5.52	2.76	-	2.99		
JAH1230	33	-	12.02	52.9	17.77	-	-	10.76	-	5.52	2.76	-	2.99		
JAH660	66	-	5.99	61.7	11.54	-	-	9.89	-	7.49	3.62	-	4.26		
JAH1260	66	-	12.02	97.0	19.7	-	-	13.47	-	7.49	3.62	-	4.26		
Jack with plain piston & lifting claw with extended base															
JAH620C	22	9	5.99	33.1	-	11.03	-	-	9.69	4.77	2.25	2.64	-		
JAH1220C	22	9	12.02	50.7	-	17.97	-	-	9.69	4.77	2.25	2.64	-		
JAH630C	33	13	5.99	46.3	-	11.07	-	-	10.76	5.52	2.76	3.07	-		
JAH1230C	33	13	12.02	70.5	-	18.6	-	-	10.76	5.52	2.76	3.07	-		
JAH660C	66	26	5.99	97.0	-	13.2	-	-	13.47	7.49	3.62	3.07	-		
JAH1260C	66	26	12.02	143.3	-	21.47	-	-	13.47	7.49	3.62	3.07	-		
Jack with failsafe mechanical load holding lock ring															
JAH620SR	22	-	5.99	28.7	-	-	11.39	7.01	-	4.77	2.25	-	2.36		
JAH1220SR	22	-	12.02	41.9	-	-	18.28	-	9.69	4.77	2.25	-	2.36		
JAH630SR	33	-	5.99	37.5	-	-	11.5	8	-	5.52	2.76	-	2.99		
JAH1230SR	33	-	12.02	55.1	-	-	18.87	-	10.76	5.52	2.76	-	2.99		
JAH660SR	66	-	5.99	66.1	-	-	13	9.89	-	7.49	3.62	-	4.26		
JAH1260SR	66	-	12.02	101.4	-	-	21.12	-	13.47	7.49	3.62	-	4.26		

Note: Lifting claw capacity on toe is maximum 40% of jack capacity, do not exceed!