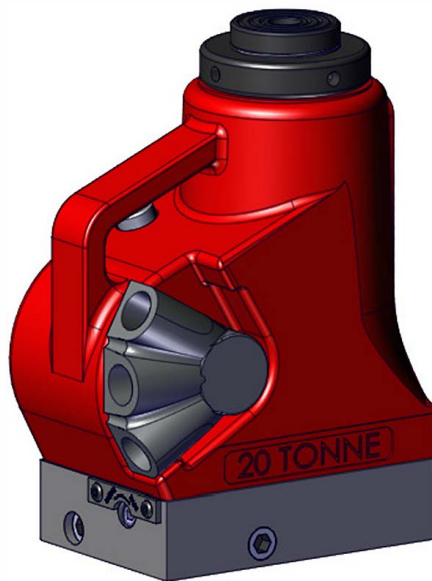


Revision	1	5498	2		3
	4		5		6



BOM ID	Part number	Description	Qty
1	JHC060AB001	RAM CAP	1
2	JHC060MB001	SCRAPER RING	1
3	JHC060CB001	620 CISTERN	1
4	JHC000QZ001	QUADRANT SHAFT	1
5	X	QUADRANT SHAFT O-RING	1
6	JHC000JZ001	JACK TUMBLER	1
7	SEC076DE001	GAITER SEAL	2
8	JHC000TZ001	TUMBLER ROLLER	1
9	STC012AA001	CIRCLIP	2
10	X	DIP STICK ORING	1
11	JHA000DA001	DIP STICK	1
12	X	CISTERN O-RING	1
13	X	WIPER RETAINING RING	1
14	X	RAM CAP & TUMBLER SCREW	2
15	JHC060LB003	620 LINER	1
16	X	20 TONNE GASKET	1
17	X	PUMP PLAUGER BACK UP	1
18	X	BASE ORING	1
19	STC013BA001	FILTER RETAINING CLIP	1
20	FFC012MA001	SUCTION FILTER	1
21	FAS010MA020	CUP PT SCREW	1
22	X	8mm BALL	3
23	JHC060BB002	620/1220 LIST BASE	1
24	X	DELIVERY SCREW	1
25	X	DOWTY WASHER	2
26	SPC009PA001	DELIVERY SPRING	1
27	X	BASE SCREWS	6
28	X	BASE PLUG SCREW	1
29	X	BASE PLUG DOWTY WASHER	1
30	VRA700AF002	RELIEF VALVE	1
31	SEC013RA001	RELEASE VALVE ORING	1
32	SPC009PA001	SUCTION SPRING	1
33	JHC000UZ002	PUMP PLUNGER CIRCLIP	1
34	JHC000UZ001	PUMP PLUNGER	1
35	X	PUMP PLUNGER O-RING	1
36	JHC000KZ001	PUMP BARREL	1
37	X	PUMP BARREL WASHER	1
38	SPC012CA001	RELEASE VALVE SPRING	1
39	FAS016OC019	RELEASE VALVE SCREW	1
40	JAC010JC002	RELEASE VALVE SPINDLE	1
41	X	SUCTION SCREW	1
42	JHC000GZ001	RELEASE PLATE	1
43	X	BUTTON HEAD PLATE SCREW	2
44	JHC000VZ001	SAFE STOP VALVE BODY	1
45	SPC006CA007	RELEIF VALVE SPRING	1
46	PCC003FC002	Dowel pin hardened & ground	1
47	X	BASE PLUG SCREW	1
48	JHC060RB003	620 SR RAM	1
49	JHC060SB001	STOP RING	1
50	SPC003CA001	COMPRESSION SPRING	2
51	X	SPRING PIN	2
52	JHC000WB002	SAFE STOP RING	2
53	JHC000WB001	SAFE STOP BAR	1
54	X	PISTON PLUG DOWTY WASHER	1
55	X	6mm BALL	1
56	X	RAM SEAL BACKUP	1
57	X	RAM SEAL 20 TONNE	1

ITEMS MARKED X ARE AVAILABLE  
IN SERVICE KIT JAH20TP2-K ONLY

IMPORTANT  
WHEN ORDERING SPARES YOU MUST STATE THE FULL PART NUMBER AND THE  
PRODUCT SERIAL NUMBER - FROM THE LABEL  
TO PROTECT YOUR WARRANTY ALWAYS USE GENUINE HI-FORCE PARTS.

Revision

1	5498	2		3	
4		5		6	