

JSS | STEEL BOTTLE JACKS

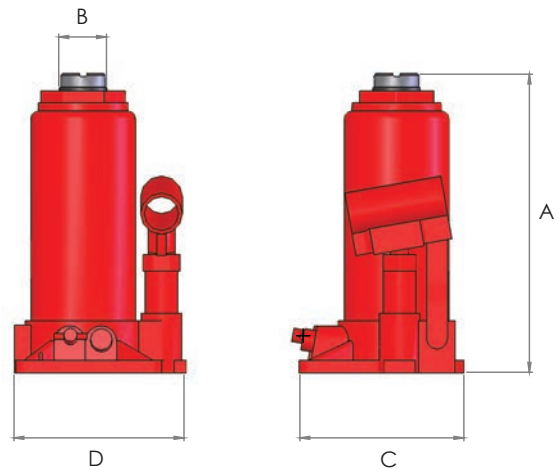


Capacities from 3 to 100 tonnes

Stroke lengths from 135 to 195 mm

Heavy duty steel construction

- ▶ Piston rod mechanical screw extension on all models up to 16 tonnes capacity
- ▶ Low handle effort for easy operation
- ▶ Internal safety overload valve



Model number	Capacity (tonnes)	Stroke (mm)	Screw Extension (mm)	Weight (kg)	Dimensions (mm)			
					A	B	C	D
JSS35	3	135	70	3	195	28	100	100
JSS55	5	135	90	4	200	32	120	110
JSS106	10	174	90	7	243	43	110	125
JSS166	16	178	95	10	255	53	150	160
JSS207	20	190	-	15	280	56	128	167
JSS327	32	190	-	20	285	71	150	187
JSS507	50	195	-	29	300	85	180	215
JSS1007	100	195	-	65	340	117	265	240