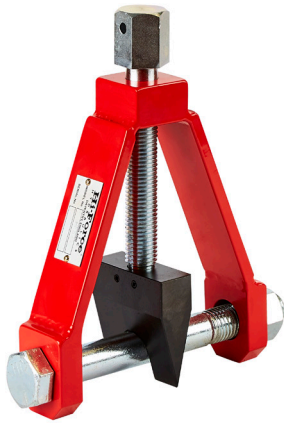


**MFS | MECHANICAL FLANGE SPREADERS**

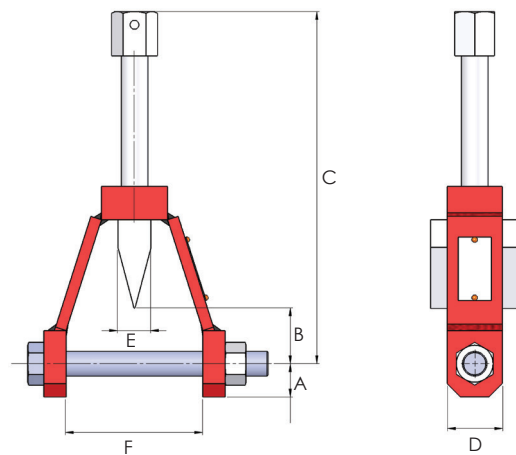


Suitable for bolt diameters up to 31 mm

Maximum spread 231 mm

No external power source required

- ▶ Manually operated mechanical feed screw design
- ▶ Capable of opening flanges up to 2 x 95 mm thickness
- ▶ Economical and safe operation
- ▶ High grade steel construction with high tensile cross bolt
- ▶ Case hardened spreading wedge
- ▶ Compact, portable and easy to use



| Model number | Pin diameter |        | Min flange bolt hole diameter | Maximum flange thickness |              | Weight (kg) | Dimensions (mm) |         |         |         |    |    |     |
|--------------|--------------|--------|-------------------------------|--------------------------|--------------|-------------|-----------------|---------|---------|---------|----|----|-----|
|              | mm           | inch   |                               | mm                       | inch         |             | A               | B (max) | C (min) | C (max) | D  | E  | F   |
| MFS16        | 16           | 5/8"   | 17                            | 2 x 22                   | 2 x 7/8"     | 2.2         | 25              | 28      | 185     | 232     | 40 | 25 | 70  |
| MFS19        | 19           | 3/4"   | 20                            | 2 x 35                   | 2 x 1 3/8"   | 2.7         | 30              | 50      | 185     | 254     | 50 | 25 | 95  |
| MFS22        | 22           | 7/8"   | 23                            | 2 x 47                   | 2 x 1 13/16" | 4.1         | 30              | 50      | 247     | 318     | 50 | 30 | 124 |
| MFS25        | 25           | 1"     | 26                            | 2 x 62                   | 2 x 2 7/16"  | 6.4         | 30              | 85      | 247     | 353     | 50 | 30 | 155 |
| MFS28        | 28           | 1 1/8" | 29                            | 2 x 70                   | 2 x 2 3/4"   | 8.2         | 30              | 80      | 275     | 382     | 60 | 40 | 181 |
| MFS31        | 31           | 1 1/4" | 32                            | 2 x 95                   | 2 x 3 3/4"   | 9.6         | 32              | 84      | 275     | 385     | 60 | 40 | 231 |