

* APPLY LOCTITE ACTIVATOR 7088 OR 7091 TO BODY AND
SECURE WITH LOCTITE 243. ALLOW 12 HOURS CURE TIME BEFORE USE

NOT A SERVICABLE PART

REVISION

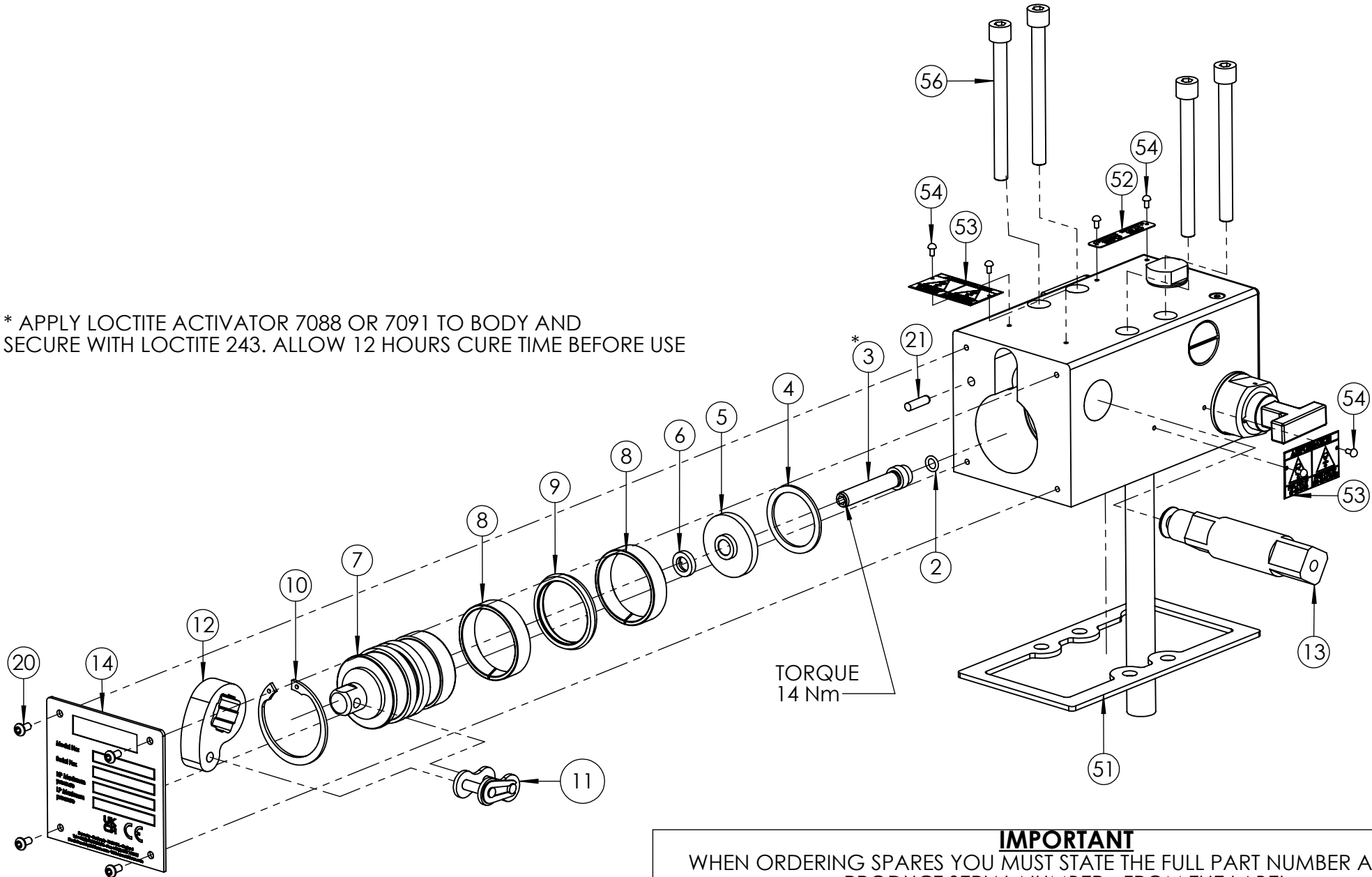
1	5726
2	5751
3	5791
4	5808
5	
6	
7	
8	
9	
10	
11	
12	
13	
14	
15	
16	
17	
18	
19	
20	

IMPORTANT
WHEN ORDERING SPARES YOU MUST STATE THE FULL PART NUMBER AND THE
PRODUCT SERIAL NUMBER - FROM THE LABEL
TO PROTECT YOUR WARRANTY ALWAYS USE GENUINE HI-FORCE PARTS.

REVISION

1	5726
2	5751
3	5791
4	5808
5	
6	
7	
8	
9	
10	
11	
12	
13	
14	
15	
16	
17	
18	
19	
20	

* APPLY LOCTITE ACTIVATOR 7088 OR 7091 TO BODY AND
SECURE WITH LOCTITE 243. ALLOW 12 HOURS CURE TIME BEFORE USE



IMPORTANT

WHEN ORDERING SPARES YOU MUST STATE THE FULL PART NUMBER AND THE
PRODUCT SERIAL NUMBER - FROM THE LABEL
TO PROTECT YOUR WARRANTY ALWAYS USE GENUINE HI-FORCE PARTS.

ITEM NO.	PART NUMBER	DESCRIPTION	QTY.	SERVICE PARTS
1	HTC100MB006	PUMP BODY (MHX1000)	1	X
2	SEC010RF001	O-RING - I.D. 6.35mm, C.S. 1.78mm, NITRILE 90	1	✓
3	HTC100PH002	HIGH PRESSURE PISTON	1	
4	STC040TA002	SPIRAL RING, I.D. 40mm	1	✓
5	HTC100PR003	SEAL RETAINER	1	
6	SEC009RA004	HIGH PRESSURE SEAL	1	✓
7	HTC100PL002	LOW PRESSURE PISTON	1	
8	BSC047PC001	BEARING	2	✓
9	SEC047PA001	LOW PRESSURE SEAL	1	✓
10	STC050BA001	CIRCLIP, INTERNAL 50mm x 2mm DIN472	1	✓
11	STC006KD002	CONNECTING LINK	1	
12	HTC100MK002	CRANKSHAFT LEVER	1	
13	HTC100MC001	CRANKSHAFT	1	
14	LAC100WC001	NAMEPLATE	1	X
15	SEC019RE002	O-RING - I.D. 18.77mm, C.S. 1.78mm, NITRILE 90	1	✓
16	SEC013RA001	O-RING - I.D. 9.25mm, C.S. 1.78mm, NITRILE 90	2	✓
17	HLA029BL001	HANDLE ASSEMBLY	1	
18	WAC006PC001	PENNY WASHER	1	
19	BLC008KH010	M8 X 10mm, HEX SOCKET BUTTON HEAD SCREW	1	
20	BLC004-H008	M4 X 8mm, HEX SOCKET BUTTON HEAD SCREW	4	
21	PCC005FC001	PIN DOWEL Ø5 X 18mm	1	
22	SPC015PB001	CONICAL SPRING	1	
23	BAC012TN001	Ø12mm BALL -STAINLESS STEEL GRADE 420	1	✓

ITEM NO.	PART NUMBER	DESCRIPTION	QTY.	SERVICE PARTS	REVISION
24	BAC008TN001	Ø8mm BALL -STAINLESS STEEL GRADE 420	1	✓	1 5726
25	HTA100CB001	CHANGE OVER VALVE	1		2 5751
26	WAC030KD000	M30 SELF CENTERING DOWTY WASHER	1	✓	3 5791
27	HTC100FF001	FILTER	1		4 5808
28	HTC100FG001	FILTER RETAIN SCREW	1		5
29	WAC018KD000	M18 DOWTY WASHER	1	✓	6
30	HTC100RS003	RELEASE VALVE	1		7
31	HTC100RM004	RELEASE VALVE SPINDLE	1		8
32	HTC100RB003	RELEASE VALVE BODY	1		9
33	WAC020KD001	M20 DOWTY WASHER	1	✓	10
34	HLC008LS001	LEVER	1		11
35	FAS004MD006	M4 X 6 HEX SOCKET DOG POINT SCREW	1		12
36	HTC100VS007	VALVE SEAT	1	X	13
37	SPC007CA003	COMPRESSION SPRING	1		14
38	HTC100MV010	SUCTION SPRING RETAINER	1		15
39	WAC016KD002	M16 DOWTY WASHER	1	✓	16
40	SEC010YA001	SEAL	1	✓	17

NOTE:

- ALL PARTS MARKED WITH ✓ ARE ALSO AVAILABLE SERVICEABLE PARTS FOUND IN: SERVICE KIT **MHX1000PUSK01** (REFER TO MHX1000PUSK01 EVD FOR FURTHER DETAILS)

- FOR FURTHER DETAILS ON **HTA100CB001**, PLEASE REFER TO HTA100CB001 EVD.

IMPORTANT

WHEN ORDERING SPARES YOU MUST STATE THE FULL PART NUMBER AND THE PRODUCT SERIAL NUMBER - FROM THE LABEL TO PROTECT YOUR WARRANTY ALWAYS USE GENUINE HI-FORCE PARTS.

ITEM NO.	PART NUMBER	DESCRIPTION	QTY.	SERVICE PARTS
41	WAC010HD000	3/8" BSP DOWTY WASHER	1	✓
42	VRC001GS002	VALVE STEM	1	
43	SPC012CB001	SPRING	1	
44	VRC001JS002	ADJUSTER SCREW	1	
45	VRC001HS003	VALVE BODY	1	
46	HTC100MV008	OUTLET SEAL	1	
47	SPC013CB001	COMPRESSION SPRING	1	
48	HTC100MV004	OUTLET SEAL GUIDE	1	
49	HTC100BG001	GAUGE PORT BOLT	1	
50	FPC008PM001	M8 ZERO LEAK PLUG	3	
51	15488	GASKET	1	✓
52	LAC100WC002	RELEASE LABEL	1	
53	LAC100WC003	PRESSURE SELECTION LABEL	2	
54	FAS002HZ001	NO.4 x 3/16 BRASS HAMMER DRIVE SCREW	6	
55	TAC000PA003	SUCTION PIPE	1	
56	BLC008KC090	M8 X 90mm, HEX SOCKET CAP HEAD SCREW	4	
57	VRC001VS001	VALVE SEAT	1	
58	HTC100RS004	VALVE SEAT	1	
59	SEC004RF001	O-RING - I.D. 2.0mm, C.S. 1.0mm, NITRILE 90	1	✓
60	SEC005RF002	O-RING - I.D. 3.5mm. C.S. 1.0mm, NITRILE 90	1	✓
61	LAC000WP001	HIGH/LOW CHANGE OVER LABEL	1	

NOTE:

- ALL PARTS MARKED WITH ✓ ARE ALSO AVAILABLE SERVICEABLE PARTS FOUND IN: SERVICE KIT **MHX1000PUSK01** (REFER TO MHX1000PUSK01 EVD FOR FURTHER DETAILS)

- VRC001VS001, REQUIRES A FITTING TOOL (ATC010PH002), WHICH IS AVAILBLE FOR ORDER SEPARATELY.

- HTC100RS004, REQUIRES A FITTING TOOL (ATC010PH001), WHICH IS AVAILABLE FOR ORDER SEPARATELY.

REVISION

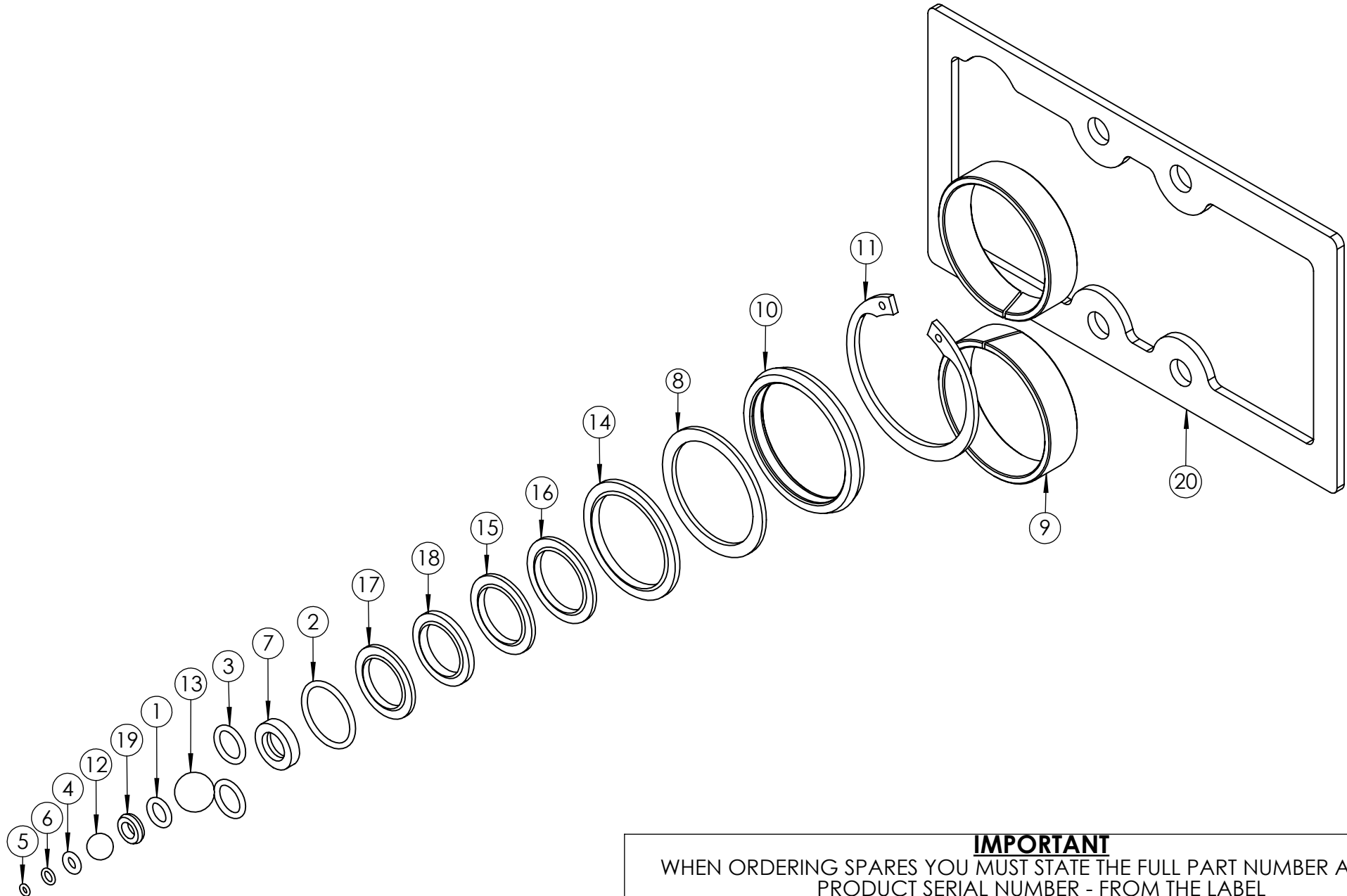
1	5726
2	5751
3	5791
4	5808
5	
6	
7	
8	
9	
10	
11	
12	
13	
14	
15	
16	
17	
18	
19	
20	

IMPORTANT

WHEN ORDERING SPARES YOU MUST STATE THE FULL PART NUMBER AND THE PRODUCT SERIAL NUMBER - FROM THE LABEL TO PROTECT YOUR WARRANTY ALWAYS USE GENUINE HI-FORCE PARTS.

REVISION

1	5726
2	5808
3	
4	
5	
6	
7	
8	
9	
10	
11	
12	
13	
14	
15	
16	
17	
18	
19	
20	



IMPORTANT

WHEN ORDERING SPARES YOU MUST STATE THE FULL PART NUMBER AND THE
PRODUCT SERIAL NUMBER - FROM THE LABEL
TO PROTECT YOUR WARRANTY ALWAYS USE GENUINE HI-FORCE PARTS.

REVISION

1 5726

2 5808

3

4

5

6

7

8

9

10

11

12

13

14

15

16

17

18

19

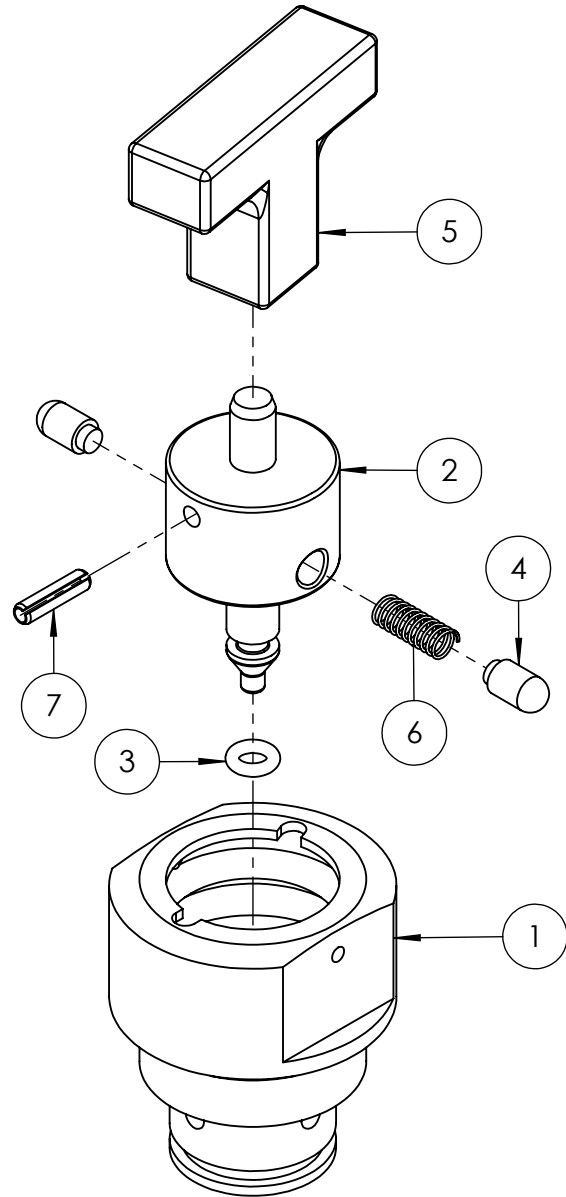
20

ITEM NO.	PART NUMBER	DESCRIPTION	QTY.
1	SEC010RF001	O-RING - I.D. 6.35mm, C.S. 1.78mm, NITRILE 90	1
2	SEC019RE002	O-RING - I.D. 18.77mm, C.S. 1.78mm, NITRILE 90	1
3	SEC013RA001	O-RING - I.D. 9.25mm, C.S. 1.78mm, NITRILE 90	2
4	SEC007RA001	O-RING - I.D. 3.69mm, C.S. 1.78mm	1
5	SEC004RF001	O-RING - I.D. 2.0mm, C.S. 1.0mm, NITRILE 90	1
6	SEC005RF002	O-RING - I.D. 3.5mm. C.S. 1.0mm, NITRILE 90	1
7	SEC009RA004	HIGH PRESSURE SEAL	1
8	STC040TA002	SPIRAL RING, I.D. 40mm	1
9	BSC047PC001	BEARING	2
10	SEC047PA001	LOW PRESSURE SEAL	1
11	STC050BA001	CIRCLIP, INTERNAL 50mm x 2mm DIN472	1
12	BAC008TN001	Ø8mm BALL -STAINLESS STEEL GRADE 420	1
13	BAC012TN001	Ø12mm BALL -STAINLESS STEEL GRADE 420	1
14	WAC030KD000	M30 SELF CENTERING DOWTY WASHER	1
15	WAC018KD000	M18 DOWTY WASHER	1
16	WAC020KD001	M20 DOWTY WASHER	1
17	WAC016KD002	M16 DOWTY WASHER	1
18	WAC010HD000	3/8" BSP DOWTY WASHER	1
19	SEC010YA001	SEAL	1
20	15488	GASKET	1

IMPORTANT

WHEN ORDERING SPARES YOU MUST STATE THE FULL PART NUMBER AND THE PRODUCT SERIAL NUMBER - FROM THE LABEL TO PROTECT YOUR WARRANTY ALWAYS USE GENUINE HI-FORCE PARTS.

ITEM NO.	PART NUMBER	DESCRIPTION	QTY.	SERVICE PARTS	REVISION
1	HTC100CB002	CHANGE OVER VALVE BODY	1		1 5726
2	HTC100CM001	CHANGE OVER PLUNGER	1		2
3	SEC007RA001	O-RING - I.D. 3.69mm, C.S. 1.78mm	1	✓	3
4	PCC005FB001	DOWEL PIN	2		4
5	HLC006KT001	HANDLE	1		5
6	SPC005CA006	SPRING	1		6
7	PCC003RB006	Ø3 x 12 mm SELLOCK PIN	1		7
					8
					9
					10
					11
					12
					13
					14
					15
					16
					17
					18
					19
					20



NOTE:

- ALL PARTS MARKED WITH ✓ ARE AVAILABLE SERVICEABLE PARTS FOUND IN ALL OF THE FOLLOWING SERVICE KITS:

- MHX100PUSK01
- MHX300PUSK01
- MHX500PUSK01
- MHX700PUSK01
- MHX1000PUSK01

IMPORTANT

WHEN ORDERING SPARES YOU MUST STATE THE FULL PART NUMBER AND THE PRODUCT SERIAL NUMBER - FROM THE LABEL TO PROTECT YOUR WARRANTY ALWAYS USE GENUINE HI-FORCE PARTS.

REVISION

1 5726

2

3

4

5

6

7

8

9

10

11

12

13

14

15

16

17

18

19

20

