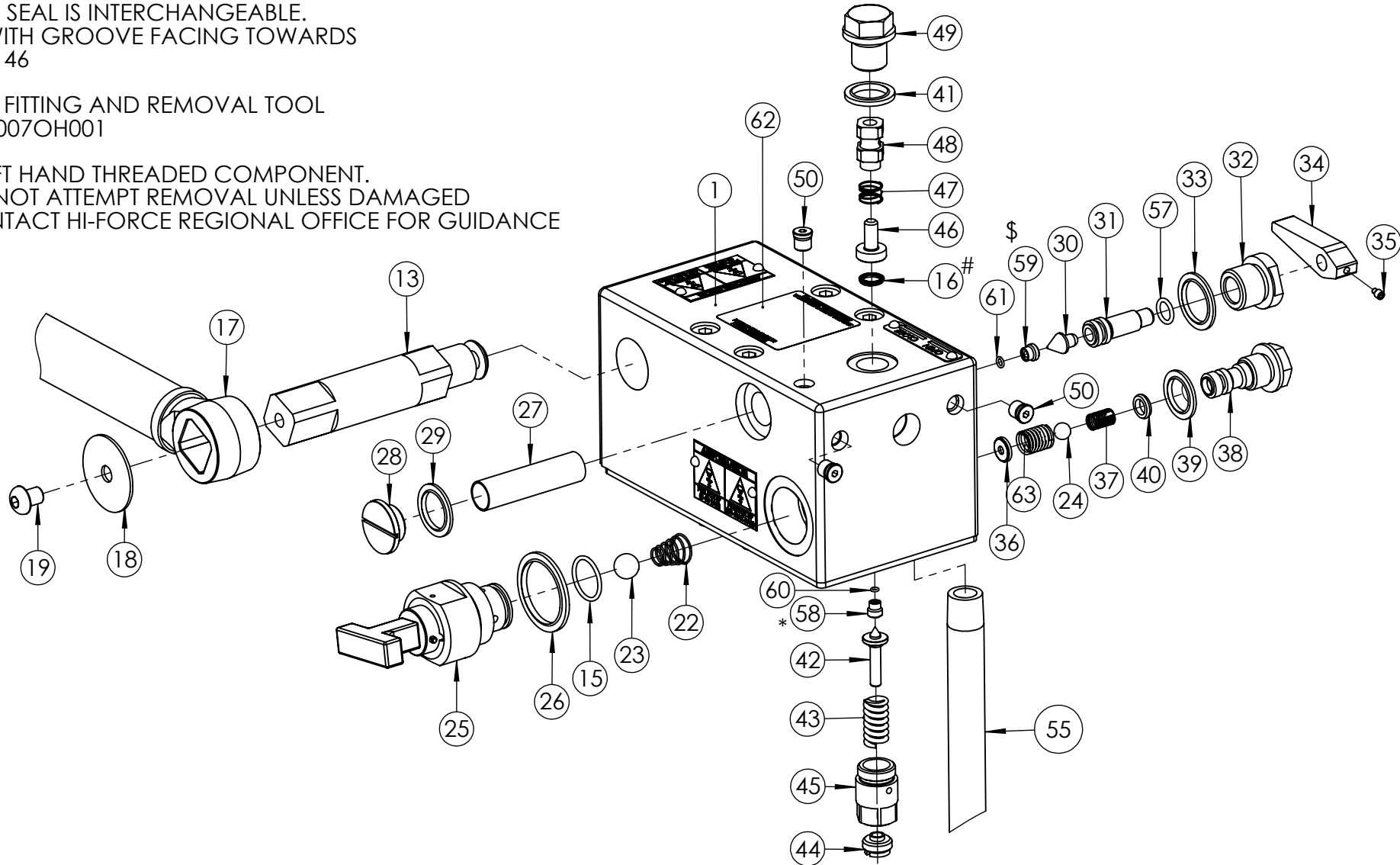


EARLIER MODELS USED AN O-RING.
NEW SEAL IS INTERCHANGEABLE.
FIT WITH GROOVE FACING TOWARDS
ITEM 46

*USE FITTING AND REMOVAL TOOL
ATC007OH001

\$ LEFT HAND THREADED COMPONENT.
DO NOT ATTEMPT REMOVAL UNLESS DAMAGED
CONTACT HI-FORCE REGIONAL OFFICE FOR GUIDANCE



REVISION

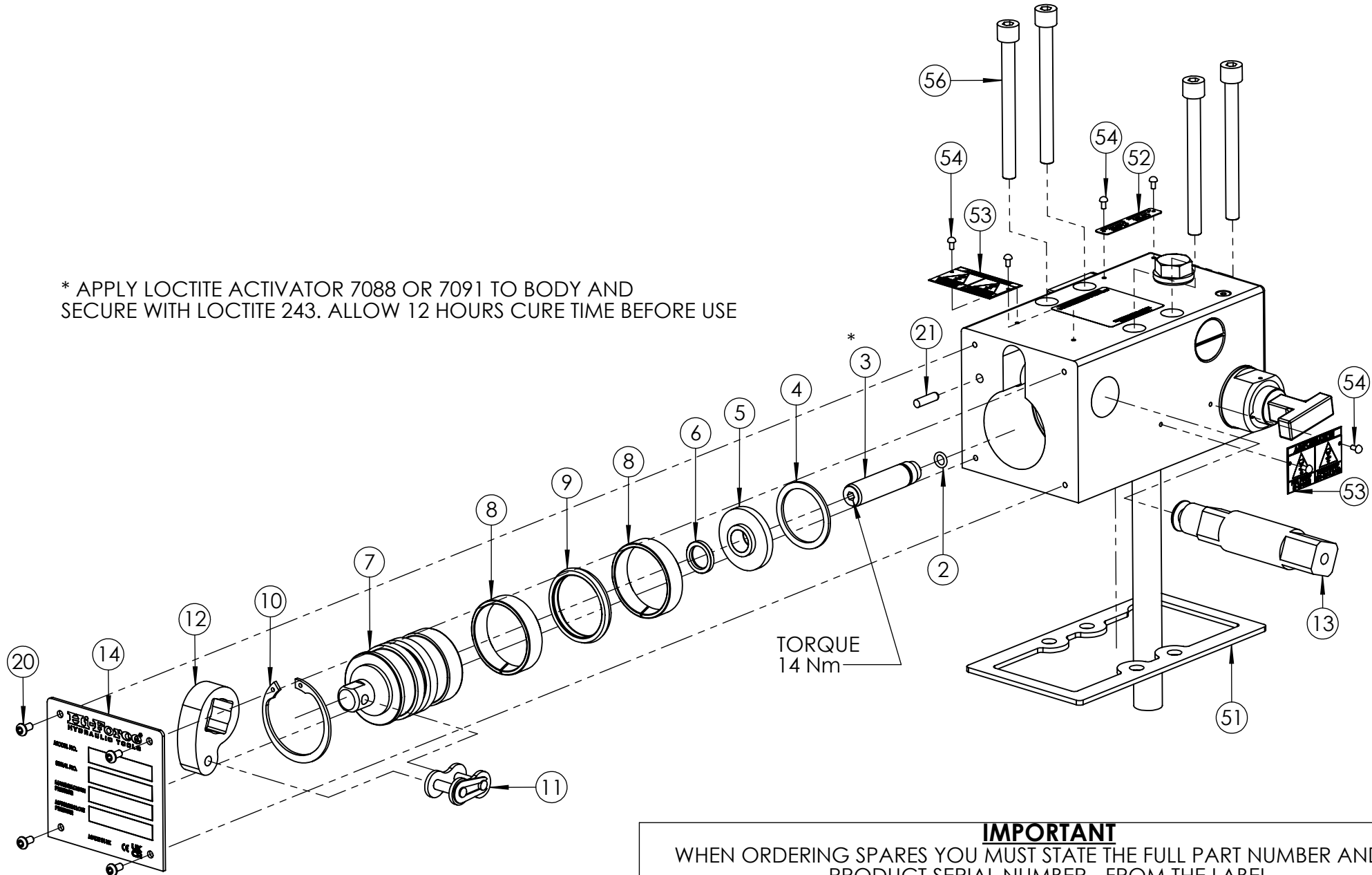
| | |
|----|------|
| 1 | 5726 |
| 2 | 5751 |
| 3 | 5791 |
| 4 | 5808 |
| 5 | 5960 |
| 6 | 6342 |
| 7 | |
| 8 | |
| 9 | |
| 10 | |
| 11 | |
| 12 | |
| 13 | |
| 14 | |
| 15 | |
| 16 | |
| 17 | |
| 18 | |
| 19 | |
| 20 | |

IMPORTANT
WHEN ORDERING SPARES YOU MUST STATE THE FULL PART NUMBER AND THE
PRODUCT SERIAL NUMBER - FROM THE LABEL
TO PROTECT YOUR WARRANTY ALWAYS USE GENUINE HI-FORCE PARTS.

REVISION

| | |
|----|------|
| 1 | 5726 |
| 2 | 5751 |
| 3 | 5791 |
| 4 | 5808 |
| 5 | 5960 |
| 6 | 6342 |
| 7 | |
| 8 | |
| 9 | |
| 10 | |
| 11 | |
| 12 | |
| 13 | |
| 14 | |
| 15 | |
| 16 | |
| 17 | |
| 18 | |
| 19 | |
| 20 | |

* APPLY LOCTITE ACTIVATOR 7088 OR 7091 TO BODY AND
SECURE WITH LOCTITE 243. ALLOW 12 HOURS CURE TIME BEFORE USE



TORQUE
14 Nm

IMPORTANT

WHEN ORDERING SPARES YOU MUST STATE THE FULL PART NUMBER AND THE
PRODUCT SERIAL NUMBER - FROM THE LABEL
TO PROTECT YOUR WARRANTY ALWAYS USE GENUINE HI-FORCE PARTS.

| ITEM NO. | PART NUMBER | DESCRIPTION | QTY. | SPARE PART AVAILABILITY | SERVICE KIT CONTENTS | ITEM NO. | PART NUMBER | DESCRIPTION | QTY. | SPARE PART AVAILABILITY | SERVICE KIT CONTENTS | REVISION |
|----------|-------------|--|------|-------------------------|----------------------|----------|-------------|--------------------------------------|------|-------------------------|----------------------|----------|
| 1 | HTC070MB003 | BODY (MHX100-700) | 1 | X | | 24 | BAC008TN001 | Ø8mm BALL -STAINLESS STEEL GRADE 420 | 1 | X | ✓ | 1 5726 |
| 2 | SEC010RF001 | O-RING - I.D. 6.35mm, C.S. 1.78mm, NITRILE 90 | 1 | X | ✓ | 25 | HTA100CB001 | CHANGE OVER VALVE | 1 | | | 2 5751 |
| 3 | HTC050PH002 | HIGH PRESSURE PISTON | 1 | | | 26 | WAC030KD000 | M30 DOWTY WASHER | 1 | X | ✓ | 3 5791 |
| 4 | STC040TA002 | SPIRAL RING, I.D. 40mm | 1 | X | ✓ | 27 | HTC100FF001 | FILTER | 1 | | | 4 5808 |
| 5 | HTC050PR003 | SEAL RETAINER | 1 | | | 28 | HTC100FG001 | FILTER RETAIN SCREW | 1 | | | 5 5960 |
| 6 | SEC014PE001 | HIGH PRESSURE SEAL | 1 | X | ✓ | 29 | WAC018KD000 | M18 DOWTY WASHER | 1 | X | ✓ | 6 6342 |
| 7 | HTC050PL002 | LOW PRESSURE PISTON | 1 | | | 30 | HTC100RS003 | RELEASE VALVE | 1 | | | 7 |
| 8 | BSC047PC001 | BEARING | 2 | X | ✓ | 31 | HTC100RM004 | RELEASE VALVE SPINDLE | 1 | | | 8 |
| 9 | SEC047PA001 | LOW PRESSURE SEAL | 1 | X | ✓ | 32 | HTC100RB003 | RELEASE VALVE BODY | 1 | | | 9 |
| 10 | STC050BA001 | CIRCLIP, INTERNAL 50mm x 2mm DIN472 | 1 | X | ✓ | 33 | WAC020KD001 | M20 DOWTY WASHER | 1 | X | ✓ | 10 |
| 11 | STC006KD002 | CONNECTING LINK | 1 | | | 34 | HLC008LS001 | LEVER | 1 | | | 11 |
| 12 | HTC100MK002 | CRANKSHAFT LEVER | 1 | | | 35 | FAS004MD006 | M4 X 6 HEX SOCKET DOG POINT SCREW | 1 | | | 12 |
| 13 | HTC100MC001 | CRANKSHAFT | 1 | | | 36 | HTC100VS009 | VALVE SEAT | 1 | | | 13 |
| 14 | LAC100WC001 | NAME PLATE | 1 | X | | 37 | SPC007CA003 | COMPRESSION SPRING | 1 | | | 14 |
| 15 | SEC019RE002 | O-RING - I.D. 18.77mm, C.S. 1.78mm, NITRILE 90 | 1 | X | ✓ | 38 | HTC100MV011 | SPRING RETAINER | 1 | | | 15 |
| 16 | SEC010JF001 | FACE SEAL | 1 | X | ✓ | 39 | WAC016KD002 | M16 DOWTY WASHER | 1 | X | ✓ | 16 |
| 17 | HLA029BL001 | HANDLE ASSEMBLY | 1 | | | 40 | SEC012YA001 | SEAL | 1 | X | ✓ | 17 |
| 18 | WAC006PC001 | PENNY WASHER | 1 | | | | | | | | | 18 |
| 19 | BLC008KH010 | M8 X 10mm, HEX SOCKET BUTTON HEAD SCREW | 1 | | | | | | | | | 19 |
| 20 | BLC004-H008 | M4 X 8mm, HEX SOCKET BUTTON HEAD SCREW | 4 | | | | | | | | | 20 |
| 21 | PCC005FC001 | PIN DOWEL Ø5 X 18mm | 1 | | | | | | | | | |
| 22 | SPC015PB001 | CONICAL SPRING | 1 | | | | | | | | | |
| 23 | BAC012TN001 | Ø12mm BALL -STAINLESS STEEL GRADE 420 | 1 | X | ✓ | | | | | | | |

NOTE:

- ALL PARTS ARE AVAILABLE TO ORDER AS INDIVIDUAL SPARE PARTS, UNLESS MARKED WITH X

- ALL PARTS MARKED WITH ✓ ARE AVAILABLE SERVICEABLE PARTS FOUND IN: SERVICE KIT **MHX500PUSK01**

- FOR FURTHER DETAILS ON **HTA100CB001**, PLEASE REFER TO HTA100CB001 EVD.

| ITEM NO. | PART NUMBER | DESCRIPTION | QTY. | SPARE PART AVAILABILITY | SERVICE KIT CONTENTS |
|----------|-------------|---|------|-------------------------|----------------------|
| 41 | WAC010HD000 | 3/8" BSP DOWTY WASHER | 1 | X | ✓ |
| 42 | VRC001GS002 | VALVE STEM | 1 | | |
| 43 | SPC012CB001 | SPRING | 1 | | |
| 44 | VRC001JS002 | ADJUSTER SCREW | 1 | | |
| 45 | VRC001HS003 | VALVE BODY | 1 | | |
| 46 | HTC100MV008 | OUTLET SEAL | 1 | | |
| 47 | SPC013CB001 | COMPRESSION SPRING | 1 | | |
| 48 | HTC100MV004 | OUTLET SEAL GUIDE | 1 | | |
| 49 | HTC100BG001 | GAUGE PORT BOLT | 1 | | |
| 50 | FPC008PM001 | M8 ZERO LEAK PLUG | 3 | | |
| 51 | 15488 | GASKET | 1 | X | ✓ |
| 52 | LAC100WC002 | RELEASE LABEL | 1 | | |
| 53 | LAC100WC003 | PRESSURE SELECTION LABEL | 2 | | |
| 54 | FAS002HZ001 | NO.4 x 3/16 HAMMER DRIVE SCREW | 6 | | |
| 55 | TAC000PA003 | SUCTION PIPE | 1 | | |
| 56 | BLC008KC090 | M8 X 90mm, HEX SOCKET CAP HEAD SCREW | 4 | | |
| 57 | SEC013RA001 | O-RING - I.D. 9.25mm, C.S. 1.78mm, NITRILE 90 | 1 | X | ✓ |
| 58 | VRC001VS001 | VALVE SEAT | 1 | | |
| 59 | HTC100RS004 | VALVE SEAT | 1 | | |
| 60 | SEC004RF001 | O-RING - I.D. 2.0mm, C.S. 1.0mm, NITRILE 90 | 1 | X | ✓ |
| 61 | SEC005RF002 | O-RING - I.D. 3.5mm. C.S. 1.0mm, NITRILE 90 | 1 | X | ✓ |
| 62 | LAC000WP001 | HIGH/LOW CHANGE OVER LABEL | 1 | | |
| 63 | SPC012CB002 | COMPRESSION SPRING | 1 | | |

NOTE:

- ALL PARTS ARE AVAILABLE TO ORDER AS INDIVIDUAL SPARE PARTS, UNLESS MARKED WITH **x**

- ALL PARTS MARKED WITH ✓ ARE AVAILABLE SERVICEABLE PARTS FOUND IN: SERVICE KIT **MHX500PUSK01**

REVISION

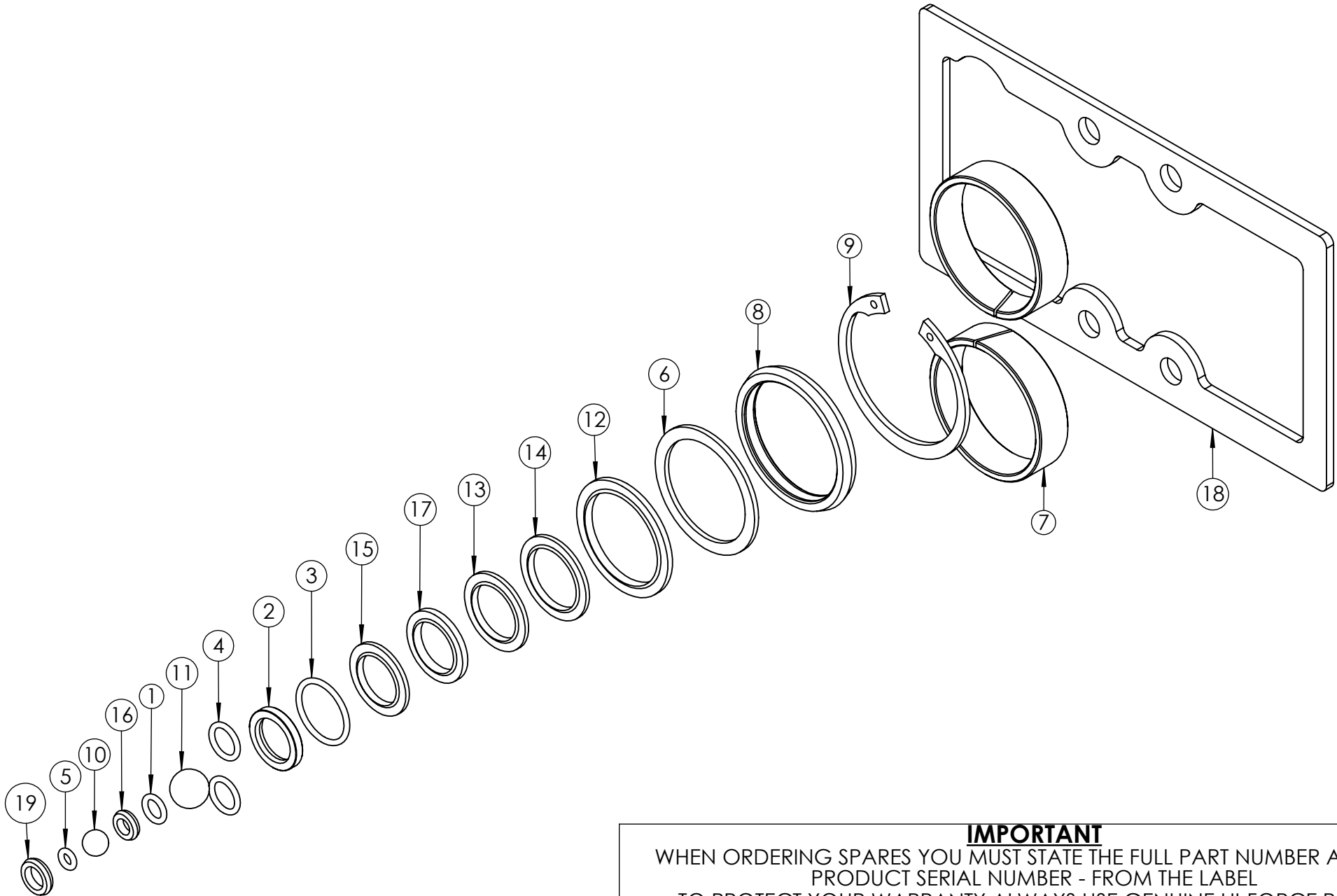
| | |
|----|------|
| 1 | 5726 |
| 2 | 5751 |
| 3 | 5791 |
| 4 | 5808 |
| 5 | 5960 |
| 6 | 6342 |
| 7 | |
| 8 | |
| 9 | |
| 10 | |
| 11 | |
| 12 | |
| 13 | |
| 14 | |
| 15 | |
| 16 | |
| 17 | |
| 18 | |
| 19 | |
| 20 | |

IMPORTANT

WHEN ORDERING SPARES YOU MUST STATE THE FULL PART NUMBER AND THE PRODUCT SERIAL NUMBER - FROM THE LABEL TO PROTECT YOUR WARRANTY ALWAYS USE GENUINE HI-FORCE PARTS.

REVISION

| | |
|----------|------|
| 1 | 5726 |
| 2 | 5808 |
| 3 | 5977 |
| 4 | |
| 5 | |
| 6 | |
| 7 | |
| 8 | |
| 9 | |
| 10 | |
| 11 | |
| 12 | |
| 13 | |
| 14 | |
| 15 | |
| 16 | |
| 17 | |
| 18 | |
| 19 | |
| 20 | |



IMPORTANT

WHEN ORDERING SPARES YOU MUST STATE THE FULL PART NUMBER AND THE
PRODUCT SERIAL NUMBER - FROM THE LABEL
TO PROTECT YOUR WARRANTY ALWAYS USE GENUINE HI-FORCE PARTS.

MHX500PUSK01 SERVICE KIT

SERIAL NUMBERS

FROM BQ6940

PRODUCT NO.

MHX500PUSK01

SHT 2 OF
2 SHTS

REVISION

1 5726

2 5808

3 5977

4

5

6

7

8

9

10

11

12

13

14

15

16

17

18

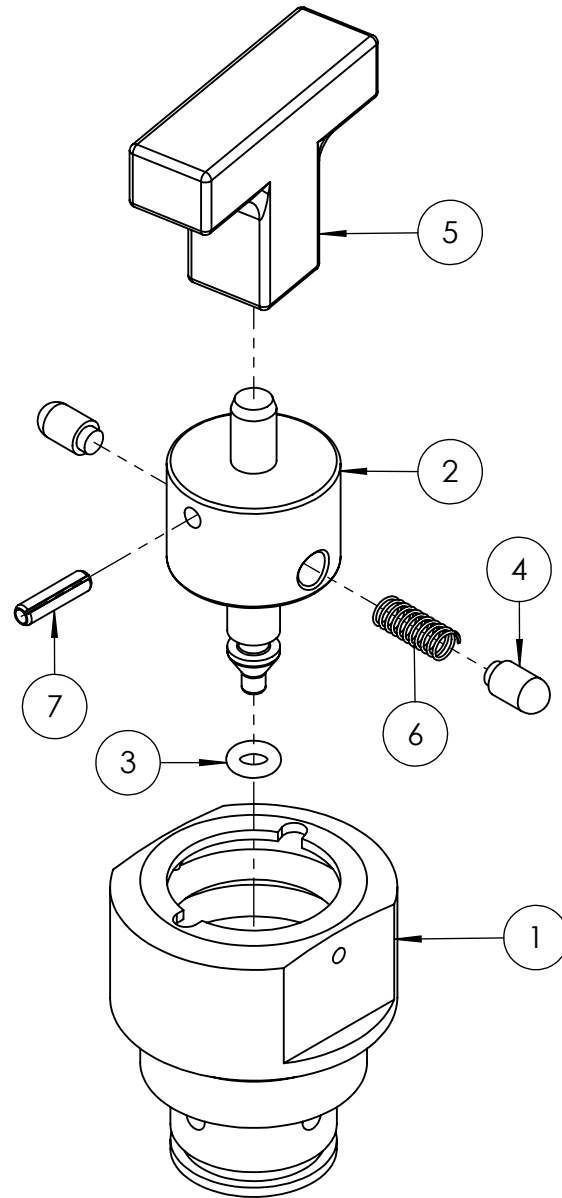
19

20

| ITEM NO. | PART NUMBER | DESCRIPTION | QTY. |
|----------|-------------|--|------|
| 1 | SEC010RF001 | O-RING - I.D. 6.35mm, C.S. 1.78mm, NITRILE 90 | 1 |
| 2 | SEC014PE001 | HIGH PRESSURE SEAL | 1 |
| 3 | SEC019RE002 | O-RING - I.D. 18.77mm, C.S. 1.78mm, NITRILE 90 | 1 |
| 4 | SEC013RA001 | O-RING - I.D. 9.25mm, C.S. 1.78mm, NITRILE 90 | 2 |
| 5 | SEC007RA001 | O-RING - I.D. 3.69mm, C.S. 1.78mm | 1 |
| 6 | STC040TA002 | SPIRAL RING, I.D. 40mm | 1 |
| 7 | BSC047PC001 | BEARING | 2 |
| 8 | SEC047PA001 | LOW PRESSURE SEAL | 1 |
| 9 | STC050BA001 | CIRCLIP, INTERNAL 50mm x 2mm DIN472 | 1 |
| 10 | BAC008TN001 | Ø8mm BALL -STAINLESS STEEL GRADE 420 | 1 |
| 11 | BAC012TN001 | Ø12mm BALL -STAINLESS STEEL GRADE 420 | 1 |
| 12 | WAC030KD000 | M30 DOWTY WASHER | 1 |
| 13 | WAC018KD000 | M18 DOWTY WASHER | 1 |
| 14 | WAC020KD001 | M20 DOWTY WASHER | 1 |
| 15 | WAC016KD002 | M16 DOWTY WASHER | 1 |
| 16 | SEC010YA001 | SEAL | 1 |
| 17 | WAC010HD000 | 3/8" BSP DOWTY WASHER | 1 |
| 18 | 15488 | GASKET | 1 |
| 19 | SEC012YA001 | SEAL | 1 |

IMPORTANT

WHEN ORDERING SPARES YOU MUST STATE THE FULL PART NUMBER AND THE PRODUCT SERIAL NUMBER - FROM THE LABEL TO PROTECT YOUR WARRANTY ALWAYS USE GENUINE HI-FORCE PARTS.



| ITEM NO. | PART NUMBER | DESCRIPTION | QTY. | SPARE PART AVAILABILITY | SERVICE KIT CONTENTS |
|----------|-------------|-----------------------------------|------|-------------------------|----------------------|
| 1 | HTC100CB002 | CHANGE OVER VALVE BODY | 1 | ✘ | |
| 2 | HTC100CM001 | CHANGE OVER PLUNGER | 1 | ✘ | |
| 3 | SEC007RA001 | O-RING - I.D. 3.69mm, C.S. 1.78mm | 1 | ✘ | ✓ |
| 4 | PCC005FB001 | DOWEL PIN | 2 | | |
| 5 | HLC006KT001 | HANDLE | 1 | | |
| 6 | SPC005CA006 | SPRING | 1 | | |
| 7 | PCC003SC001 | Ø3 x 12 mm SELLOCK PIN | 1 | | |

| | |
|----|------|
| 1 | 5726 |
| 2 | 5932 |
| 3 | |
| 4 | |
| 5 | |
| 6 | |
| 7 | |
| 8 | |
| 9 | |
| 10 | |
| 11 | |
| 12 | |
| 13 | |
| 14 | |
| 15 | |
| 16 | |
| 17 | |
| 18 | |
| 19 | |
| 20 | |

NOTE:

- ALL PARTS AVAILABLE TO ORDER AS AN INDIVIDUAL SPARE PART UNLESS MARKED ✘

PARTS MARKED ✓ ARE ONLY AVAILABLE IN THE FOLLOWING SERVICE KITS:

- MHX100PUSK01
- MHX300PUSK01
- MHX500PUSK01
- MHX700PUSK01
- MHX1000PUSK01

IMPORTANT

WHEN ORDERING SPARES YOU MUST STATE THE FULL PART NUMBER AND THE PRODUCT SERIAL NUMBER - FROM THE LABEL TO PROTECT YOUR WARRANTY ALWAYS USE GENUINE HI-FORCE PARTS.

REVISION

1 5726

2

3

4

5

6

7

8

9

10

11

12

13

14

15

16

17

18

19

20

