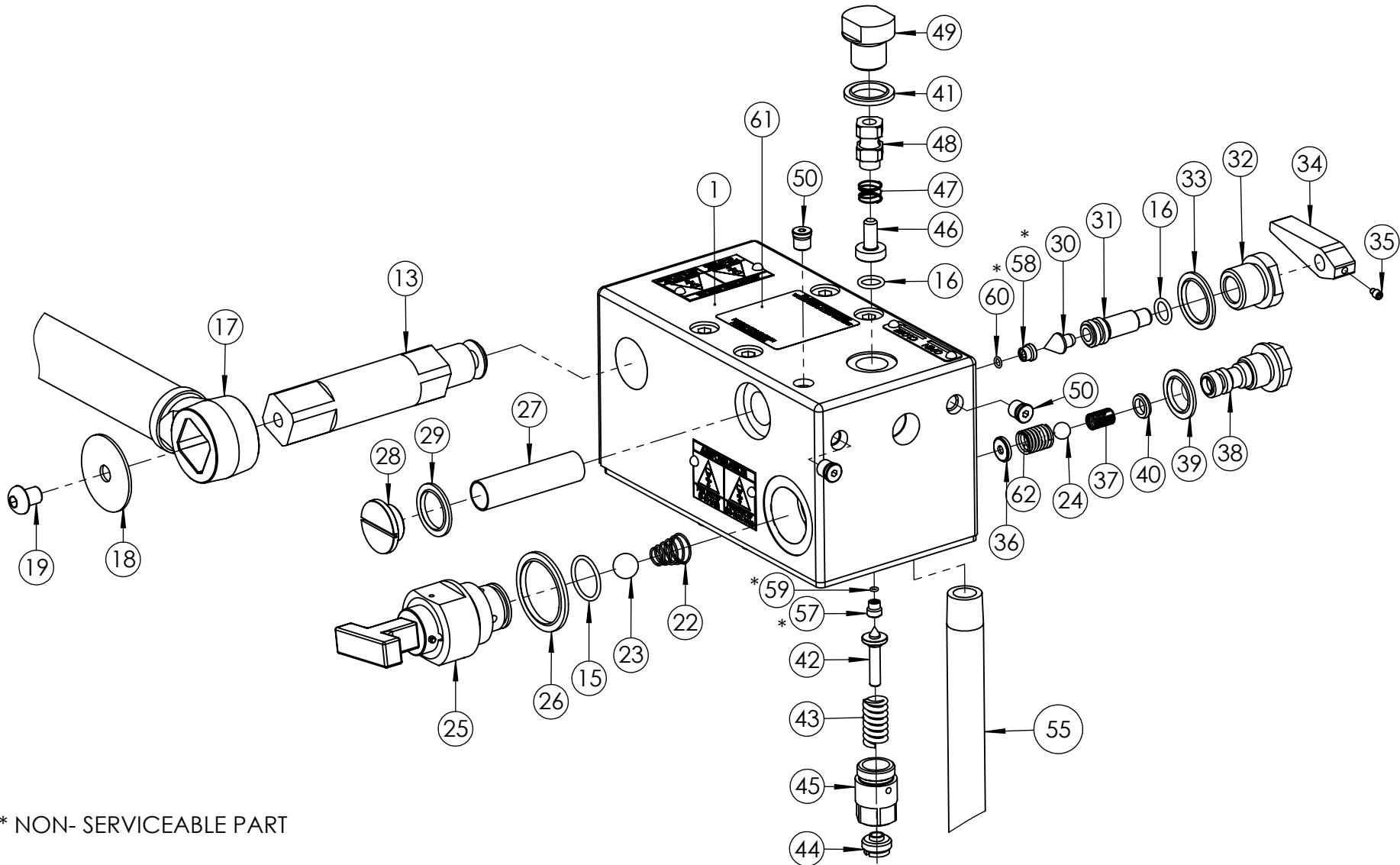


REVISION

1	5726
2	5751
3	5791
4	5808
5	5960
6	
7	
8	
9	
10	
11	
12	
13	
14	
15	
16	
17	
18	
19	
20	



* NON- SERVICEABLE PART

IMPORTANT
WHEN ORDERING SPARES YOU MUST STATE THE FULL PART NUMBER AND THE
PRODUCT SERIAL NUMBER - FROM THE LABEL
TO PROTECT YOUR WARRANTY ALWAYS USE GENUINE HI-FORCE PARTS.

MANUALLY OPERATED HYDROTEST PUMP,
MAX PRESSURE 500 Bar

SERIAL NUMBERS
FROM BS0789

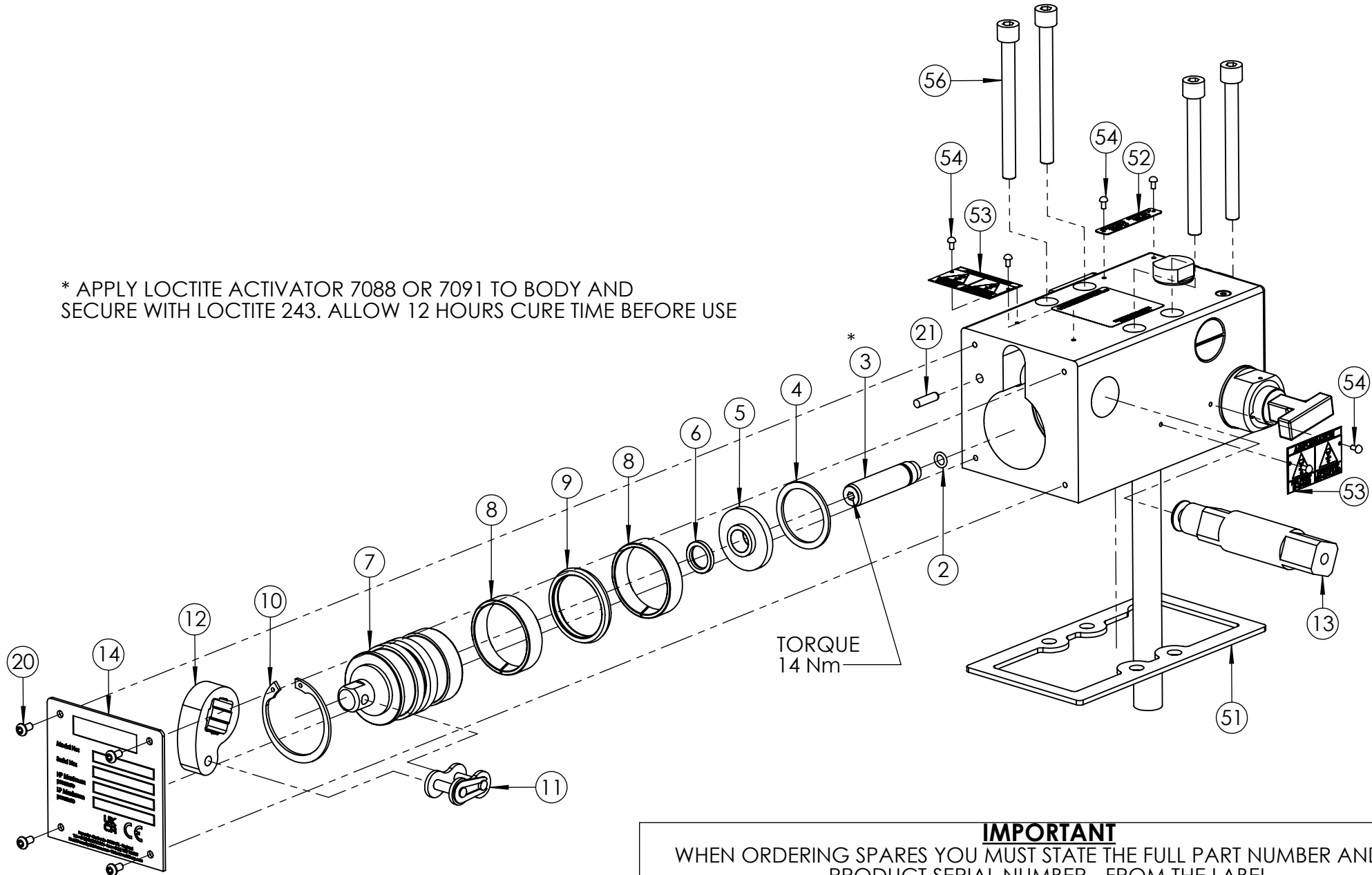
PRODUCT NO.
MHX500PU

SHT 2 OF
4 SHTS

REVISION

1	5726
2	5751
3	5791
4	5808
5	5960
6	
7	
8	
9	
10	
11	
12	
13	
14	
15	
16	
17	
18	
19	
20	

* APPLY LOCTITE ACTIVATOR 7088 OR 7091 TO BODY AND
SECURE WITH LOCTITE 243. ALLOW 12 HOURS CURE TIME BEFORE USE



TORQUE
14 Nm

IMPORTANT

WHEN ORDERING SPARES YOU MUST STATE THE FULL PART NUMBER AND THE
PRODUCT SERIAL NUMBER - FROM THE LABEL
TO PROTECT YOUR WARRANTY ALWAYS USE GENUINE HI-FORCE PARTS.

MANUALLY OPERATED HYDROTEST PUMP,
MAX PRESSURE 500 Bar

SERIAL NUMBERS
FROM BS0789

PRODUCT NO.
MHX500PU

SHT 3 OF
4 SHTS

ITEM NO.	PART NUMBER	DESCRIPTION	QTY.	SPARE PART AVAILABILITY	SERVICE KIT CONTENTS	ITEM NO.	PART NUMBER	DESCRIPTION	QTY.	SPARE PART AVAILABILITY	SERVICE KIT CONTENTS	REVISION	
1	HTC070MB003	BODY (MHX100-700)	1	X		24	BAC008TN001	Ø8mm BALL -STAINLESS STEEL GRADE 420	1		✓	1	5726
2	SEC010RF001	O-RING - I.D. 6.35mm, C.S. 1.78mm, NITRILE 90	1		✓	25	HTA100CB001	CHANGE OVER VALVE	1			2	5751
3	HTC050PH002	HIGH PRESSURE PISTON	1			26	WAC030KD000	M30 DOWTY WASHER	1		✓	3	5791
4	STC040TA002	SPIRAL RING, I.D. 40mm	1		✓	27	HTC100FF001	FILTER	1			4	5808
5	HTC050PR003	SEAL RETAINER	1			28	HTC100FG001	FILTER RETAIN SCREW	1			5	5960
6	SEC014PE001	HIGH PRESSURE SEAL	1		✓	29	WAC018KD000	M18 DOWTY WASHER	1		✓	6	
7	HTC050PL002	LOW PRESSURE PISTON	1			30	HTC100RS003	RELEASE VALVE	1			7	
8	BSC047PC001	BEARING	2		✓	31	HTC100RM004	RELEASE VALVE SPINDLE	1			8	
9	SEC047PA001	LOW PRESSURE SEAL	1		✓	32	HTC100RB003	RELEASE VALVE BODY	1			9	
10	STC050BA001	CIRCLIP, INTERNAL 50mm x 2mm DIN472	1		✓	33	WAC020KD001	M20 DOWTY WASHER	1		✓	10	
11	STC006KD002	CONNECTING LINK	1			34	HLC008LS001	LEVER	1			11	
12	HTC100MK002	CRANKSHAFT LEVER	1			35	FAS004MD006	M4 X 6 HEX SOCKET DOG POINT SCREW	1			12	
13	HTC100MC001	CRANKSHAFT	1			36	HTC100VS009	VALVE SEAT	1			13	
14	LAC100WC001	NAMEPLATE	1	X		37	SPC007CA003	COMPRESSION SPRING	1			14	
15	SEC019RE002	O-RING - I.D. 18.77mm, C.S. 1.78mm, NITRILE 90	1		✓	38	HTC100MV011	SPRING RETAINER	1			15	
16	SEC013RA001	O-RING - I.D. 9.25mm, C.S. 1.78mm, NITRILE 90	2		✓	39	WAC016KD002	M16 DOWTY WASHER	1		✓	16	
17	HLA029BL001	HANDLE ASSEMBLY	1			40	SEC012YA001	SEAL	1		✓	17	
18	WAC006PC001	PENNY WASHER	1			<p>NOTE: - ALL PARTS ARE AVAILBLE TO ORDER AS INDIVIDUAL SPARE PARTS, UNLESS MARKED WITH x</p> <p>- ALL PARTS MARKED WITH ✓ ARE ALSO AVAILABLE SERVICEABLE PARTS FOUND IN: SERVICE KIT MHX500PUSK01 (REFER TO MHX500PUSK01 EVD FOR FURTHER DETAILS)</p> <p>- FOR FURTHER DETAILS ON HTA100CB001, PLEASE REFER TO HTA100CB001 EVD.</p>						18	
19	BLC008KH010	M8 X 10mm, HEX SOCKET BUTTON HEAD SCREW	1									19	
20	BLC004-H008	M4 X 8mm, HEX SOCKET BUTTON HEAD SCREW	4									20	
21	PCC005FC001	PIN DOWEL Ø5 X 18mm	1										
22	SPC015PB001	CONICAL SPRING	1										
23	BAC012TN001	Ø12mm BALL -STAINLESS STEEL GRADE 420	1		✓								

MANUALLY OPERATED HYDROTEST PUMP,
MAX PRESSURE 500 Bar

SERIAL NUMBERS
FROM BS0789

PRODUCT NO.
MHX500PU

SHT 4 OF
4 SHTS

ITEM NO.	PART NUMBER	DESCRIPTION	QTY.	SPARE PART AVAILABILITY	SERVICE KIT CONTENTS
41	WAC010HD000	3/8" BSP DOWTY WASHER	1		✓
42	VRC001GS002	VALVE STEM	1		
43	SPC012CB001	SPRING	1		
44	VRC001JS002	ADJUSTER SCREW	1		
45	VRC001HS003	VALVE BODY	1		
46	HTC100MV008	OUTLET SEAL	1		
47	SPC013CB001	COMPRESSION SPRING	1		
48	HTC100MV004	OUTLET SEAL GUIDE	1		
49	HTC100BG001	GAUGE PORT BOLT	1		
50	FPC008PM001	M8 ZERO LEAK PLUG	3		
51	15488	GASKET	1		✓
52	LAC100WC002	RELEASE LABEL	1		
53	LAC100WC003	PRESSURE SELECTION LABEL	2		
54	FAS002HZ001	NO.4 x 3/16 HAMMER DRIVE SCREW	6		
55	TAC000PA003	SUCTION PIPE	1		
56	BLC008KC090	M8 X 90mm, HEX SOCKET CAP HEAD SCREW	4		
57	VRC001VS001	VALVE SEAT	1	X	
58	HTC100RS004	VALVE SEAT	1	X	
59	SEC004RF001	O-RING - I.D. 2.0mm, C.S. 1.0mm, NITRILE 90	1	X	
60	SEC005RF002	O-RING - I.D. 3.5mm. C.S. 1.0mm, NITRILE 90	1	X	
61	LAC000WP001	HIGH/LOW CHANGE OVER LABEL	1		
62	SPC012CB002	COMPRESSION SPRING	1		

NOTE:

- ALL PARTS ARE AVAILABLE TO ORDER AS INDIVIDUAL SPARE PARTS, UNLESS MARKED WITH **x**

- ALL PARTS MARKED WITH ✓ ARE ALSO AVAILABLE SERVICEABLE PARTS FOUND IN: SERVICE KIT **MHX500PUSK01** (REFER TO MHX500PUSK01 EVD FOR FURTHER DETAILS)

REVISION

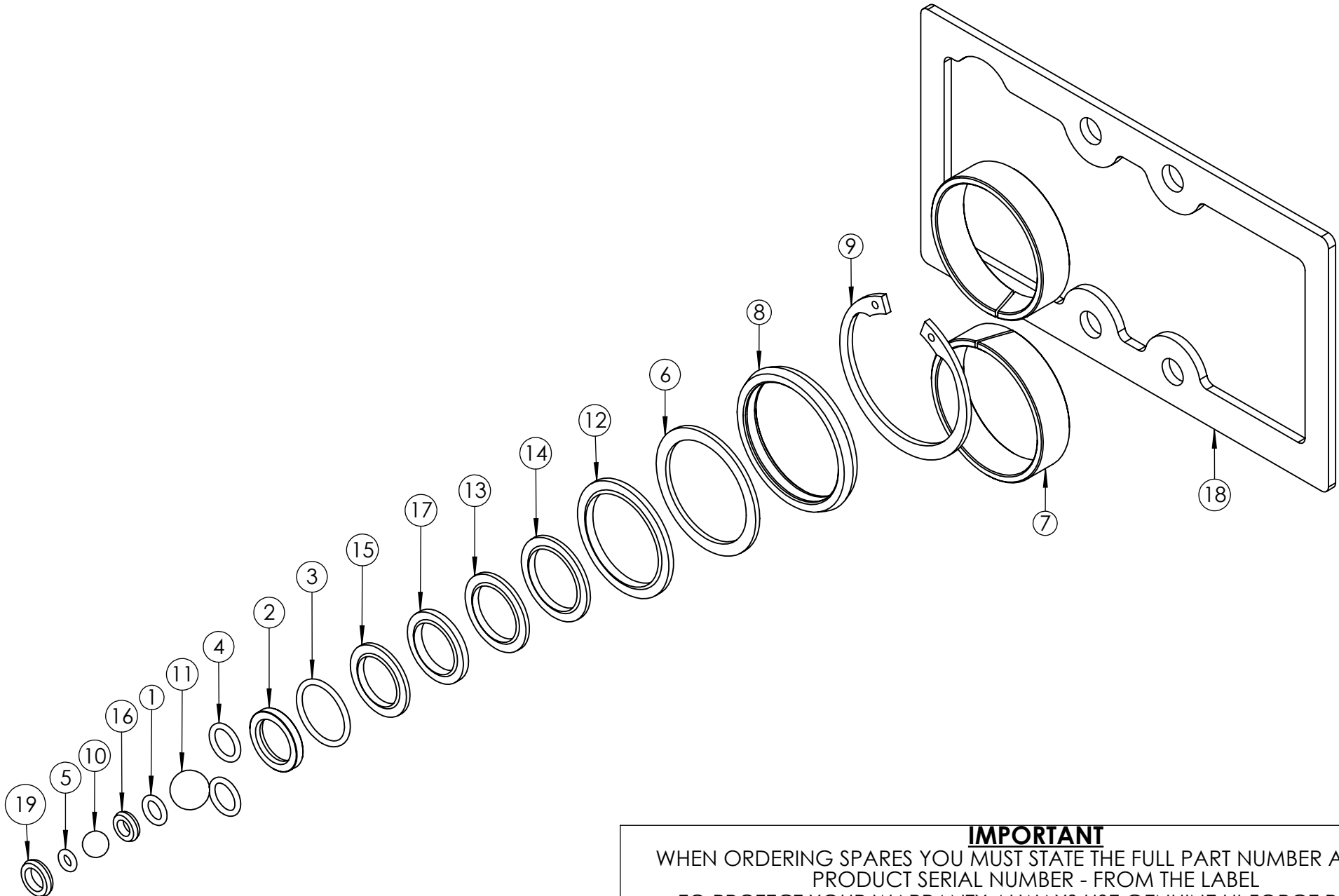
1	5726
2	5751
3	5791
4	5808
5	5960
6	
7	
8	
9	
10	
11	
12	
13	
14	
15	
16	
17	
18	
19	
20	

IMPORTANT

WHEN ORDERING SPARES YOU MUST STATE THE FULL PART NUMBER AND THE PRODUCT SERIAL NUMBER - FROM THE LABEL TO PROTECT YOUR WARRANTY ALWAYS USE GENUINE HI-FORCE PARTS.

REVISION

1	5726
2	5808
3	5977
4	
5	
6	
7	
8	
9	
10	
11	
12	
13	
14	
15	
16	
17	
18	
19	
20	



IMPORTANT
WHEN ORDERING SPARES YOU MUST STATE THE FULL PART NUMBER AND THE PRODUCT SERIAL NUMBER - FROM THE LABEL TO PROTECT YOUR WARRANTY ALWAYS USE GENUINE HI-FORCE PARTS.

MHX500PUSK01 SERVICE KIT

SERIAL NUMBERS

FROM BQ6940

PRODUCT NO.

MHX500PUSK01

SHT 2 OF
2 SHTS

REVISION

1 5726

2 5808

3 5977

4

5

6

7

8

9

10

11

12

13

14

15

16

17

18

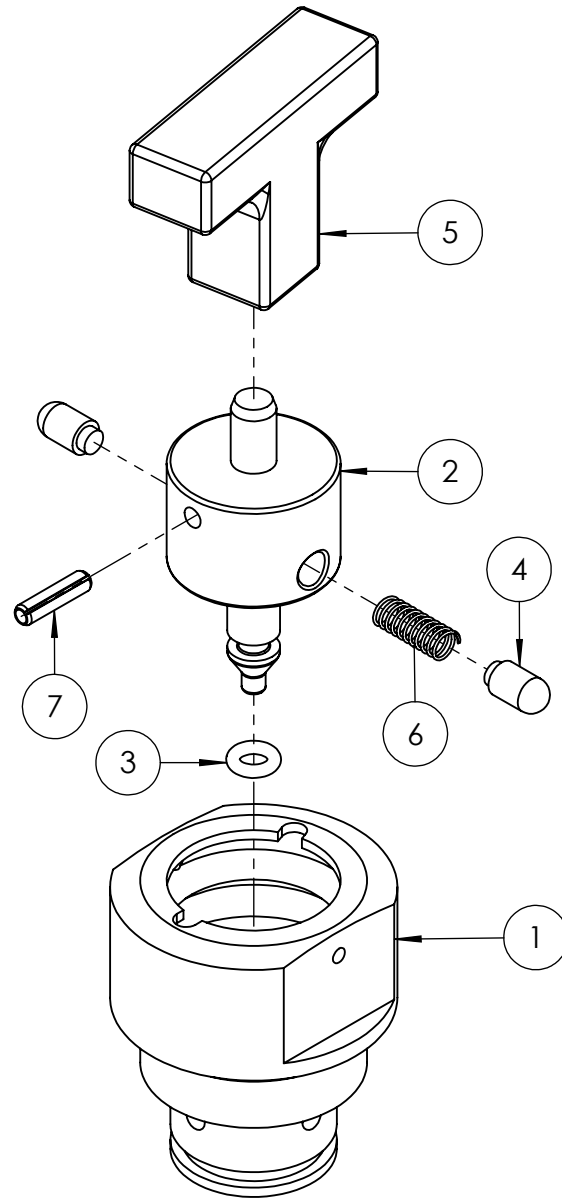
19

20

ITEM NO.	PART NUMBER	DESCRIPTION	QTY.
1	SEC010RF001	O-RING - I.D. 6.35mm, C.S. 1.78mm, NITRILE 90	1
2	SEC014PE001	HIGH PRESSURE SEAL	1
3	SEC019RE002	O-RING - I.D. 18.77mm, C.S. 1.78mm, NITRILE 90	1
4	SEC013RA001	O-RING - I.D. 9.25mm, C.S. 1.78mm, NITRILE 90	2
5	SEC007RA001	O-RING - I.D. 3.69mm, C.S. 1.78mm	1
6	STC040TA002	SPIRAL RING, I.D. 40mm	1
7	BSC047PC001	BEARING	2
8	SEC047PA001	LOW PRESSURE SEAL	1
9	STC050BA001	CIRCLIP, INTERNAL 50mm x 2mm DIN472	1
10	BAC008TN001	Ø8mm BALL -STAINLESS STEEL GRADE 420	1
11	BAC012TN001	Ø12mm BALL -STAINLESS STEEL GRADE 420	1
12	WAC030KD000	M30 DOWTY WASHER	1
13	WAC018KD000	M18 DOWTY WASHER	1
14	WAC020KD001	M20 DOWTY WASHER	1
15	WAC016KD002	M16 DOWTY WASHER	1
16	SEC010YA001	SEAL	1
17	WAC010HD000	3/8" BSP DOWTY WASHER	1
18	15488	GASKET	1
19	SEC012YA001	SEAL	1

IMPORTANT

WHEN ORDERING SPARES YOU MUST STATE THE FULL PART NUMBER AND THE PRODUCT SERIAL NUMBER - FROM THE LABEL TO PROTECT YOUR WARRANTY ALWAYS USE GENUINE HI-FORCE PARTS.



ITEM NO.	PART NUMBER	DESCRIPTION	QTY.	SPARE PART AVAILABILITY	SERVICE KIT CONTENTS
1	HTC100CB002	CHANGE OVER VALVE BODY	1	✘	
2	HTC100CM001	CHANGE OVER PLUNGER	1	✘	
3	SEC007RA001	O-RING - I.D. 3.69mm, C.S. 1.78mm	1	✘	✓
4	PCC005FB001	DOWEL PIN	2		
5	HLC006KT001	HANDLE	1		
6	SPC005CA006	SPRING	1		
7	PCC003SC001	Ø3 x 12 mm SELLOCK PIN	1		

1	5726
2	5932
3	
4	
5	
6	
7	
8	
9	
10	
11	
12	
13	
14	
15	
16	
17	
18	
19	
20	

NOTE:

- ALL PARTS AVAILABLE TO ORDER AS AN INDIVIDUAL SPARE PART UNLESS MARKED ✘

PARTS MARKED ✓ ARE ONLY AVAILABLE IN THE FOLLOWING SERVICE KITS:

- MHX100PUSK01
- MHX300PUSK01
- MHX500PUSK01
- MHX700PUSK01
- MHX1000PUSK01

IMPORTANT

WHEN ORDERING SPARES YOU MUST STATE THE FULL PART NUMBER AND THE PRODUCT SERIAL NUMBER - FROM THE LABEL TO PROTECT YOUR WARRANTY ALWAYS USE GENUINE HI-FORCE PARTS.

REVISION

1 5726

2

3

4

5

6

7

8

9

10

11

12

13

14

15

16

17

18

19

20

