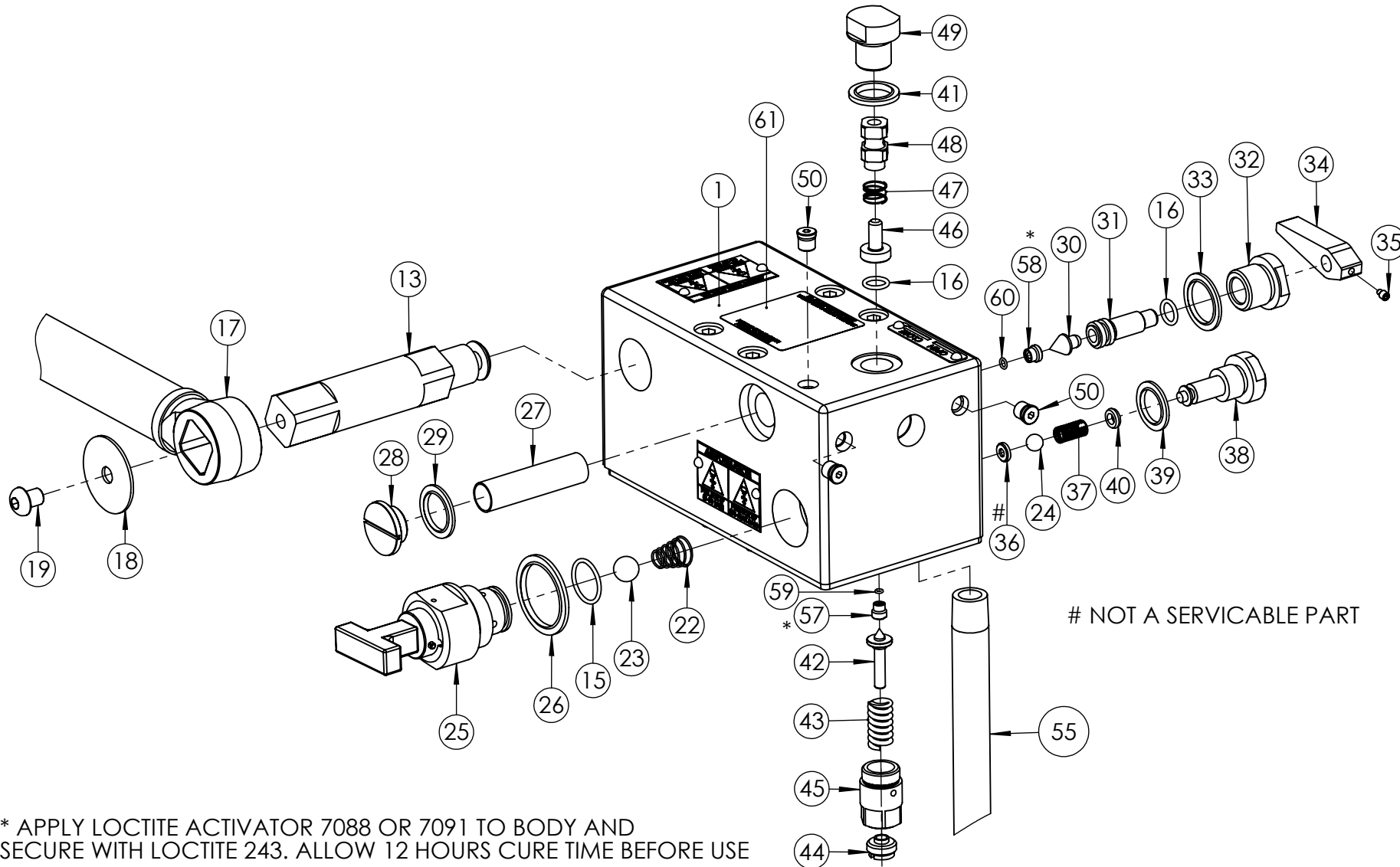


REVISION

| | |
|----------|-------------|
| 1 | 5726 |
| 2 | 5751 |
| 3 | 5791 |
| 4 | 5808 |
| 5 | |
| 6 | |
| 7 | |
| 8 | |
| 9 | |
| 10 | |
| 11 | |
| 12 | |
| 13 | |
| 14 | |
| 15 | |
| 16 | |
| 17 | |
| 18 | |
| 19 | |
| 20 | |



* APPLY LOCTITE ACTIVATOR 7088 OR 7091 TO BODY AND SECURE WITH LOCTITE 243. ALLOW 12 HOURS CURE TIME BEFORE USE

NOT A SERVICABLE PART

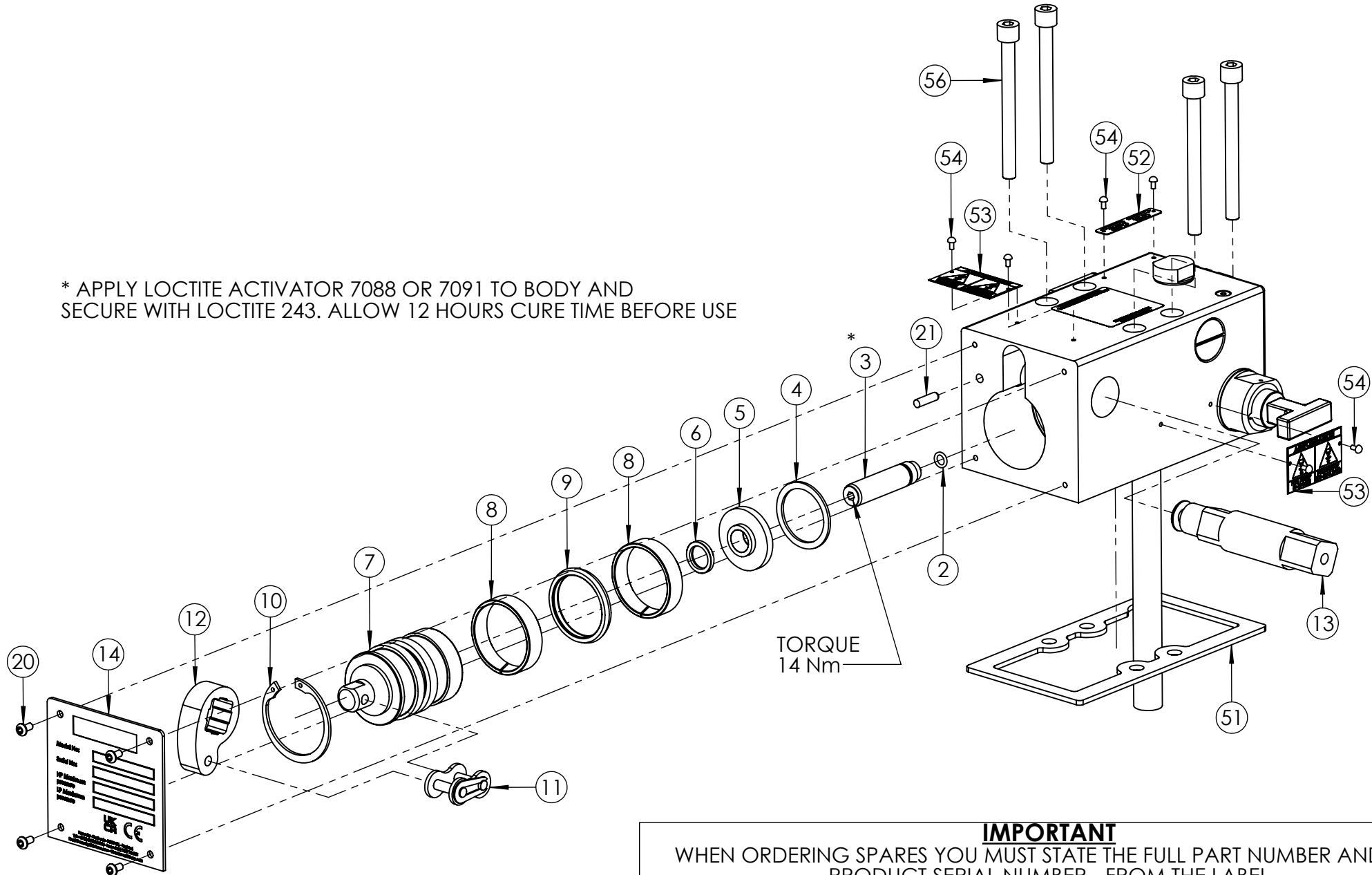
IMPORTANT

WHEN ORDERING SPARES YOU MUST STATE THE FULL PART NUMBER AND THE PRODUCT SERIAL NUMBER - FROM THE LABEL TO PROTECT YOUR WARRANTY ALWAYS USE GENUINE HI-FORCE PARTS.

REVISION

| | |
|----------|-------------|
| 1 | 5726 |
| 2 | 5751 |
| 3 | 5791 |
| 4 | 5808 |
| 5 | |
| 6 | |
| 7 | |
| 8 | |
| 9 | |
| 10 | |
| 11 | |
| 12 | |
| 13 | |
| 14 | |
| 15 | |
| 16 | |
| 17 | |
| 18 | |
| 19 | |
| 20 | |

* APPLY LOCTITE ACTIVATOR 7088 OR 7091 TO BODY AND
SECURE WITH LOCTITE 243. ALLOW 12 HOURS CURE TIME BEFORE USE



TORQUE
14 Nm

IMPORTANT

WHEN ORDERING SPARES YOU MUST STATE THE FULL PART NUMBER AND THE
PRODUCT SERIAL NUMBER - FROM THE LABEL
TO PROTECT YOUR WARRANTY ALWAYS USE GENUINE HI-FORCE PARTS.

| ITEM NO. | PART NUMBER | DESCRIPTION | QTY. | SERVICE PARTS |
|----------|-------------|--|------|---------------|
| 1 | HTC070MB002 | BODY (MHX100-700) | 1 | X |
| 2 | SEC010RF001 | O-RING - I.D. 6.35mm, C.S. 1.78mm, NITRILE 90 | 1 | ✓ |
| 3 | HTC050PH002 | HIGH PRESSURE PISTON | 1 | |
| 4 | STC040TA002 | SPIRAL RING, I.D. 40mm | 1 | ✓ |
| 5 | HTC050PR003 | SEAL RETAINER | 1 | |
| 6 | SEC014PE001 | HIGH PRESSURE SEAL | 1 | ✓ |
| 7 | HTC050PL002 | LOW PRESSURE PISTON | 1 | |
| 8 | BSC047PC001 | BEARING | 2 | ✓ |
| 9 | SEC047PA001 | LOW PRESSURE SEAL | 1 | ✓ |
| 10 | STC050BA001 | CIRCLIP, INTERNAL 50mm x 2mm DIN472 | 1 | ✓ |
| 11 | STC006KD002 | CONNECTING LINK | 1 | |
| 12 | HTC100MK002 | CRANKSHAFT LEVER | 1 | |
| 13 | HTC100MC001 | CRANKSHAFT | 1 | |
| 14 | LAC100WC001 | NAMEPLATE | 1 | X |
| 15 | SEC019RE002 | O-RING - I.D. 18.77mm, C.S. 1.78mm, NITRILE 90 | 1 | ✓ |
| 16 | SEC013RA001 | O-RING - I.D. 9.25mm, C.S. 1.78mm, NITRILE 90 | 2 | ✓ |
| 17 | HLA029BL001 | HANDLE ASSEMBLY | 1 | |
| 18 | WAC006PC001 | PENNY WASHER | 1 | |
| 19 | BLC008KH010 | M8 X 10mm, HEX SOCKET BUTTON HEAD SCREW | 1 | |
| 20 | BLC004-H008 | M4 X 8mm, HEX SOCKET BUTTON HEAD SCREW | 4 | |
| 21 | PCC005FC001 | PIN DOWEL Ø5 X 18mm | 1 | |
| 22 | SPC015PB001 | CONICAL SPRING | 1 | |
| 23 | BAC012TN001 | Ø12mm BALL -STAINLESS STEEL GRADE 420 | 1 | ✓ |

| ITEM NO. | PART NUMBER | DESCRIPTION | QTY. | SERVICE PARTS | REVISION |
|----------|--------------------|--------------------------------------|------|---------------|----------|
| 24 | BAC008TN001 | Ø8mm BALL -STAINLESS STEEL GRADE 420 | 1 | ✓ | 1 5726 |
| 25 | HTA100CB001 | CHANGE OVER VALVE | 1 | | 2 5751 |
| 26 | WAC030KD000 | M30 SELF CENTERING DOWTY WASHER | 1 | ✓ | 3 5791 |
| 27 | HTC100FF001 | FILTER | 1 | | 4 5808 |
| 28 | HTC100FG001 | FILTER RETAIN SCREW | 1 | | 5 |
| 29 | WAC018KD000 | M18 DOWTY WASHER | 1 | ✓ | 6 |
| 30 | HTC100RS003 | RELEASE VALVE | 1 | | 7 |
| 31 | HTC100RM004 | RELEASE VALVE SPINDLE | 1 | | 8 |
| 32 | HTC100RB003 | RELEASE VALVE BODY | 1 | | 9 |
| 33 | WAC020KD001 | M20 DOWTY WASHER | 1 | ✓ | 10 |
| 34 | HLC008LS001 | LEVER | 1 | | 11 |
| 35 | FAS004MD006 | M4 X 6 HEX SOCKET DOG POINT SCREW | 1 | | 12 |
| 36 | HTC100VS007 | VALVE SEAT | 1 | X | 13 |
| 37 | SPC007CA003 | COMPRESSION SPRING | 1 | | 14 |
| 38 | HTC100MV010 | SUCTION SPRING RETAINER | 1 | | 15 |
| 39 | WAC016KD002 | M16 DOWTY WASHER | 1 | ✓ | 16 |
| 40 | SEC010YA001 | SEAL | 1 | ✓ | 17 |

NOTE:

- ALL PARTS ARE AVAILABLE TO BE ORDERED AS SPARE PARTS, UNLESS MARKED WITH **x**
- ALL PARTS MARKED WITH ✓ ARE ALSO AVAILABLE SERVICEABLE PARTS FOUND IN: SERVICE KIT **MHX500PUSK01** (REFER TO MHX500PUSK01 EVD FOR FURTHER DETAILS)
- FOR FURTHER DETAILS ON **HTA100CB001**, PLEASE REFER TO HTA100CB001 EVD.

IMPORTANT

WHEN ORDERING SPARES YOU MUST STATE THE FULL PART NUMBER AND THE PRODUCT SERIAL NUMBER - FROM THE LABEL TO PROTECT YOUR WARRANTY ALWAYS USE GENUINE HI-FORCE PARTS.

| ITEM NO. | PART NUMBER | DESCRIPTION | QTY. | SERVICE PARTS |
|----------|--------------------|---|------|---------------|
| 41 | WAC010HD000 | 3/8" BSP DOWTY WASHER | 1 | ✓ |
| 42 | VRC001GS002 | VALVE STEM | 1 | |
| 43 | SPC012CB001 | SPRING | 1 | |
| 44 | VRC001JS002 | ADJUSTER SCREW | 1 | |
| 45 | VRC001HS003 | VALVE BODY | 1 | |
| 46 | HTC100MV008 | OUTLET SEAL | 1 | |
| 47 | SPC013CB001 | COMPRESSION SPRING | 1 | |
| 48 | HTC100MV004 | OUTLET SEAL GUIDE | 1 | |
| 49 | HTC100BG001 | GAUGE PORT BOLT | 1 | |
| 50 | FPC008PM001 | M8 ZERO LEAK PLUG | 3 | |
| 51 | 15488 | GASKET | 1 | ✓ |
| 52 | LAC100WC002 | RELEASE LABEL | 1 | |
| 53 | LAC100WC003 | PRESSURE SELECTION LABEL | 2 | |
| 54 | FAS002HZ001 | NO.4 x 3/16 BRASS HAMMER DRIVE SCREW | 6 | |
| 55 | TAC000PA003 | SUCTION PIPE | 1 | |
| 56 | BLC008KC090 | M8 X 90mm, HEX SOCKET CAP HEAD SCREW | 4 | |
| 57 | VRC001VS001 | VALVE SEAT | 1 | |
| 58 | HTC100RS004 | VALVE SEAT | 1 | |
| 59 | SEC004RF001 | O-RING - I.D. 2.0mm, C.S. 1.0mm, NITRILE 90 | 1 | ✓ |
| 60 | SEC005RF002 | O-RING - I.D. 3.5mm. C.S. 1.0mm, NITRILE 90 | 1 | ✓ |
| 61 | LAC000WP001 | HIGH/LOW CHANGE OVER LABEL | 1 | |

NOTE:

- ALL PARTS ARE AVAILBLE TO BE ORDERED AS SPARE PARTS, UNLESS MARKED WITH **x**

- ALL PARTS MARKED WITH ✓ ARE ALSO AVAILABLE SERVICEABLE PARTS FOUND IN: SERVICE KIT **MHX500PUSK01** (REFER TO MHX500PUSK01 EVD FOR FURTHER DETAILS)

- VRC001VS001, REQUIRES A FITTING TOOL (ATC010PH002), WHICH IS AVAILBLE FOR ORDER SEPARATELY.

- HTC100RS004, REQUIRES A FITTING TOOL (ATC010PH001), WHICH IS AVAILBLE FOR ORDER SEPARATELY.

REVISION

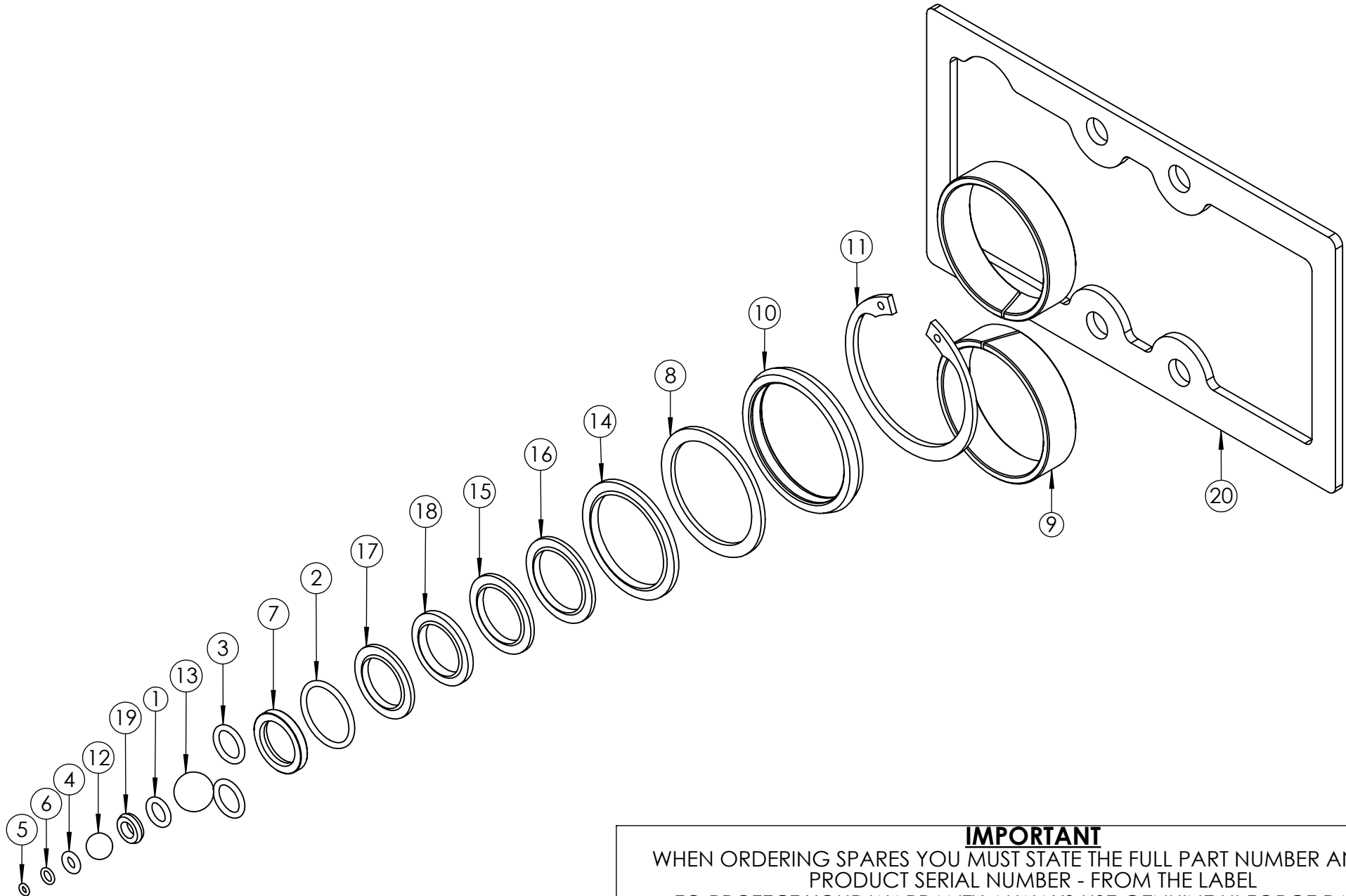
| | |
|----------|------|
| 1 | 5726 |
| 2 | 5751 |
| 3 | 5791 |
| 4 | 5808 |
| 5 | |
| 6 | |
| 7 | |
| 8 | |
| 9 | |
| 10 | |
| 11 | |
| 12 | |
| 13 | |
| 14 | |
| 15 | |
| 16 | |
| 17 | |
| 18 | |
| 19 | |
| 20 | |

IMPORTANT

WHEN ORDERING SPARES YOU MUST STATE THE FULL PART NUMBER AND THE PRODUCT SERIAL NUMBER - FROM THE LABEL TO PROTECT YOUR WARRANTY ALWAYS USE GENUINE HI-FORCE PARTS.

REVISION

| | |
|----|------|
| 1 | 5726 |
| 2 | 5808 |
| 3 | |
| 4 | |
| 5 | |
| 6 | |
| 7 | |
| 8 | |
| 9 | |
| 10 | |
| 11 | |
| 12 | |
| 13 | |
| 14 | |
| 15 | |
| 16 | |
| 17 | |
| 18 | |
| 19 | |
| 20 | |



IMPORTANT
WHEN ORDERING SPARES YOU MUST STATE THE FULL PART NUMBER AND THE
PRODUCT SERIAL NUMBER - FROM THE LABEL
TO PROTECT YOUR WARRANTY ALWAYS USE GENUINE HI-FORCE PARTS.

REVISION

1 5726

2 5808

3

4

5

6

7

8

9

10

11

12

13

14

15

16

17

18

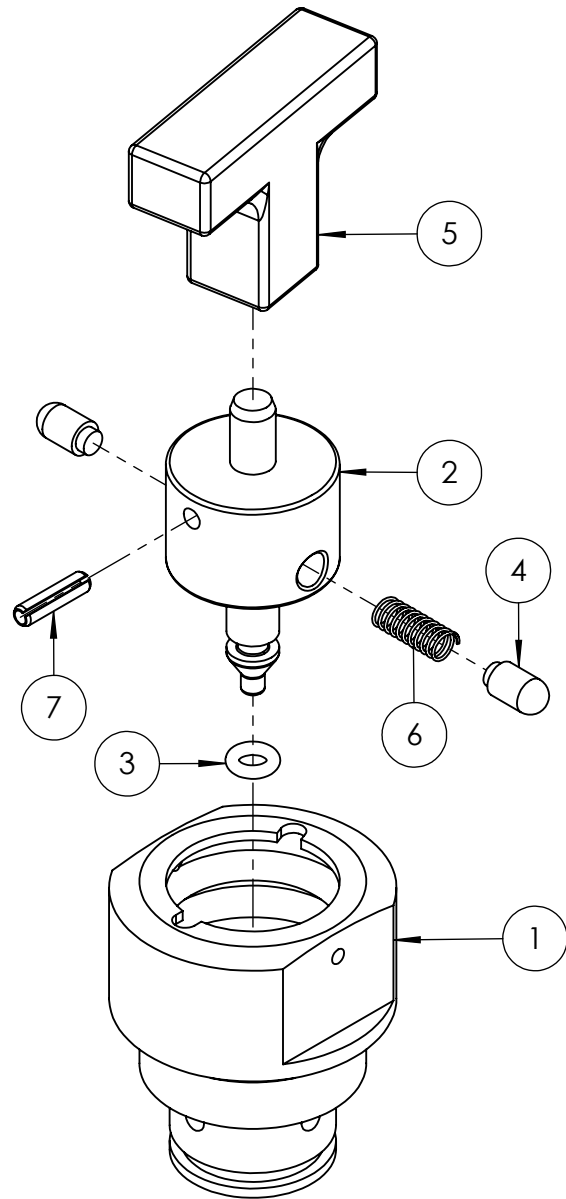
19

20

| ITEM NO. | PART NUMBER | DESCRIPTION | QTY. |
|----------|-------------|--|------|
| 1 | SEC010RF001 | O-RING - I.D. 6.35mm, C.S. 1.78mm, NITRILE 90 | 1 |
| 2 | SEC019RE002 | O-RING - I.D. 18.77mm, C.S. 1.78mm, NITRILE 90 | 1 |
| 3 | SEC013RA001 | O-RING - I.D. 9.25mm, C.S. 1.78mm, NITRILE 90 | 2 |
| 4 | SEC007RA001 | O-RING - I.D. 3.69mm, C.S. 1.78mm | 1 |
| 5 | SEC004RF001 | O-RING - I.D. 2.0mm, C.S. 1.0mm, NITRILE 90 | 1 |
| 6 | SEC005RF002 | O-RING - I.D. 3.5mm. C.S. 1.0mm, NITRILE 90 | 1 |
| 7 | SEC014PE001 | HIGH PRESSURE SEAL | 1 |
| 8 | STC040TA002 | SPIRAL RING, I.D. 40mm | 1 |
| 9 | BSC047PC001 | BEARING | 2 |
| 10 | SEC047PA001 | LOW PRESSURE SEAL | 1 |
| 11 | STC050BA001 | CIRCLIP, INTERNAL 50mm x 2mm DIN472 | 1 |
| 12 | BAC008TN001 | Ø8mm BALL -STAINLESS STEEL GRADE 420 | 1 |
| 13 | BAC012TN001 | Ø12mm BALL -STAINLESS STEEL GRADE 420 | 1 |
| 14 | WAC030KD000 | M30 SELF CENTERING DOWTY WASHER | 1 |
| 15 | WAC018KD000 | M18 DOWTY WASHER | 1 |
| 16 | WAC020KD001 | M20 DOWTY WASHER | 1 |
| 17 | WAC016KD002 | M16 DOWTY WASHER | 1 |
| 18 | WAC010HD000 | 3/8" BSP DOWTY WASHER | 1 |
| 19 | SEC010YA001 | SEAL | 1 |
| 20 | 15488 | GASKET | 1 |

IMPORTANT

WHEN ORDERING SPARES YOU MUST STATE THE FULL PART NUMBER AND THE PRODUCT SERIAL NUMBER - FROM THE LABEL TO PROTECT YOUR WARRANTY ALWAYS USE GENUINE HI-FORCE PARTS.



| ITEM NO. | PART NUMBER | DESCRIPTION | QTY. | SERVICE PARTS | REVISION |
|----------|-------------|-----------------------------------|------|---------------|----------|
| 1 | HTC100CB002 | CHANGE OVER VALVE BODY | 1 | | 1 5726 |
| 2 | HTC100CM001 | CHANGE OVER PLUNGER | 1 | | 2 |
| 3 | SEC007RA001 | O-RING - I.D. 3.69mm, C.S. 1.78mm | 1 | ✓ | 3 |
| 4 | PCC005FB001 | DOWEL PIN | 2 | | 4 |
| 5 | HLC006KT001 | HANDLE | 1 | | 5 |
| 6 | SPC005CA006 | SPRING | 1 | | 6 |
| 7 | PCC003RB006 | Ø3 x 12 mm SELLOCK PIN | 1 | | 7 |
| | | | | | 8 |
| | | | | | 9 |
| | | | | | 10 |
| | | | | | 11 |
| | | | | | 12 |
| | | | | | 13 |
| | | | | | 14 |
| | | | | | 15 |
| | | | | | 16 |
| | | | | | 17 |
| | | | | | 18 |
| | | | | | 19 |
| | | | | | 20 |

NOTE:

- ALL PARTS MARKED WITH ✓ ARE AVAILABLE SERVICEABLE PARTS FOUND IN ALL OF THE FOLLOWING SERVICE KITS:

- MHX100PUSK01
- MHX300PUSK01
- MHX500PUSK01
- MHX700PUSK01
- MHX1000PUSK01

IMPORTANT

WHEN ORDERING SPARES YOU MUST STATE THE FULL PART NUMBER AND THE PRODUCT SERIAL NUMBER - FROM THE LABEL TO PROTECT YOUR WARRANTY ALWAYS USE GENUINE HI-FORCE PARTS.

REVISION

1 5726

2

3

4

5

6

7

8

9

10

11

12

13

14

15

16

17

18

19

20

