

\* NON-SERVICABLE PART

REVISION

1	5726
2	5751
3	5791
4	5808
5	5960
6	
7	
8	
9	
10	
11	
12	
13	
14	
15	
16	
17	
18	
19	
20	

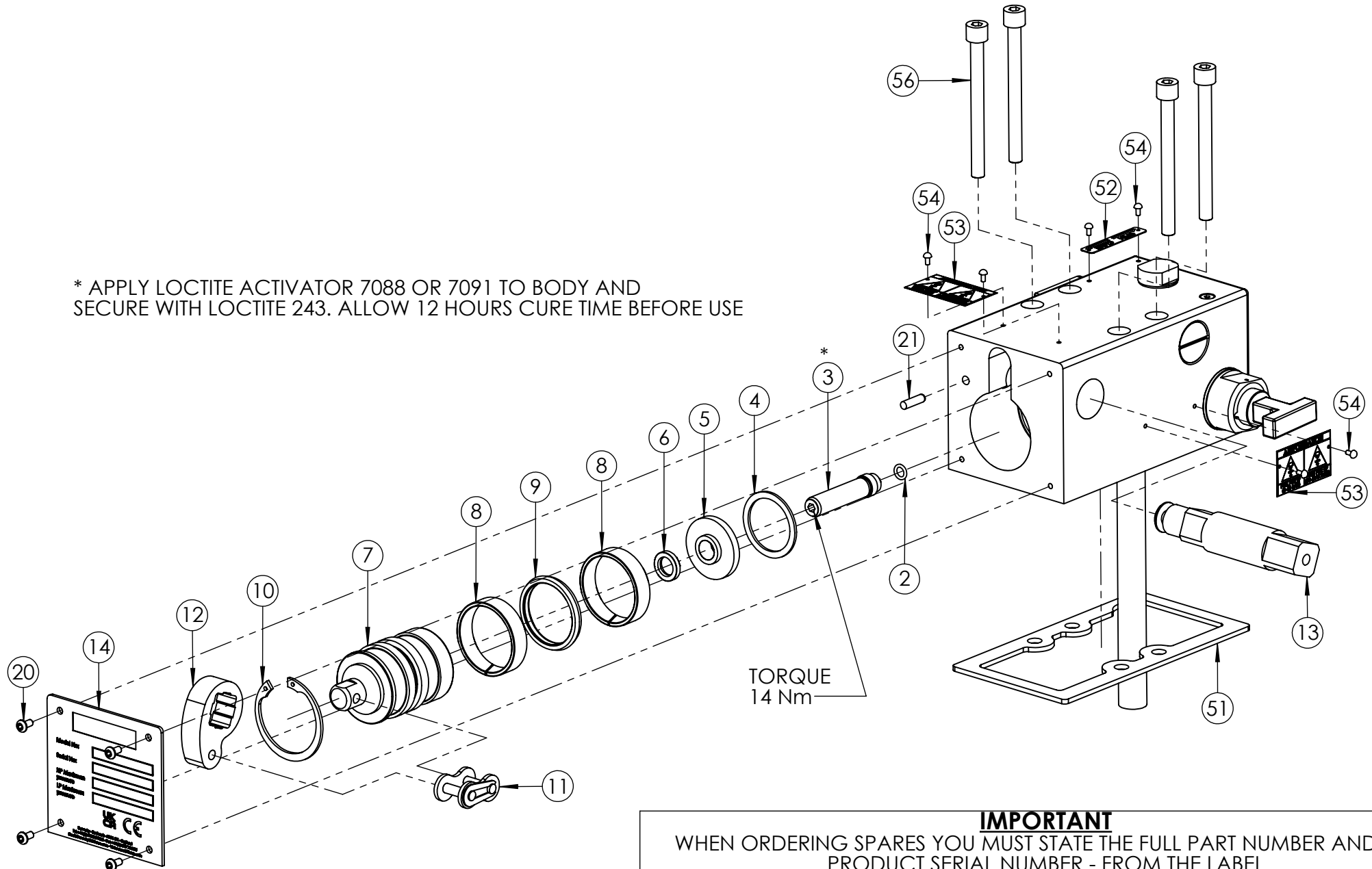
**IMPORTANT**

WHEN ORDERING SPARES YOU MUST STATE THE FULL PART NUMBER AND THE PRODUCT SERIAL NUMBER - FROM THE LABEL TO PROTECT YOUR WARRANTY ALWAYS USE GENUINE HI-FORCE PARTS.

REVISION

1	5726
2	5751
3	5791
4	5808
5	5960
6	
7	
8	
9	
10	
11	
12	
13	
14	
15	
16	
17	
18	
19	
20	

\* APPLY LOCTITE ACTIVATOR 7088 OR 7091 TO BODY AND  
SECURE WITH LOCTITE 243. ALLOW 12 HOURS CURE TIME BEFORE USE



**IMPORTANT**  
WHEN ORDERING SPARES YOU MUST STATE THE FULL PART NUMBER AND THE  
PRODUCT SERIAL NUMBER - FROM THE LABEL  
TO PROTECT YOUR WARRANTY ALWAYS USE GENUINE HI-FORCE PARTS.

MANUALLY OPERATED HYDROTEST PUMP,  
MAX PRESSURE 700 Bar

SERIAL NUMBERS  
FROM BS0789

PRODUCT NO.  
MHX700PU

SHT 3 OF  
4 SHTS

ITEM NO.	PART NUMBER	DESCRIPTION	QTY.	SPARE PART AVAILABILITY	SERVICE KIT CONTENTS
1	HTC070MB003	BODY (MHX100-700)	1	X	
2	SEC010RF001	O-RING - I.D. 6.35mm, C.S. 1.78mm, NITRILE 90	1		✓
3	HTC070PH002	HIGH PRESSURE PISTON	1		
4	STC040TA002	SPIRAL RING, I.D. 40mm	1		✓
5	HTC070PR003	SEAL RETAINER	1		
6	SEC012RA006	HIGH PRESSURE SEAL	1		✓
7	HTC070PL002	LOW PRESSURE PISTON	1		
8	BSC047PC001	BEARING	2		✓
9	SEC047PA001	LOW PRESSURE SEAL	1		✓
10	STC050BA001	CIRCLIP, INTERNAL 50mm x 2mm DIN472	1		✓
11	STC006KD002	CONNECTING LINK	1		
12	HTC100MK002	CRANKSHAFT LEVER	1		
13	HTC100MC001	CRANKSHAFT	1		
14	LAC100WC001	NAMEPLATE	1	X	
15	SEC019RE002	O-RING - I.D. 18.77mm, C.S. 1.78mm, NITRILE 90	1		✓
16	SEC013RA001	O-RING - I.D. 9.25mm, C.S. 1.78mm, NITRILE 90	2		✓
17	HLA029BL001	HANDLE ASSEMBLY	1		
18	WAC006PC001	PENNY WASHER	1		
19	BLC008KH010	M8 X 10mm, HEX SOCKET BUTTON HEAD SCREW	1		
20	BLC004-H008	M4 X 8mm, HEX SOCKET BUTTON HEAD SCREW	4		
21	PCC005FC001	PIN DOWEL Ø5 X 18mm	1		
22	SPC015PB001	CONICAL SPRING	1		
23	BAC012TN001	Ø12mm BALL -STAINLESS STEEL GRADE 420	1		✓

ITEM NO.	PART NUMBER	DESCRIPTION	QTY.	SPARE PART AVAILABILITY	SERVICE KIT CONTENTS
24	BAC008TN001	Ø8mm BALL -STAINLESS STEEL GRADE 420	1		✓
25	<b>HTA100CB001</b>	CHANGE OVER VALVE	1		
26	WAC030KD000	M30 SELF CENTERING DOWTY WASHER	1		✓
27	HTC100FF001	FILTER	1		
28	HTC100FG001	FILTER RETAIN SCREW	1		
29	WAC018KD000	M18 DOWTY WASHER	1		✓
30	HTC100RS003	RELEASE VALVE	1		
31	HTC100RM004	RELEASE VALVE SPINDLE	1		
32	HTC100RB003	RELEASE VALVE BODY	1		
33	WAC020KD001	M20 DOWTY WASHER	1		✓
34	HLC008LS001	LEVER	1		
35	FAS004MD006	M4 X 6 HEX SOCKET DOG POINT SCREW	1		
36	HTC100VS009	VALVE SEAT	1		
37	SPC007CA003	COMPRESSION SPRING	1		
38	HTC100MV011	SPRING RETAINER	1		
39	WAC016KD002	M16 DOWTY WASHER	1		✓
40	SEC012YA001	SEAL	1		✓

REVISION	
1	5726
2	5751
3	5791
4	5808
5	5960
6	
7	
8	
9	
10	
11	
12	
13	
14	
15	
16	
17	
18	
19	
20	

**NOTE:**

- ALL PARTS ARE AVAILBLE TO BE ORDERED AS INDIVIDUAL SPARE PARTS, UNLESS MARKED WITH **x**

- ALL PARTS MARKED WITH ✓ ARE ALSO AVAILABLE SERVICEABLE PARTS FOUND IN: SERVICE KIT **MHX700PUSK01** (REFER TO MHX700PUSK01 EVD FOR FURTHER DETAILS)

- FOR FURTHER DETAILS ON **HTA100CB001**, PLEASE REFER TO HTA100CB001 EVD.

**IMPORTANT**

WHEN ORDERING SPARES YOU MUST STATE THE FULL PART NUMBER AND THE PRODUCT SERIAL NUMBER - FROM THE LABEL TO PROTECT YOUR WARRANTY ALWAYS USE GENUINE HI-FORCE PARTS.

MANUALLY OPERATED HYDROTEST  
PUMP, MAX PRESSURE 700 Bar

SERIAL NUMBERS  
FROM BS0789

PRODUCT NO.  
MHX700PU

SHT 4 OF  
4 SHTS

ITEM NO.	PART NUMBER	DESCRIPTION	QTY.	SPARE PART AVAILABILITY	SERVICE KIT CONTENTS
41	WAC010HD000	3/8" BSP DOWTY WASHER	1		✓
42	VRC001GS002	VALVE STEM	1		
43	SPC012CB001	SPRING	1		
44	VRC001JS002	ADJUSTER SCREW	1		
45	VRC001HS003	VALVE BODY	1		
46	HTC100MV008	OUTLET SEAL	1		
47	SPC013CB001	COMPRESSION SPRING	1		
48	HTC100MV004	OUTLET SEAL GUIDE	1		
49	HTC100BG001	GAUGE PORT BOLT	1		
50	FPC008PM001	M8 ZERO LEAK PLUG	3		
51	15488	GASKET	1		✓
52	LAC100WC002	RELEASE LABEL	1		
53	LAC100WC003	PRESSURE SELECTION LABEL	2		
54	FAS002HZ001	NO.4 x 3/16 HAMMER DRIVE SCREW	6		
55	TAC000PA003	SUCTION PIPE	1		
56	BLC008KC090	M8 X 90mm, HEX SOCKET CAP HEAD SCREW	4		
57	<b>VRC001VS001</b>	VALVE SEAT	1	X	
58	<b>HTC100RS004</b>	VALVE SEAT	1	X	
59	SEC004RF001	O-RING - I.D. 2.0mm, C.S. 1.0mm, NITRILE 90	1	X	
60	SEC005RF002	O-RING - I.D. 3.5mm, C.S. 1.0mm, NITRILE 90	1	X	
61	LAC000WP001	HIGH/LOW CHANGE OVER LABEL	1		
62	SPC012CB002	COMPRESSION SPRING	1		

**NOTE:**

- ALL PARTS ARE AVAILABLE TO BE ORDERED AS INDIVIDUAL SPARE PARTS, UNLESS MARKED WITH **x**

- ALL PARTS MARKED WITH ✓ ARE ALSO AVAILABLE SERVICEABLE PARTS FOUND IN: SERVICE KIT **MHX700PUSK01** (REFER TO MHX700PUSK01 EVD FOR FURTHER DETAILS)

REVISION

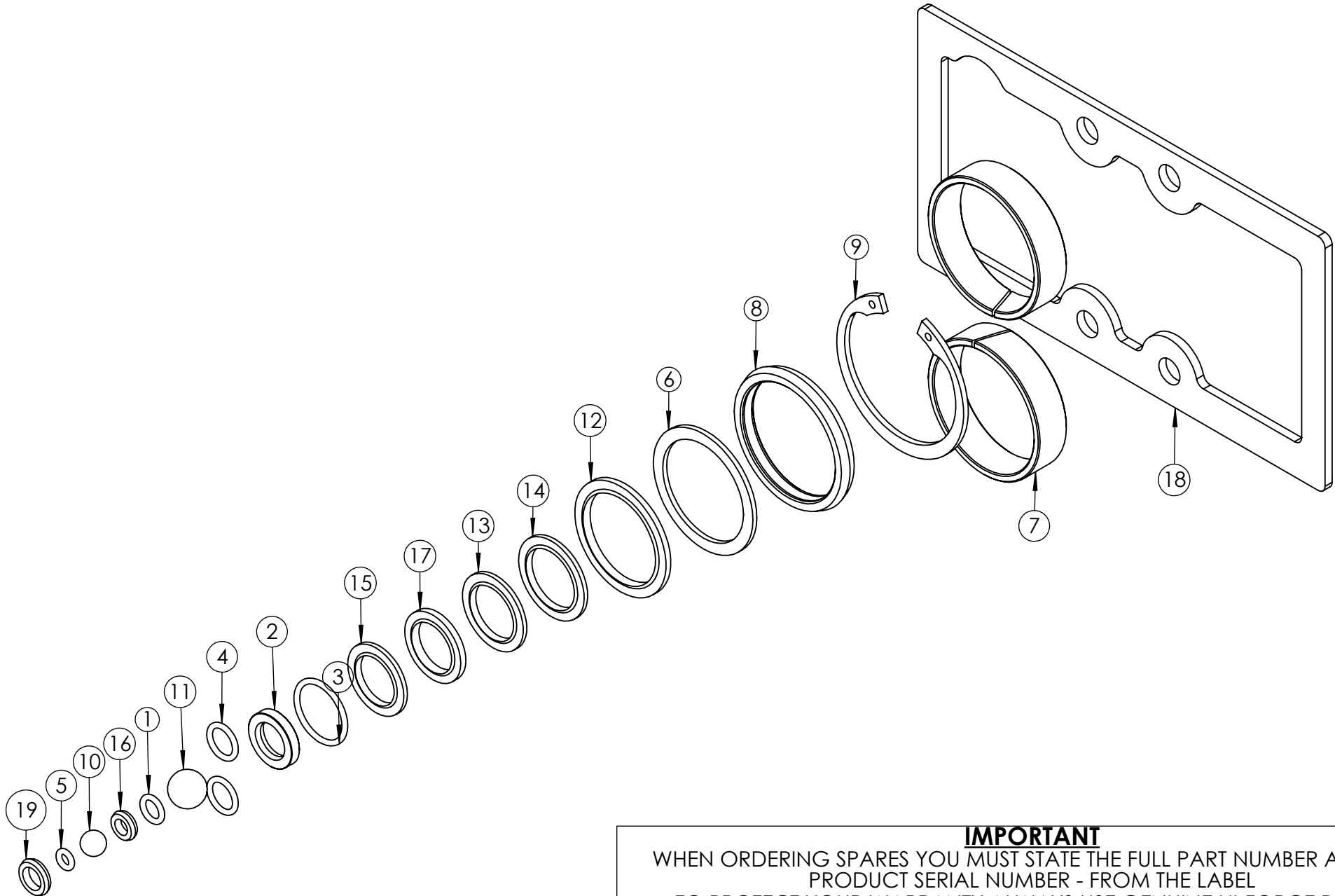
1	5726
2	5751
3	5791
4	5808
<b>5</b>	5960
6	
7	
8	
9	
10	
11	
12	
13	
14	
15	
16	
17	
18	
19	
20	

**IMPORTANT**

WHEN ORDERING SPARES YOU MUST STATE THE FULL PART NUMBER AND THE PRODUCT SERIAL NUMBER - FROM THE LABEL TO PROTECT YOUR WARRANTY ALWAYS USE GENUINE HI-FORCE PARTS.

REVISION

1	5726
2	5808
<b>3</b>	<b>5977</b>
4	
5	
6	
7	
8	
9	
10	
11	
12	
13	
14	
15	
16	
17	
18	
19	
20	



**IMPORTANT**  
 WHEN ORDERING SPARES YOU MUST STATE THE FULL PART NUMBER AND THE  
 PRODUCT SERIAL NUMBER - FROM THE LABEL  
 TO PROTECT YOUR WARRANTY ALWAYS USE GENUINE HI-FORCE PARTS.

MHX700PUSK01 SERVICE KIT

SERIAL NUMBERS  
FROM BQ6940

PRODUCT NO.  
MHX700PUSK01

SHT 2 OF  
2 SHTS

REVISION

1 5726

2 5808

**3** 5977

4

5

6

7

8

9

10

11

12

13

14

15

16

17

18

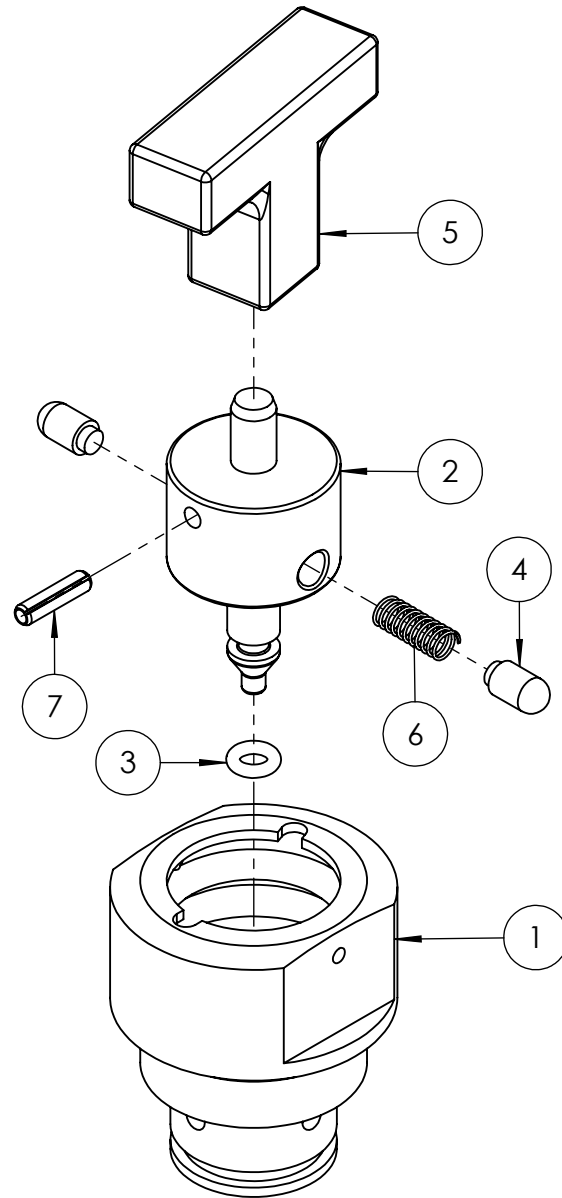
19

20

ITEM NO.	PART NUMBER	DESCRIPTION	QTY.
1	SEC010RF001	O-RING - I.D. 6.35mm, C.S. 1.78mm, NITRILE 90	1
2	SEC012RA006	HIGH PRESSURE SEAL	1
3	SEC019RE002	O-RING - I.D. 18.77mm, C.S. 1.78mm, NITRILE 90	1
4	SEC013RA001	O-RING - I.D. 9.25mm, C.S. 1.78mm, NITRILE 90	2
5	SEC007RA001	O-RING - I.D. 3.69mm, C.S. 1.78mm	1
6	STC040TA002	SPIRAL RING, I.D. 40mm	1
7	BSC047PC001	BEARING	2
8	SEC047PA001	LOW PRESSURE SEAL	1
9	STC050BA001	CIRCLIP, INTERNAL 50mm x 2mm DIN472	1
10	BAC008TN001	Ø8mm BALL -STAINLESS STEEL GRADE 420	1
11	BAC012TN001	Ø12mm BALL -STAINLESS STEEL GRADE 420	1
12	WAC030KD000	M30 DOWTY WASHER	1
13	WAC018KD000	M18 DOWTY WASHER	1
14	WAC020KD001	M20 DOWTY WASHER	1
15	WAC016KD002	M16 DOWTY WASHER	1
16	SEC010YA001	SEAL	1
17	WAC010HD000	3/8" BSP DOWTY WASHER	1
18	15488	GASKET	1
19	SEC012YA001	SEAL	1

**IMPORTANT**

WHEN ORDERING SPARES YOU MUST STATE THE FULL PART NUMBER AND THE PRODUCT SERIAL NUMBER - FROM THE LABEL TO PROTECT YOUR WARRANTY ALWAYS USE GENUINE HI-FORCE PARTS.



ITEM NO.	PART NUMBER	DESCRIPTION	QTY.	SPARE PART AVAILABILITY	SERVICE KIT CONTENTS
1	HTC100CB002	CHANGE OVER VALVE BODY	1	✘	
2	HTC100CM001	CHANGE OVER PLUNGER	1	✘	
3	SEC007RA001	O-RING - I.D. 3.69mm, C.S. 1.78mm	1	✘	✓
4	PCC005FB001	DOWEL PIN	2		
5	HLC006KT001	HANDLE	1		
6	SPC005CA006	SPRING	1		
7	PCC003SC001	Ø3 x 12 mm SELLOCK PIN	1		

1	5726
2	5932
3	
4	
5	
6	
7	
8	
9	
10	
11	
12	
13	
14	
15	
16	
17	
18	
19	
20	

**NOTE:**

- ALL PARTS AVAILABLE TO ORDER AS AN INDIVIDUAL SPARE PART UNLESS MARKED ✘

PARTS MARKED ✓ ARE ONLY AVAILABLE IN THE FOLLOWING SERVICE KITS:

- MHX100PUSK01
- MHX300PUSK01
- MHX500PUSK01
- MHX700PUSK01
- MHX1000PUSK01

**IMPORTANT**

WHEN ORDERING SPARES YOU MUST STATE THE FULL PART NUMBER AND THE PRODUCT SERIAL NUMBER - FROM THE LABEL TO PROTECT YOUR WARRANTY ALWAYS USE GENUINE HI-FORCE PARTS.

REVISION

1 5726

2

3

4

5

6

7

8

9

10

11

12

13

14

15

16

17

18

19

20

