

**MS | METRIC HEXAGON AF SIZE HEAVY DUTY SOCKETS**

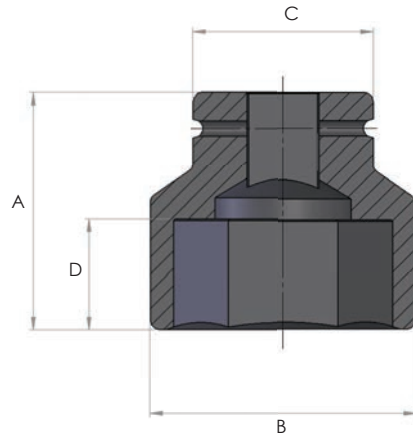


- ▶ High quality, metric size heavy duty impact sockets
- ▶ Suitable for use with Hi-Force TWS-N hydraulic torque wrenches and IP impact wrenches
- ▶ Long length, bi-hexagonal and special sockets available on request

Square drives from 3/4" to 2 1/2"

Across flat sizes up to 145 mm

Supplied complete with retaining ring and pin



Model number	Square drive	Nut AF (mm)	Dimensions (mm)			
			A	B	C	D
MS2-24	3/4"	24	50	39	44	16
MS2-27	3/4"	27	54	43	44	16
MS2-30	3/4"	30	54	47	44	23
MS2-32	3/4"	32	56	49	44	23
MS2-36	3/4"	36	56	54	44	23
MS2-41	3/4"	41	58	60	44	24
MS2-46	3/4"	46	63	67	44	30
MS2-50	3/4"	50	72	71	54	32
MS2-55	3/4"	55	74	78	54	35
MS2-60	3/4"	60	75	84	54	37
MS9-24	1"	24	58	42	54	17
MS9-27	1"	27	58	46	54	17
MS9-30	1"	30	60	50	54	21
MS9-32	1"	32	60	51	54	21
MS9-36	1"	36	65	56	54	30
MS9-41	1"	41	67	63	54	31
MS9-46	1"	46	74	69	54	36
MS9-50	1"	50	80	74	54	42
MS9-55	1"	55	84	80	54	44
MS9-60	1"	60	87	86	54	44
MS9-65	1"	65	90	92	54	46
MS9-70	1"	70	96	99	54	51
MS9-75	1"	75	98	106	86	45
MS9-80	1"	80	100	112	86	48
MS9-85	1"	85	105	118	86	52
MS9-90	1"	90	105	125	86	52
MS9-95	1"	95	115	131	86	52
MS9-100	1"	100	115	137	95	58

Model number	Square drive	Nut AF (in)	Dimensions (mm)			
			A	B	C	D
MSS-36	1 1/2"	36	78	64	86	23
MSS-41	1 1/2"	41	80	70	86	26
MSS-46	1 1/2"	46	84	76	86	27
MSS-50	1 1/2"	50	87	81	86	29
MSS-55	1 1/2"	55	90	86	86	36
MSS-60	1 1/2"	60	92	93	86	38
MSS-65	1 1/2"	65	95	97	86	40
MSS-70	1 1/2"	70	100	105	86	43
MSS-75	1 1/2"	75	103	110	86	45
MSS-80	1 1/2"	80	110	116	86	50
MSS-85	1 1/2"	85	118	125	86	55
MSS-90	1 1/2"	90	118	130	86	55
MSS-95	1 1/2"	95	118	137	95	55
MSS-100	1 1/2"	100	125	140	95	58
MSS-105	1 1/2"	105	125	150	95	58
MSS-110	1 1/2"	110	125	156	95	58
MSS-115	1 1/2"	115	135	160	95	65
MSS-130	1 1/2"	130	140	185	127	70
MS6-80	2 1/2"	80	140	124	127	51
MS6-85	2 1/2"	85	140	130	127	51
MS6-90	2 1/2"	90	145	136	127	54
MS6-95	2 1/2"	95	145	143	127	54
MS6-100	2 1/2"	100	150	149	127	57
MS6-105	2 1/2"	105	155	155	127	61
MS6-110	2 1/2"	110	160	161	127	64
MS6-115	2 1/2"	115	165	167	127	67
MS6-130	2 1/2"	130	175	188	127	75
MS6-145	2 1/2"	145	185	208	127	83