

NS | SINGLE ACTING NUT SPLITTERS

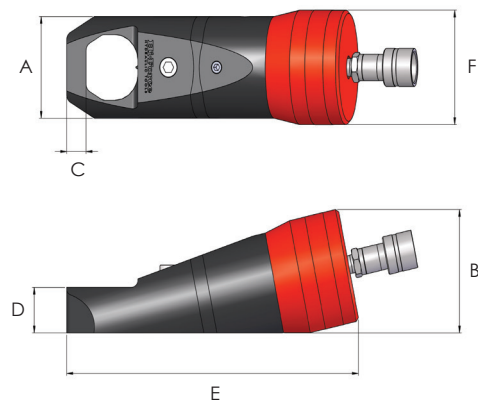


Nut AF sizes from 17 to 75 mm

Bolt sizes from M10 to M48

Working pressure 700 bar

- ▶ Single acting, spring assisted return
- ▶ Angled body design for increased clearance on flanges and flat surfaces
- ▶ High quality steel construction
- ▶ Suitable for splitting nuts up to RC44 hardness
- ▶ Designed to fit on most API and ANSI flanges
- ▶ Offers ideal 'cold cut' solution for applications where 'hot work' permits are not allowed
- ▶ Steel linkage keeps blade cutting edge parallel to the nut throughout the splitting process
- ▶ Compact and easy to use
- ▶ Optional 360° positional swivel coupling for fitment in confined spaces, available for use with NS104 and NS110 models only



| Model number | Capacity (tonnes) | Oil capacity (cm ³) | Hexagon AF sizes | | Stud bolt thread sizes | | Weight (kg) | Dimensions (mm) | | | | | |
|--------------|-------------------|---------------------------------|------------------|-------------------|------------------------|-----------------|-------------|-----------------|-----|------|----|-----|-----|
| | | | mm | inch | metric | imperial | | A | B | C | D | E | F |
| NS104 | 16.3 | 46 | 17 - 32 | 1 1/16" - 1 1/4" | M10 - M22 | 1/2" - 3/4" | 4.0 | 64 | 77 | 12.5 | 30 | 210 | 67 |
| NS110 | 24.9 | 62 | 32 - 41 | 1 1/4" - 1 5/8" | M22 - M27 | 3/4" - 1" | 7.4 | 78 | 96 | 20 | 37 | 268 | 88 |
| NS200 | 41.2 | 122 | 41 - 50 | 1 5/8" - 2" | M27 - M33 | 1" - 1 1/4" | 10.6 | 96 | 116 | 21 | 43 | 315 | 108 |
| NS206 | 57.8 | 195 | 50 - 60 | 2" - 2 3/8" | M33 - M39 | 1 1/4" - 1 1/2" | 15.8 | 115 | 138 | 24 | 52 | 336 | 126 |
| NS215 | 90.4 | 406 | 60 - 75 | 2 3/8" - 2 15/16" | M39 - M48 | 1 1/2" - 1 7/8" | 39.3 | 156 | 175 | 27 | 75 | 426 | 162 |

Note: NS nut splitters are for use on heavy duty nuts, where the nut height is equal to or greater than two-thirds of the blade length of the tool being used. Please check dimension 'C' to confirm the tool will fit in the space between the edge of the nut and the neck of the flange.

Replacement blades for NS nut splitters

| Blade part number | For nut splitter |
|-------------------|------------------|
| NS104-B | NS104 |
| NS110-B | NS110 |
| NS200-B | NS200 |
| NS206-B | NS206 |
| NS215-B | NS215 |