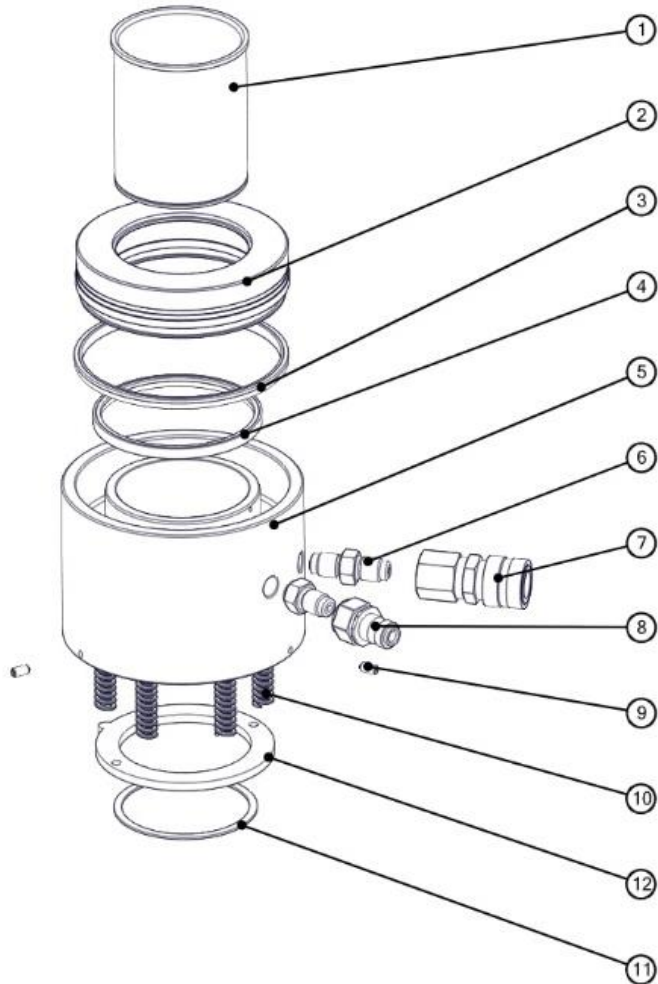


REVISION NO

|    |      |
|----|------|
| ①  | 4340 |
| 2  |      |
| 3  |      |
| 4  |      |
| 5  |      |
| 6  |      |
| 7  |      |
| 8  |      |
| 9  |      |
| 10 |      |
| 11 |      |
| 12 |      |
| 13 |      |
| 14 |      |
| 15 |      |
| 16 |      |
| 17 |      |
| 18 |      |
| 19 |      |
| 20 |      |



ITEMS MARKED X ARE AVAILABLE IN SERVICE KIT  
SBT3LCTP1-K ONLY. SERVICE TOOL REQUIRED IS  
ATC-084-SB-001.

| ITEM NO. | PART NUMBER | DESCRIPTION  | QTY. |
|----------|-------------|--------------|------|
| 1        | BTC084ML001 | SLEEVE       | 1    |
| 2        | BTC084PL001 | PISTON       | 1    |
| 3        | X           | OUTER SEAL   | 1    |
| 4        | X           | INNER SEAL   | 1    |
| 5        | BTC084CL001 | CYLINDER     | 1    |
| 6        | STN1P4-C    | ADAPTOR      | 2    |
| 7        | STFC4       | COUPLER      | 1    |
| 8        | STMC4       | NIPPLE       | 1    |
| 9        | FAS005ME010 | CUP PT SCREW | 3    |
| 10       | SPC012CA006 | SPRING       | 6    |
| 11       | STC075TA001 | RING         | 1    |
| 12       | BTC084RL001 | SPRING PLATE | 1    |

**IMPORTANT**

WHEN ORDERING SPARES YOU MUST STATE THE FULL PART NUMBER AND  
THE PRODUCT SERIAL NUMBER – FROM THE LABEL.  
TO PROTECT YOUR WARRANTY ALWAYS USE GENUINE HI-FORCE PARTS.