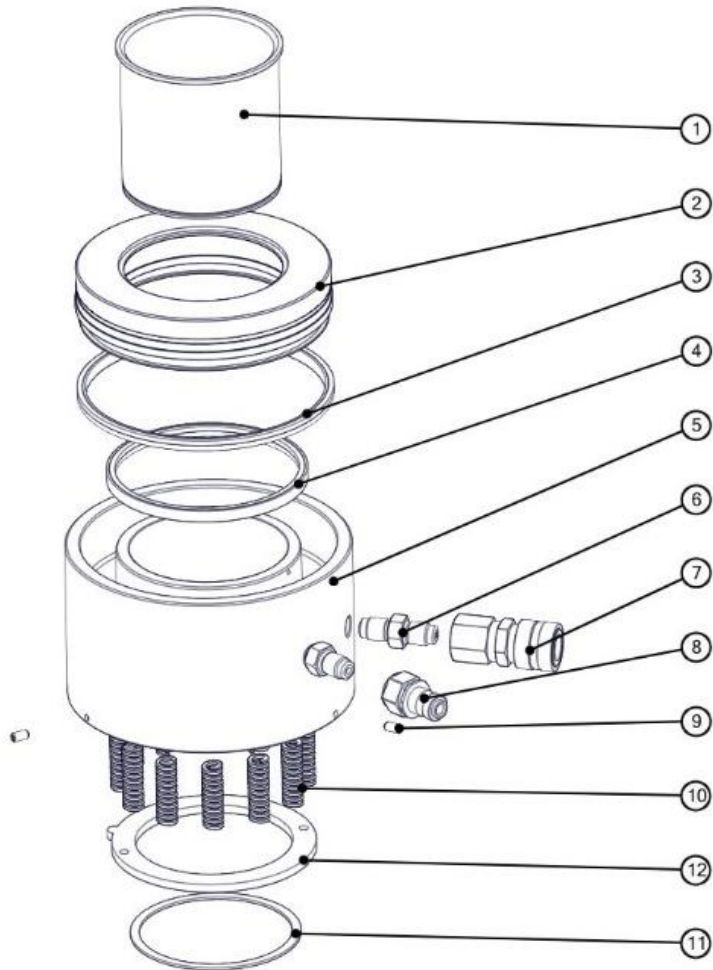


REVISION NO

①	4340
2	
3	
4	
5	
6	
7	
8	
9	
10	
11	
12	
13	
14	
15	
16	
17	
18	
19	
20	



ITEMS MARKED X ARE AVAILABLE IN SERVICE KIT
SBT4LCTP1-K ONLY. SERVICE TOOL REQUIRED IS
ATC-130-SB-001.

ITEM NO.	PART NUMBER	DESCRIPTION	QTY.
1	BTC130MN001	SLEEVE	1
2	BTC130PN001	PISTON	1
3	X	OUTER SEAL	1
4	X	INNER SEAL	1
5	BTC130CN001	CYLINDER	1
6	STN1P4-C	ADAPTOR	2
7	STFC4	COUPLER	1
8	STMC4	NIPPLE	1
9	FAS005ME010	CUP PT SCREW	3
10	SPC012CA007	SPRING	12
11	STC092TA001	RING	1
12	BTC130RN001	SPRING PLATE	1

IMPORTANT

WHEN ORDERING SPARES YOU MUST STATE THE FULL PART NUMBER AND
THE PRODUCT SERIAL NUMBER – FROM THE LABEL.
TO PROTECT YOUR WARRANTY ALWAYS USE GENUINE HI-FORCE PARTS.