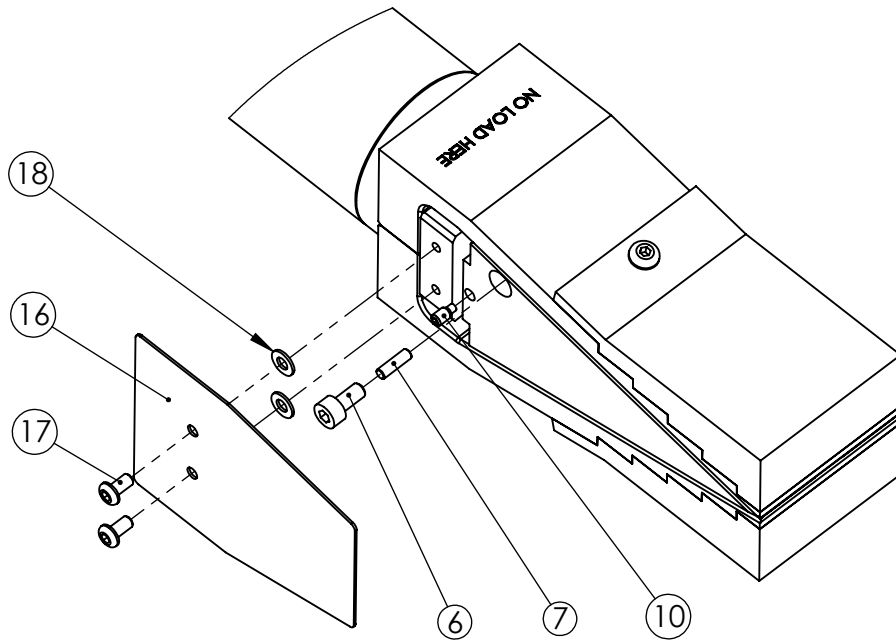
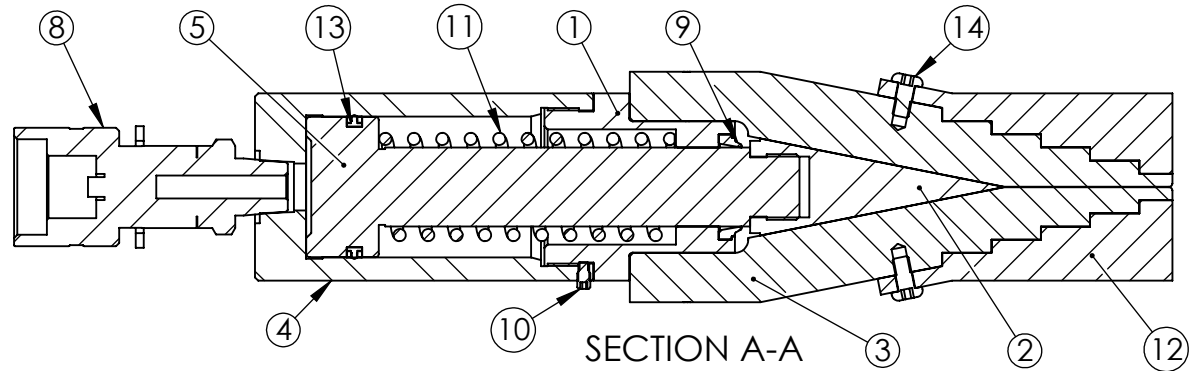
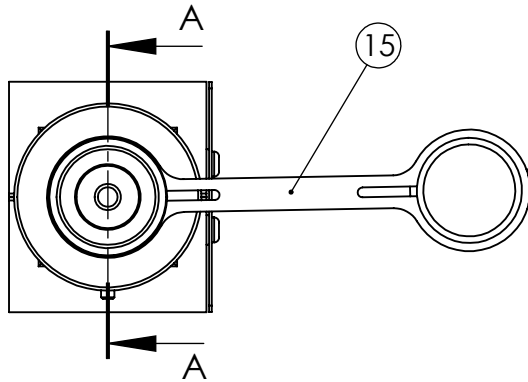


ITEMS MARKED X ARE ONLY  
AVAILABLE IN SERVICE KIT  
SJS10TP1-K

ITEM NO.	PART NUMBER	DESCRIPTION	QTY.
1	SRC024WD001	STOP RING	1
2	FSC010WS001	WEDGE	1
3	FSC010JS001	JAW	2
4	CBC043SC006	CYLINDER	1
5	PRC043BC001	PISTON	1
6	X	SOCKET CAP HD SCREW	2
7	PCC004FC001	PIN	2
8	CF1	COUPLER	1
9	X	WIPER	1
10	X	DOG POINT SCREW	2
11	SPC033CC001	SPRING	1
12	FSC010JS003	STEPPED BLOCK	2
13	X	PISTON SEAL	1
14	X	SOCKET CAP HD SCREW	2
15	PPC1	DUST COVER	1
16	SFC070HB002	COVER PLATE	2
17	X	BUTTON HEAD SCREW	4
18	X	TRAP SCREW WASHER	4

REVISION	
1	
2	3933
3	4171
4	5277
5	
6	
7	
8	
9	
10	
11	
12	
13	
14	
15	
16	
17	
18	
19	
20	

**IMPORTANT**  
WHEN ORDERING SPARES YOU MUST STATE THE FULL PART NUMBER AND THE  
PRODUCT SERIAL NUMBER - FROM THE LABEL  
TO PROTECT YOUR WARRANTY ALWAYS USE GENUINE HI-FORCE PARTS.



ITEMS MARKED X ARE ONLY  
AVAILABLE IN SERVICE KIT  
SJS10TP1-K

ITEM NO.	PART NUMBER	DESCRIPTION	QTY.
1	SRC024WD001	STOP RING	1
2	FSC010WS001	WEDGE	1
3	FSC010JS001	JAW	2
4	CBC043SC006	CYLINDER	1
5	PRC043BC001	PISTON	1
6	x	SOCKET CAP HD SCREW	2
7	x	PIN	2
8	CF1	COUPLER	1
9	x	WIPER	1
10	x	DOG POINT SCREW	2
11	SPC033CC001	SPRING	1
12	FSC010JS002	STEPPED BLOCK	2
13	x	PISTON SEAL	1
14	x	BUTTON HEAD SCREW	2
15	PPC1	DUST COVER	1
16	SFC070HB002	COVER PLATE	2
17	x	BUTTON HEAD SCREW	4
18	x	TRAP SCREW WASHER	4

REVISION

1 3933

2

3

4

5

6

7

8

9

10

11

12

13

14

15

16

17

18

19

20

**IMPORTANT**

WHEN ORDERING SPARES YOU MUST STATE THE FULL PART NUMBER AND THE  
PRODUCT SERIAL NUMBER - FROM THE LABEL  
TO PROTECT YOUR WARRANTY ALWAYS USE GENUINE HI-FORCE PARTS.