

ITEM NO.	PART NUMBER	DESCRIPTION	QTY.
1	SJS10	STEPPED JAW SPREADER	2
2	HP212	MANUALLY OPERATED PUMP	1
3	HF17	3/8" NPT MALE ADAPTOR	1
4	HM2C	CONTROLLED MANIFOLD	1
5	HGA1-25	GAUGE MOUNTING BLOCK	2
6	HG63G	GAUGE	2
7	HC3C	3 METRE HYDRAULIC HOSE	2

REVISION

1 4066

2

3

4

5

6

7

8

9

10

11

12

13

14

15

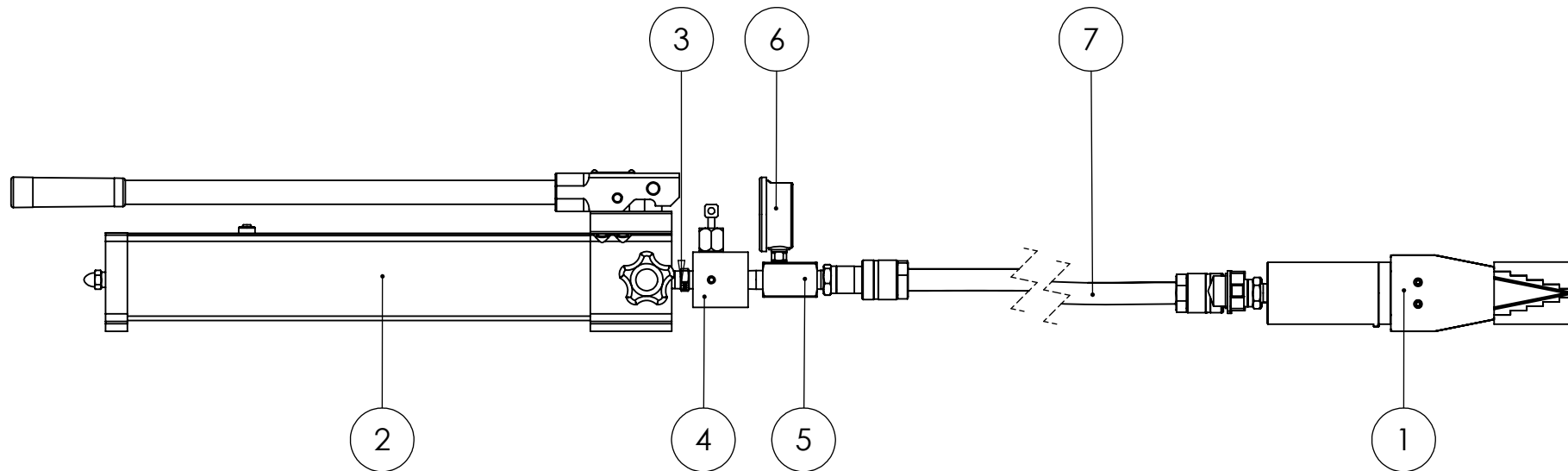
16

17

18

19

20



IMPORTANT

WHEN ORDERING SPARES YOU MUST STATE THE FULL PART NUMBER AND THE PRODUCT SERIAL NUMBER.
TO PROTECT YOUR WARRANTY ALWAYS USE GENUINE HI-FORCE PARTS.