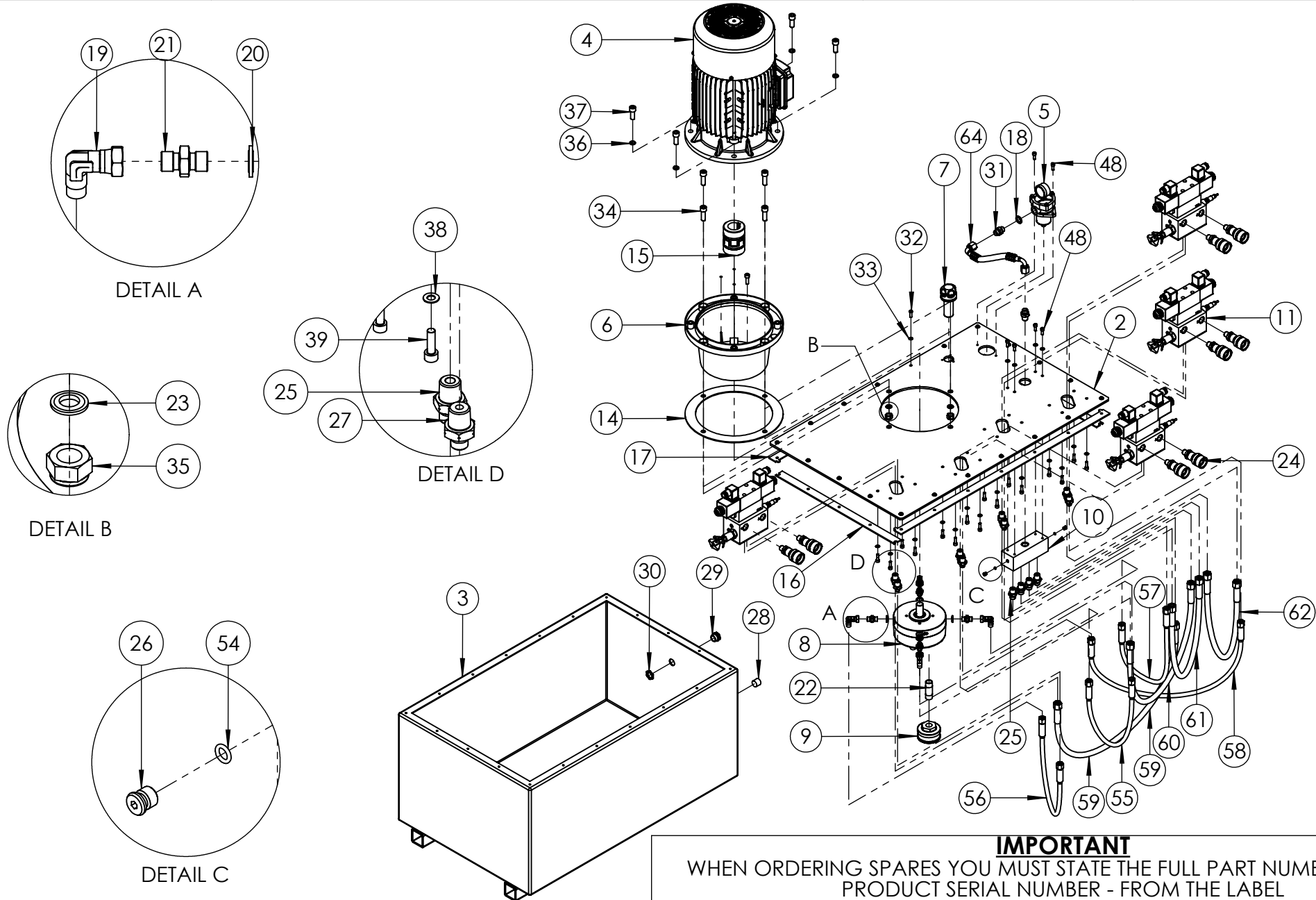


REVISION

1	5463
2	5524
3	
4	
5	
6	
7	
8	
9	
10	
11	
12	
13	
14	
15	
16	
17	
18	
19	
20	

IMPORTANT
WHEN ORDERING SPARES YOU MUST STATE THE FULL PART NUMBER AND THE
PRODUCT SERIAL NUMBER - FROM THE LABEL
TO PROTECT YOUR WARRANTY ALWAYS USE GENUINE HI-FORCE PARTS.



REVISION

1	5463
2	5524
3	
4	
5	
6	
7	
8	
9	
10	
11	
12	
13	
14	
15	
16	
17	
18	
19	
20	

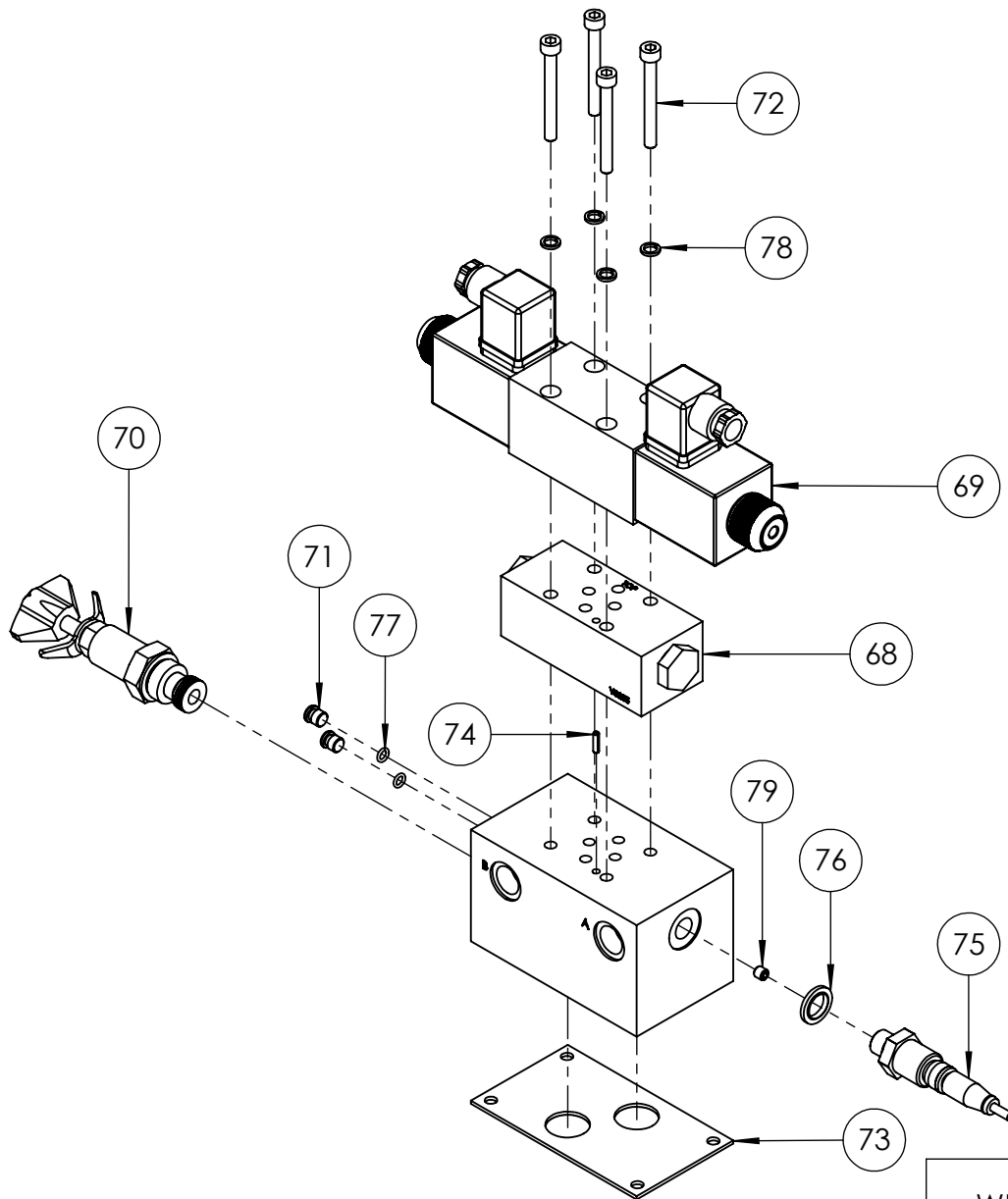
IMPORTANT
WHEN ORDERING SPARES YOU MUST STATE THE FULL PART NUMBER AND THE PRODUCT SERIAL NUMBER - FROM THE LABEL TO PROTECT YOUR WARRANTY ALWAYS USE GENUINE HI-FORCE PARTS.

ITEM NO.	PART NUMBER	DESCRIPTION	QTY.
1	SFA660BM001	SPLIT FLOW FRAME	1
2	TAC100BS008	TANK LID	1
3	TAC100AS006	TANK	1
4	EM415-7.5-4	7.5kW 4 POLE IE3 400/690V 3/50Hz	1
5	FFC050TS001	RETURN LINE FILTER	1
6	PMC000HP006	BELL HOUSING	1
7	FFC028PZ001	FILLER/BREATHER	1
8	PMA020MA006	PUMP UNIT	1
9	FFC045MZ001	FILTER	1
10	VFC010BN005	RETURN MANIFOLD	1
11	VFA010ME003	MANIFOLD ASSEMBLY	4
12	SFC050BE003	ENCLOSURE SUPPORT	1
13	SFC102HA002	CABLE TRAY	1
14	PMC000HP006G	GASKET	1
15	MCC000CD009	SHAFT COUPLING	1
16	SEC003KT005-2	GASKET	2
17	SEC003KT005-1	GASKET	2
18	WAC010HD000	DOWTY WASHER	1
19	FPC006FB001	1/4" BSP FEMALE - 1/4" BSP MALE ELBOW	4
20	WAC007HD000	DOWTY WASHER	4
21	FPC006QB003	ADAPTOR	4
22	FPC013AC001	BARREL NIPPLE	1
23	WAC012KD000	DOWTY WASHER	4
24	CF1	COUPLER	8
25	FPC010BF003	3/8" NPT MALE - 3/8" BSP MALE ADAPTOR	9
26	FPC008PM003	PLUG	2
27	FPC010BF004	3/8" NPT MALE - 1/4" BSP MALE ADAPTOR	4
28	FPC013PC001	PLUG	1
29	BLC021YT010	SIGHT GLASS	2
30	NUC021-B000	THIN NUT	2
31	FPC010AB001	3/8" BSP MALE/MALE ADAPTOR	1
32	BLC006JH020	BUTTON HEAD SCREW	20
33	WAC006EB000	M6 WASHER	24
34	BLC012MD035	SOCKET CAP HD SCREW	4

ITEM NO.	PART NUMBER	DESCRIPTION	QTY.
35	NUC012MC000	NUT	4
36	WAC012BB000	M12 SPRING WASHER	4
37	BLC012MD030	M12 X 30MM BOLT	4
38	WAC006JB000	M6 WASHER	16
39	BLC006JD020	SOCKET CAP HD SCREW	16
40	BLC008KD025	SOCKET CAP HD SCREW	14
41	WAC008AB000	M8 WASHER	14
42	WAC008BB000	M8 SPRING WASHER	8
43	NUC008KC000	M8 NUT	6
44	WAC010BB000	M8 SPRING WASHER	4
45	WAC010AB000	M10 WASHER	8
46	NUC010LC000	M10 NUT	4
47	BLC010LD030	SOCKET CAP HD SCREW	4
48	BLC006JD016	SOCKET CAP HD SCREW	6
49	HLC027AL001	HANDLE	1
50	ANC025LZ001	LATCH	1
51	WAC008JB000	M8 WASHER	2
52	BLC008KD012	SOCKET CAP HD SCREW	2
53	ANC025KZ001	KEY	1
54	SEC008RA002	O-RING	2
55	HOC010AB027	1/4" BSP - 1/4" BSP HYDRAULIC HOSE - 10000psi - 600 mm	1
56	HOC010AB026	1/4" BSP - 1/4" BSP HYDRAULIC HOSE - 10000 psi - 780 mm	1
57	HOC010AB025	1/4" BSP - 1/4" BSP HYDRAULIC HOSE - 10000 psi - 570 mm	1
58	HOC010AB024	1/4" BSP - 1/4" BSP HYDRAULIC HOSE - 10000 psi - 800 mm	1

ITEM NO.	PART NUMBER	DESCRIPTION	QTY.	REVISION
59	HOC010AB023	3/8" BSP - 3/8" BSP HYDRAULIC HOSE - 5000psi - 980 mm	1	1 5463
				2 5524
60	HOC010AB022	3/8" BSP - 3/8" BP HYDRAULIC - 5000 psi - 840 mm	1	3
				4
61	HOC010AB021	3/8" BSP - 3/8" BSP HYDRAULIC HOSE - 5000 psi - 720 mm	1	5
				6
62	HOC010AB020	3/8" BSP - 3/8" BSP HYDRAULIC HOSE - 5000psi - 650 mm	1	7
				8
				9
63	SFC050BE002	ENCLOSURE SUPPORT	1	10
64	HOC010AB028	3/8" BSP - 3/8" BSP HYDRAULIC HOSE	1	11
65	EMC400AZ002-01	4 WAY SYNCHRONOUS CABINET	1	12
				13
66	EMC400AZ002-02	PELI CASE ASSEMBLY UNIT	1	14
				15
#	TPN-125808	Cable Assembly, String Pot, M12 to M12, 40m Long	4	16
				17
#	TPN-125817	Cable Assembly, Hi-Force Synchro Lift, Control Cabinet to Display (10m)	1	18
				19
				20
#	TPN-124380	Pressure Transducer, 0-700 bar, 4-20mA Output, Gems 3100B0700S01E000	5	
#	TPN-125689	Connector, DIN Cap / Solenoid, 24V, Illuminated, Prewired, 5m Cable	8	
#	TPN-125690	Cable, 4 Pole, Female, M12, 5M	4	
#	TPN-125799	Sensor, String Potentiometer, 4-20mA/0-10V Selectable, IP68, 25inches/635mm travel	5	

IMPORTANT
WHEN ORDERING SPARES YOU MUST STATE THE FULL PART NUMBER AND THE PRODUCT SERIAL NUMBER - FROM THE LABEL
TO PROTECT YOUR WARRANTY ALWAYS USE GENUINE HI-FORCE PARTS.



ITEM NO.	PART NUMBER	DESCRIPTION	QTY.	REVISION	
67	VFC010BN004	MANIFOLD BLOCK	1	1	5463
68	V-8255	LOCK MODULE	1	2	5524
69	VFA000CE005	4 WAY D/A SOL. VALVE 24V	1	3	
70	VRC700ZE002	ADJUSTABLE RELIEF VALVE	1	4	
71	FPC008PM003	PLUG	2	5	
72	BLC006FC055	SOCKET CAP HD SCREW	4	6	
73	SEC002KT013	MANIFOLD GASKET	1	7	
74	PCC003RB006	SPRING PIN	1	8	
75	EMC024BA700	HIGH PRESSURE TRANSDUCER	1	9	
76	WAC007HD000	DOWTY WASHER	1	10	
77	SEC008RA002	O-RING	2	11	
78	WAC006BC001	M6 SPRING WASHER	4	12	
79	FAS006ME007	M6 ORIFICE RESTRICTOR	1	13	
				14	
				15	
				16	
				17	
				18	
				19	
				20	

IMPORTANT
WHEN ORDERING SPARES YOU MUST STATE THE FULL PART NUMBER AND THE PRODUCT SERIAL NUMBER - FROM THE LABEL TO PROTECT YOUR WARRANTY ALWAYS USE GENUINE HI-FORCE PARTS.