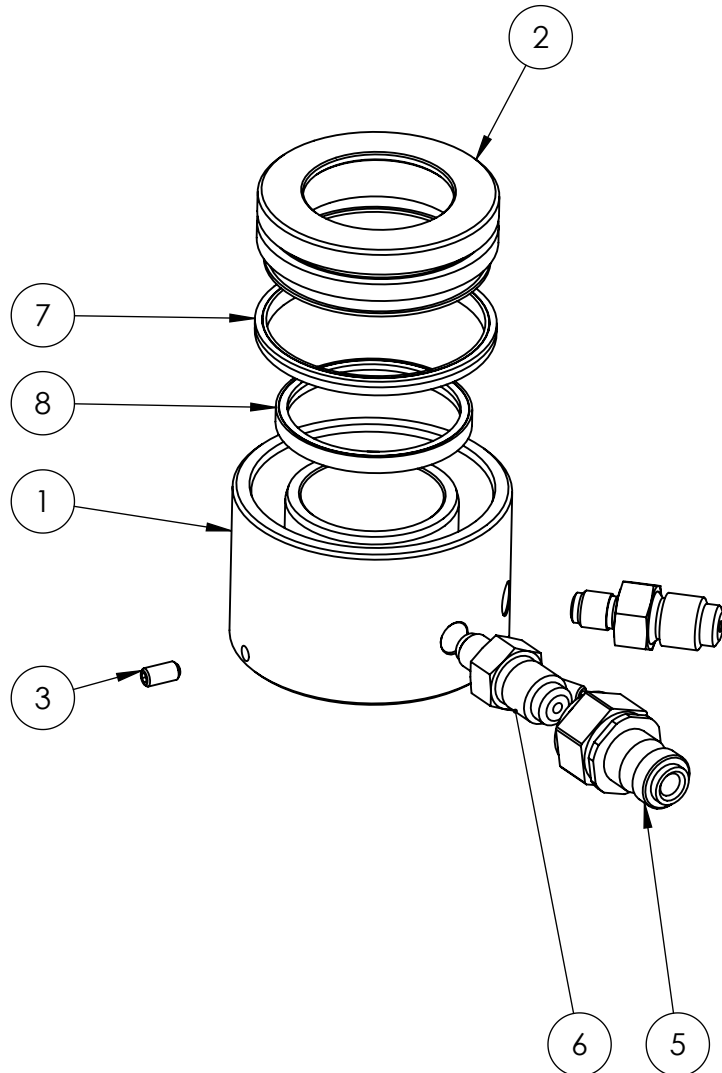


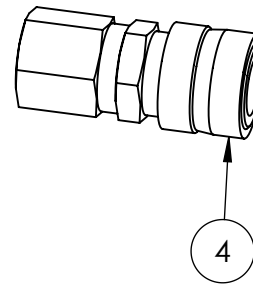
REVISION

1	
2	
3	3932
4	
5	
6	
7	
8	
9	
10	
11	
12	
13	
14	
15	
16	
17	
18	
19	
20	



ITEM NO.	PART NUMBER	DESCRIPTION	QTY.
1	BTC023CE004	CYLINDER	1
2	BTC023PE003	PISTON (STS)	1
3	FAS005ME010	CUP PT SCREW	3
4	STFC4	COUPLER	1
5	STMC4	NIPPLE	1
6	STN1P2	NIPPLE	2
7	X	OUTER SEAL	1
8	X	INNER SEAL	1

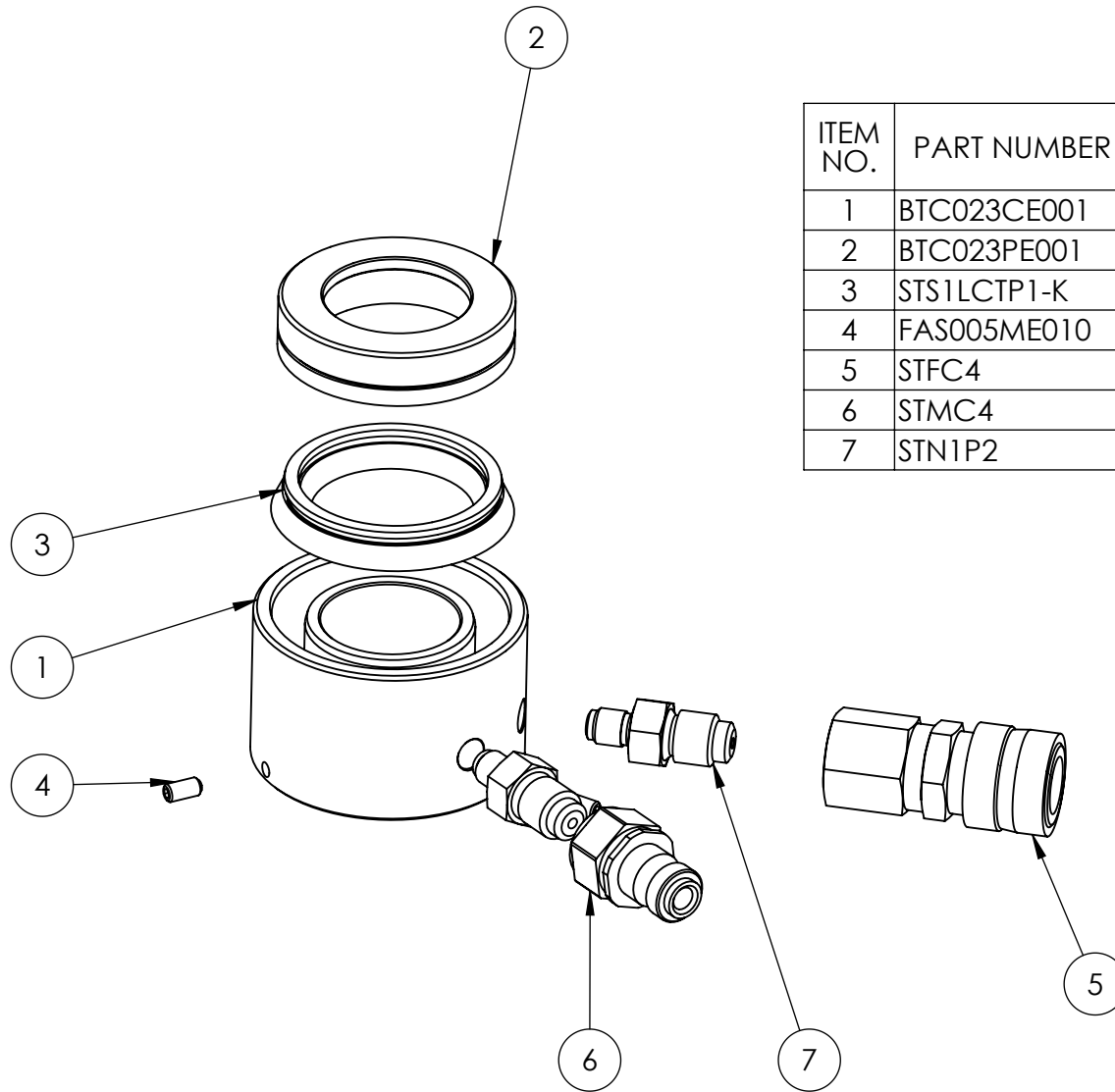
ITEMS MARKED X ARE AVAILABLE IN SERVICE KIT STS1LCTP2-K ONLY



IMPORTANT
WHEN ORDERING SPARES YOU MUST STATE THE FULL PART NUMBER AND THE PRODUCT SERIAL NUMBER - FROM THE LABEL TO PROTECT YOUR WARRANTY ALWAYS USE GENUINE HI-FORCE PARTS.

REVISION

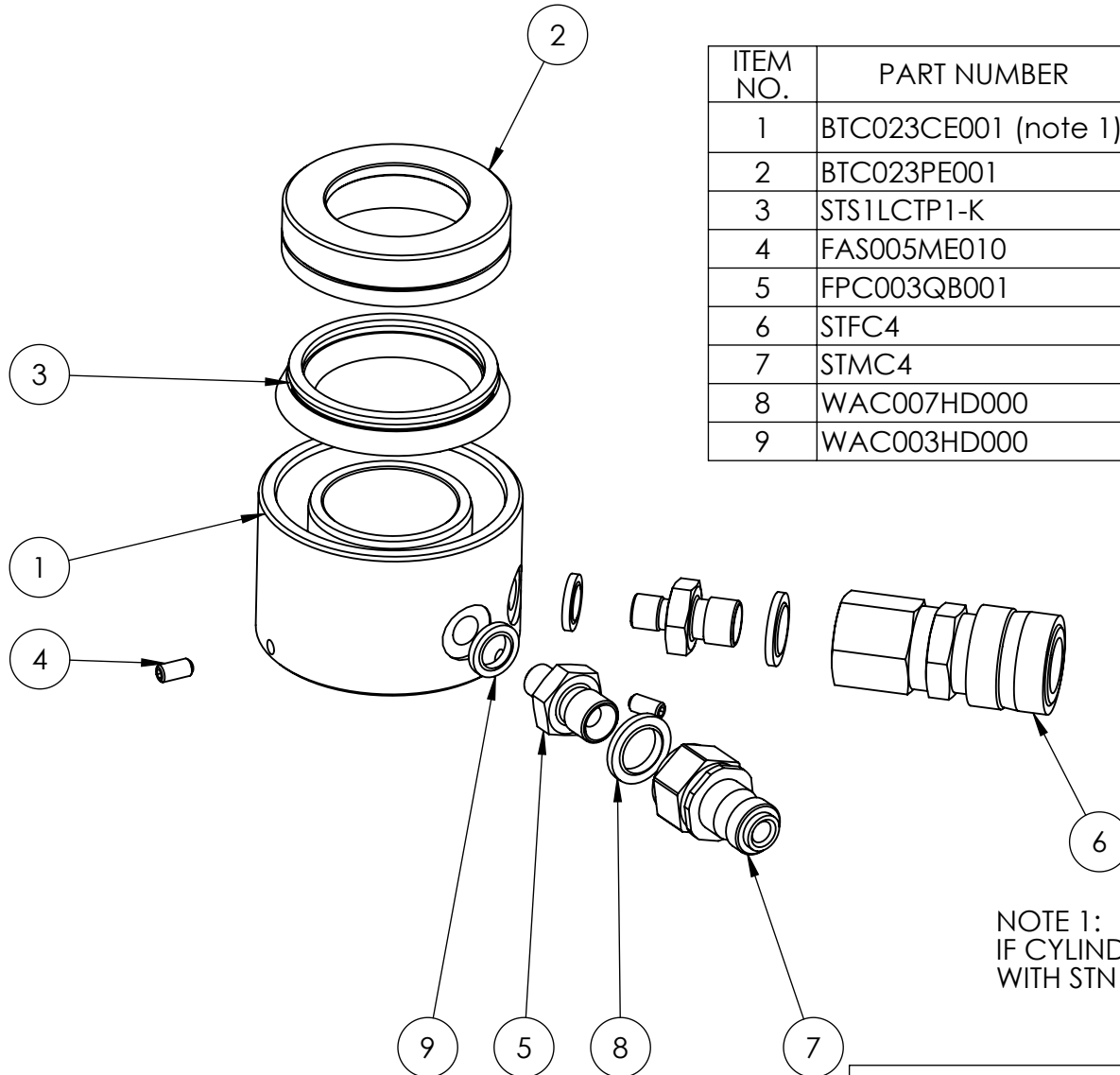
1	
2	3932
3	
4	
5	
6	
7	
8	
9	
10	
11	
12	
13	
14	
15	
16	
17	
18	
19	
20	



ITEM NO.	PART NUMBER	DESCRIPTION	QTY.
1	BTC023CE001	CYLINDER	1
2	BTC023PE001	PISTON (STS)	1
3	STS1LCTP1-K	PISTON SEAL	1
4	FAS005ME010	CUP PT SCREW	3
5	STFC4	COUPLER	1
6	STMC4	NIPPLE	1
7	STN1P2	NIPPLE	2

IMPORTANT
WHEN ORDERING SPARES YOU MUST STATE THE FULL PART NUMBER AND THE PRODUCT SERIAL NUMBER - FROM THE LABEL TO PROTECT YOUR WARRANTY ALWAYS USE GENUINE HI-FORCE PARTS.

ITEM NO.	PART NUMBER	DESCRIPTION	QTY.
1	BTC023CE001 (note 1)	CYLINDER	1
2	BTC023PE001	PISTON (STS)	1
3	STS1LCTP1-K	PISTON SEAL	1
4	FAS005ME010	CUP PT SCREW	3
5	FPC003QB001	ADAPTOR	2
6	STFC4	COUPLER	1
7	STMC4	NIPPLE	1
8	WAC007HD000	DOWTY WASHER	2
9	WAC003HD000	DOWTY WASHER	2



NOTE 1:
IF CYLINDER IS REPLACED, ITEM 5 MUST ALSO BE REPLACED
WITH STN1P2 AND THEN ITEMS 8 AND 9 ARE NO LONGER REQUIRED

IMPORTANT

WHEN ORDERING SPARES YOU MUST STATE THE FULL PART NUMBER AND THE
PRODUCT SERIAL NUMBER - FROM THE LABEL
TO PROTECT YOUR WARRANTY ALWAYS USE GENUINE HI-FORCE PARTS.