

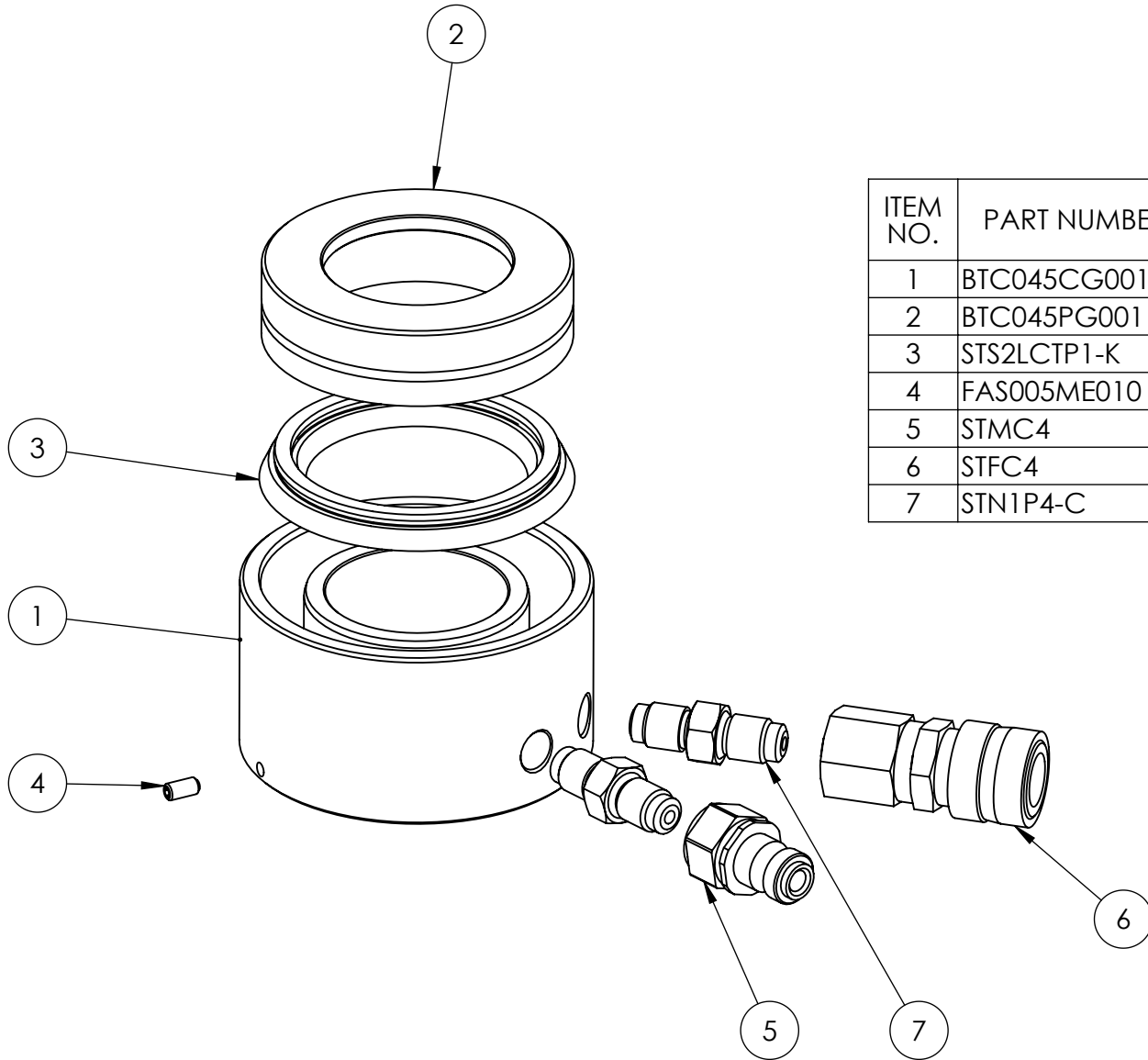
ITEM NO.	PART NUMBER	DESCRIPTION	QTY.
1	BTC045CG003	CYLINDER	1
2	BTC045PG004	PISTON (STS)	1
3	FAS005ME010	CUP PT SCREW	3
4	STMC4	NIPPLE	1
5	STFC4	COUPLER	1
6	STN1P4-C	ADAPTER	2
7	X	OUTER SEAL	1
8	X	INNER SEAL	1

ITEMS MARKED X ARE AVAILABLE IN SERVICE KIT STS2LCTP2-K ONLY

REVISION

1	
2	
3	3932
4	
5	
6	
7	
8	
9	
10	
11	
12	
13	
14	
15	
16	
17	
18	
19	
20	

IMPORTANT
WHEN ORDERING SPARES YOU MUST STATE THE FULL PART NUMBER AND THE PRODUCT SERIAL NUMBER - FROM THE LABEL TO PROTECT YOUR WARRANTY ALWAYS USE GENUINE HI-FORCE PARTS.



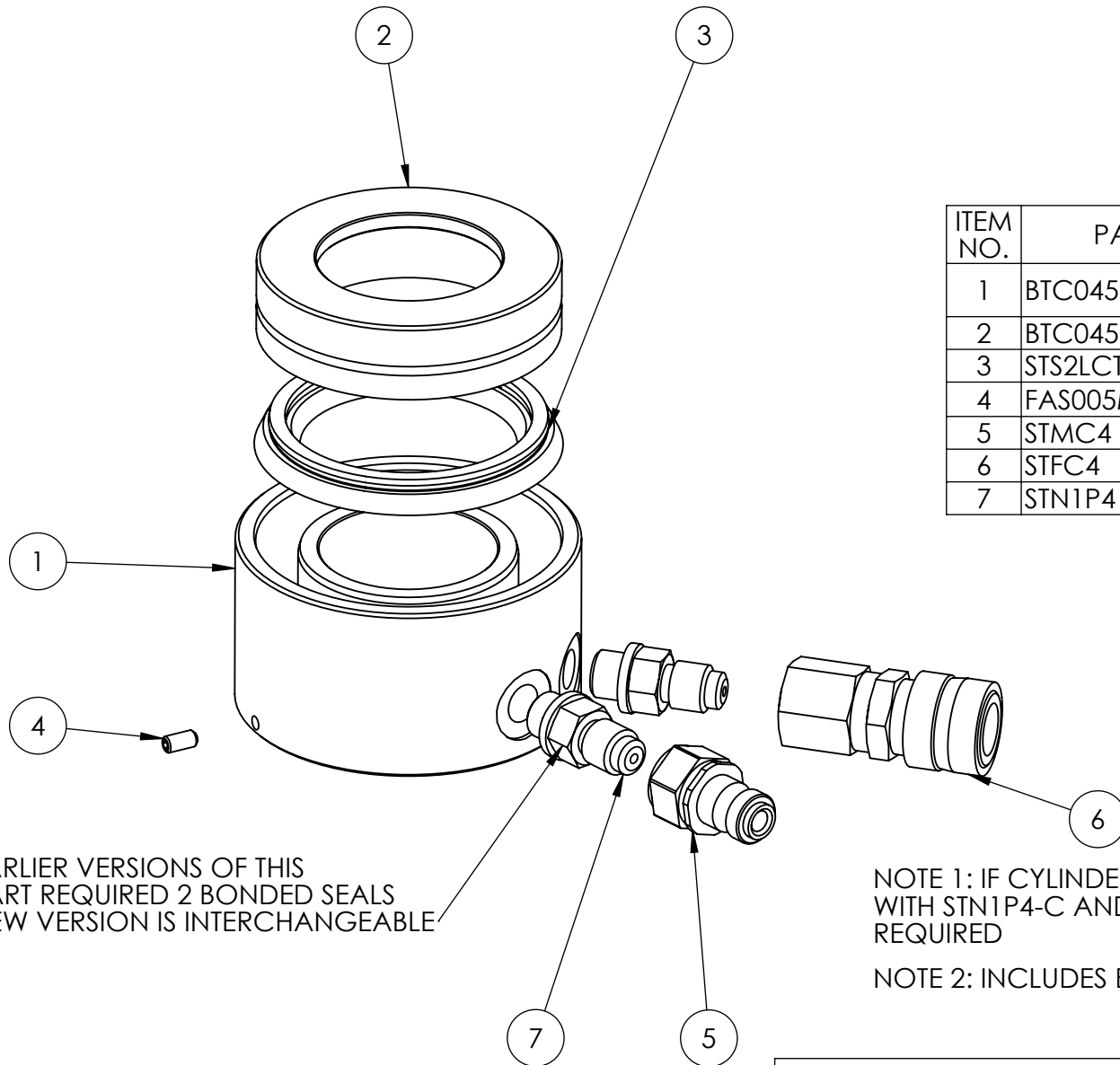
ITEM NO.	PART NUMBER	DESCRIPTION	QTY.
1	BTC045CG001	CYLINDER	1
2	BTC045PG001	PISTON (STS)	1
3	STS2LCTP1-K	SEAL	1
4	FAS005ME010	CUP PT SCREW	3
5	STMC4	NIPPLE	1
6	STFC4	COUPLER	1
7	STN1P4-C	ADAPTER	2

REVISION

1	
2	3932
3	
4	
5	
6	
7	
8	
9	
10	
11	
12	
13	
14	
15	
16	
17	
18	
19	
20	

IMPORTANT

WHEN ORDERING SPARES YOU MUST STATE THE FULL PART NUMBER AND THE PRODUCT SERIAL NUMBER - FROM THE LABEL TO PROTECT YOUR WARRANTY ALWAYS USE GENUINE HI-FORCE PARTS.



EARLIER VERSIONS OF THIS PART REQUIRED 2 BONDED SEALS
NEW VERSION IS INTERCHANGEABLE

NOTE 1: IF CYLINDER IS REPLACED, ITEM 7 MUST ALSO BE REPLACED WITH STN1P4-C AND THEN BONDED SEAL IS NO LONGER REQUIRED

NOTE 2: INCLUDES BONDED SEAL

ITEM NO.	PART NUMBER	DESCRIPTION	QTY.
1	BTC045CG001 (NOTE 1)	CYLINDER	1
2	BTC045PG001	PISTON (STS)	1
3	STS2LCTP1-K	SEAL	1
4	FAS005ME010	CUP PT SCREW	3
5	STMC4	NIPPLE	1
6	STFC4	COUPLER	1
7	STN1P4 (NOTE 2)	NIPPLE ASSY	2

REVISION

1 3932

2

3

4

5

6

7

8

9

10

11

12

13

14

15

16

17

18

19

20

IMPORTANT
WHEN ORDERING SPARES YOU MUST STATE THE FULL PART NUMBER AND THE PRODUCT SERIAL NUMBER - FROM THE LABEL TO PROTECT YOUR WARRANTY ALWAYS USE GENUINE HI-FORCE PARTS.