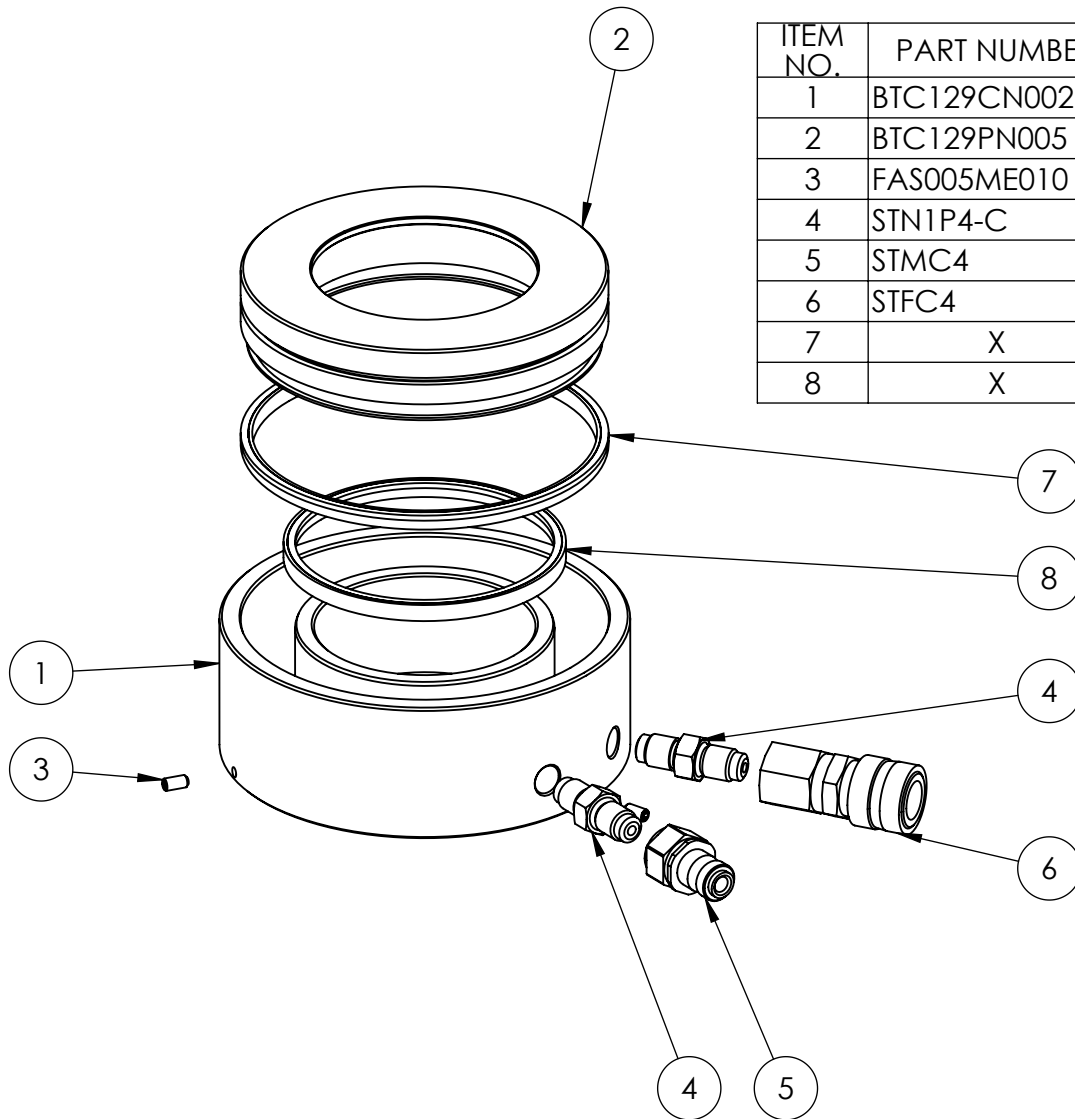


ITEM NO.	PART NUMBER	DESCRIPTION	QTY.
1	BTC129CN002	CYLINDER	1
2	BTC129PN005	PISTON (STS)	1
3	FAS005ME010	CUP PT SCREW	3
4	STN1P4-C	ADAPTER	2
5	STMC4	NIPPLE	1
6	STFC4	COUPLER	1
7	X	OUTER SEAL	1
8	X	INNER SEAL	1



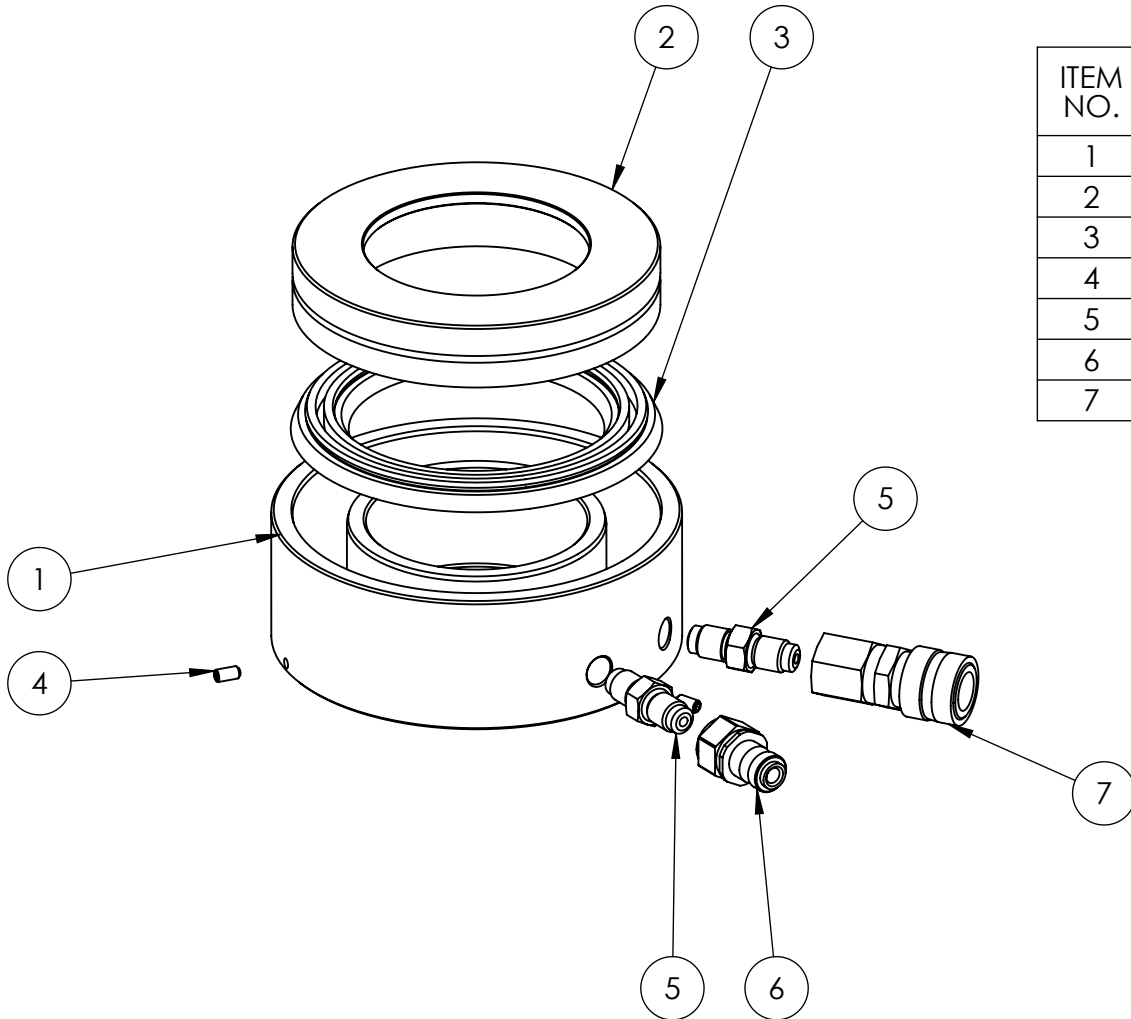
ITEMS MARKED X ARE AVAILABLE IN SERVICE KIT STS4LCTP2-K ONLY

REVISION

1	
2	
3	3932
4	
5	
6	
7	
8	
9	
10	
11	
12	
13	
14	
15	
16	
17	
18	
19	
20	

**IMPORTANT**

WHEN ORDERING SPARES YOU MUST STATE THE FULL PART NUMBER AND THE PRODUCT SERIAL NUMBER - FROM THE LABEL TO PROTECT YOUR WARRANTY ALWAYS USE GENUINE HI-FORCE PARTS.



ITEM NO.	PART NUMBER	DESCRIPTION	QTY.
1	BTC129CN001	CYLINDER	1
2	BTC129PN001	PISTON (STS)	1
3	STS4LCTP1-K	PISTON SEAL.	1
4	FAS005ME010	CUP PT SCREW	3
5	STN1P4-C	ADAPTER	2
6	STMC4	NIPPLE	1
7	STFC4	COUPLER	1

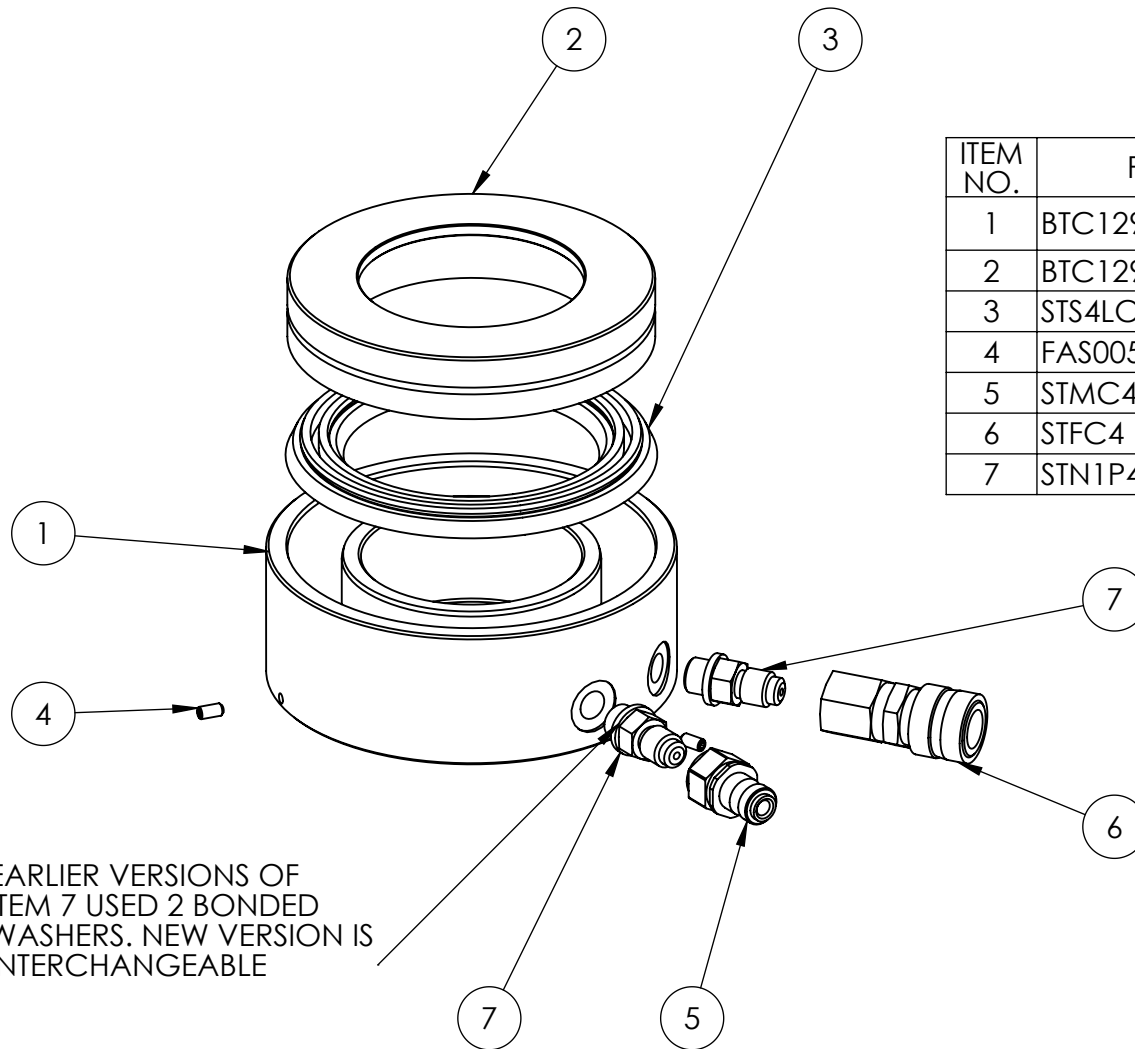
REVISION

1	
2	3932
3	
4	
5	
6	
7	
8	
9	
10	
11	
12	
13	
14	
15	
16	
17	
18	
19	
20	

**IMPORTANT**

WHEN ORDERING SPARES YOU MUST STATE THE FULL PART NUMBER AND THE PRODUCT SERIAL NUMBER - FROM THE LABEL TO PROTECT YOUR WARRANTY ALWAYS USE GENUINE HI-FORCE PARTS.

2
3
4
5
6
7
8
9
10
11
12
13
14
15
16
17
18
19
20



EARLIER VERSIONS OF  
ITEM 7 USED 2 BONDED  
WASHERS. NEW VERSION IS  
INTERCHANGEABLE

ITEM NO.	PART NUMBER	DESCRIPTION	QTY.
1	BTC129CN001 (NOTE 1)	CYLINDER	1
2	BTC129PN001	PISTON (STS)	1
3	STS4LCTP1-K	PISTON SEAL.	1
4	FAS005ME010	CUP PT SCREW	3
5	STMC4	NIPPLE	1
6	STFC4	COUPLER	1
7	STN1P4 (NOTE 2)	NIPPLE ASSY	2

NOTE 1:  
IF CYLINDER IS REPLACED THEN ITEM 7 MUST ALSO BE  
REPLACED WITH STN1P4-C AND THEN BONDED SEAL  
IS NO LONGER REQUIRED

NOTE 2: INCLUDES BONDED SEAL

**IMPORTANT**

WHEN ORDERING SPARES YOU MUST STATE THE FULL PART NUMBER AND THE  
PRODUCT SERIAL NUMBER - FROM THE LABEL  
TO PROTECT YOUR WARRANTY ALWAYS USE GENUINE HI-FORCE PARTS.