

ITEM NO.	PART NUMBER	DESCRIPTION	QTY.
1	BTC185CR001	CYLINDER	1
2	BTC185PR002	PISTON (STS)	1
3	STN1P4-C	ADAPTER	2
4	STMC4	NIPPLE	1
5	STFC4	COUPLER	1
6	FAS005ME010	CUP PT SCREW	3
7	X	OUTER SEAL	1
8	X	INNER SEAL	1

ITEMS MARKED X ARE AVAILABLE IN SERVICE KIT STS5LCTP2-K ONLY

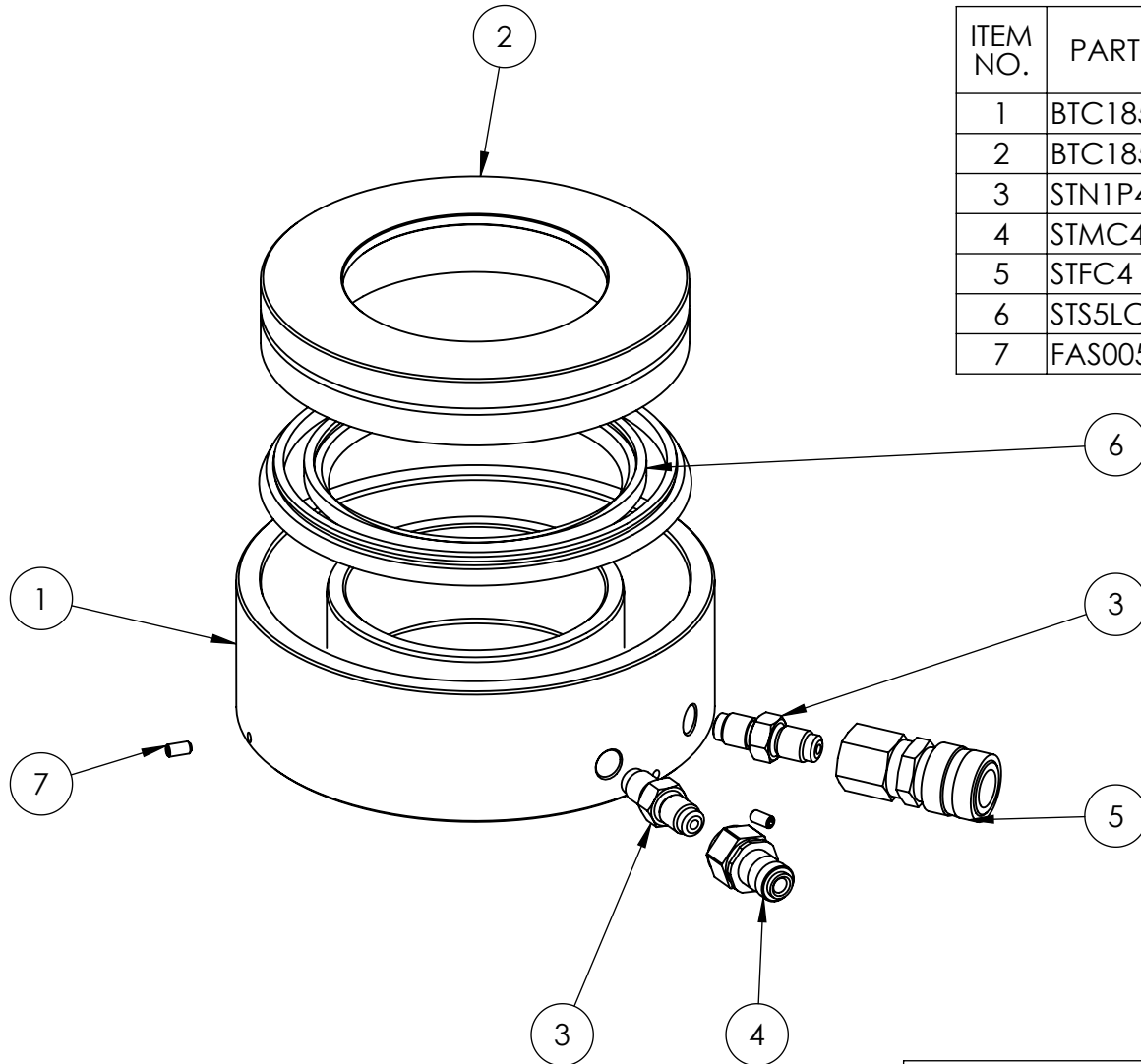
REVISION

1	
2	
3	3932
4	
5	
6	
7	
8	
9	
10	
11	
12	
13	
14	
15	
16	
17	
18	
19	
20	

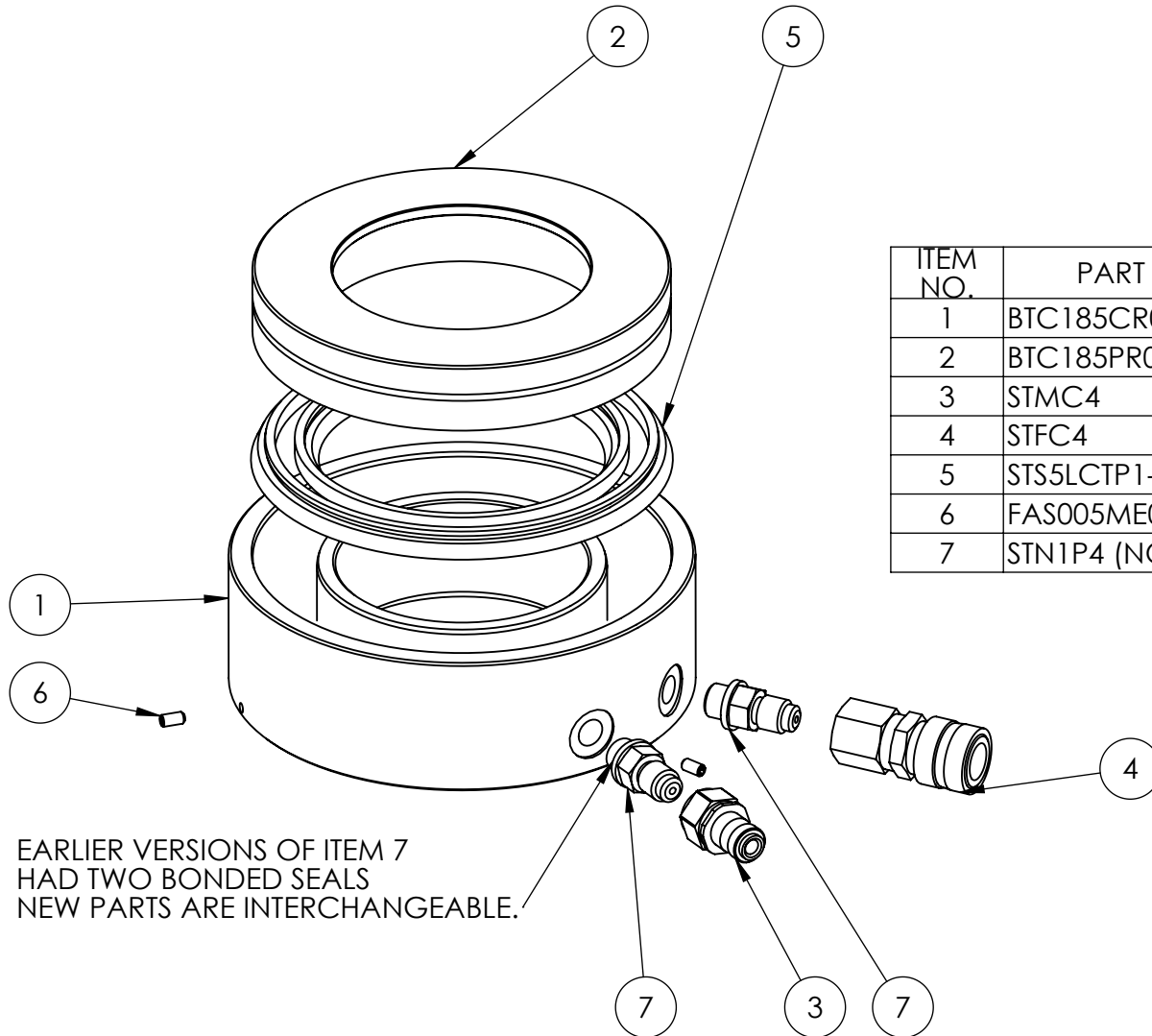
IMPORTANT
WHEN ORDERING SPARES YOU MUST STATE THE FULL PART NUMBER AND THE PRODUCT SERIAL NUMBER - FROM THE LABEL TO PROTECT YOUR WARRANTY ALWAYS USE GENUINE HI-FORCE PARTS.

1	
2	3932
3	
4	
5	
6	
7	
8	
9	
10	
11	
12	
13	
14	
15	
16	
17	
18	
19	
20	

ITEM NO.	PART NUMBER	DESCRIPTION	QTY
1	BTC185CR001	CYLINDER	1
2	BTC185PR001	PISTON (STS)	1
3	STN1P4-C	ADAPTER	2
4	STMC4	NIPPLE	1
5	STFC4	COUPLER	1
6	STS5LCTP1-K	PISTON SEAL.	1
7	FAS005ME010	CUP PT SCREW	3



IMPORTANT
WHEN ORDERING SPARES YOU MUST STATE THE FULL PART NUMBER AND THE
PRODUCT SERIAL NUMBER - FROM THE LABEL
TO PROTECT YOUR WARRANTY ALWAYS USE GENUINE HI-FORCE PARTS.



EARLIER VERSIONS OF ITEM 7
HAD TWO BONDED SEALS
NEW PARTS ARE INTERCHANGEABLE.

ITEM NO.	PART NUMBER	DESCRIPTION	QTY.
1	BTC185CR001 (NOTE 1)	CYLINDER	1
2	BTC185PR001	PISTON (STS)	1
3	STMC4	NIPPLE	1
4	STFC4	COUPLER	1
5	STS5LCTP1-K	PISTON SEAL.	1
6	FAS005ME010	CUP PT SCREW	3
7	STN1P4 (NOTE 2)	NIPPLE ASSY	2

NOTE 1:
IF CYLINDER IS REPLACED THEN ITEM 7 MUST
ALSO BE REPLACED BY STN1P4-C AND THEN
BONDED SEALS NO LONGER REQUIRED.

NOTE 2: ALSO INCLUDES BONDED SEAL

REVISION

1 3932

2

3

4

5

6

7

8

9

10

11

12

13

14

15

16

17

18

19

20

IMPORTANT
WHEN ORDERING SPARES YOU MUST STATE THE FULL PART NUMBER AND THE
PRODUCT SERIAL NUMBER - FROM THE LABEL
TO PROTECT YOUR WARRANTY ALWAYS USE GENUINE HI-FORCE PARTS.