

ITEM NO.	PART NUMBER	DESCRIPTION	QTY.
1	BTC268CX001	CYLINDER	1
2	BTC268PX002	PISTON (STS)	1
3	STN1P4-C	ADAPTER	2
4	FAS005ME010	CUP PT SCREW	3
5	STMC4	NIPPLE	1
6	STFC4	COUPLER	1
7	X	OUTER SEAL	1
8	X	INNER SEAL	1

ITEMS MARKED X ARE AVAILABLE IN SERVICE KIT
STS6LCPT2-K ONLY

REVISION

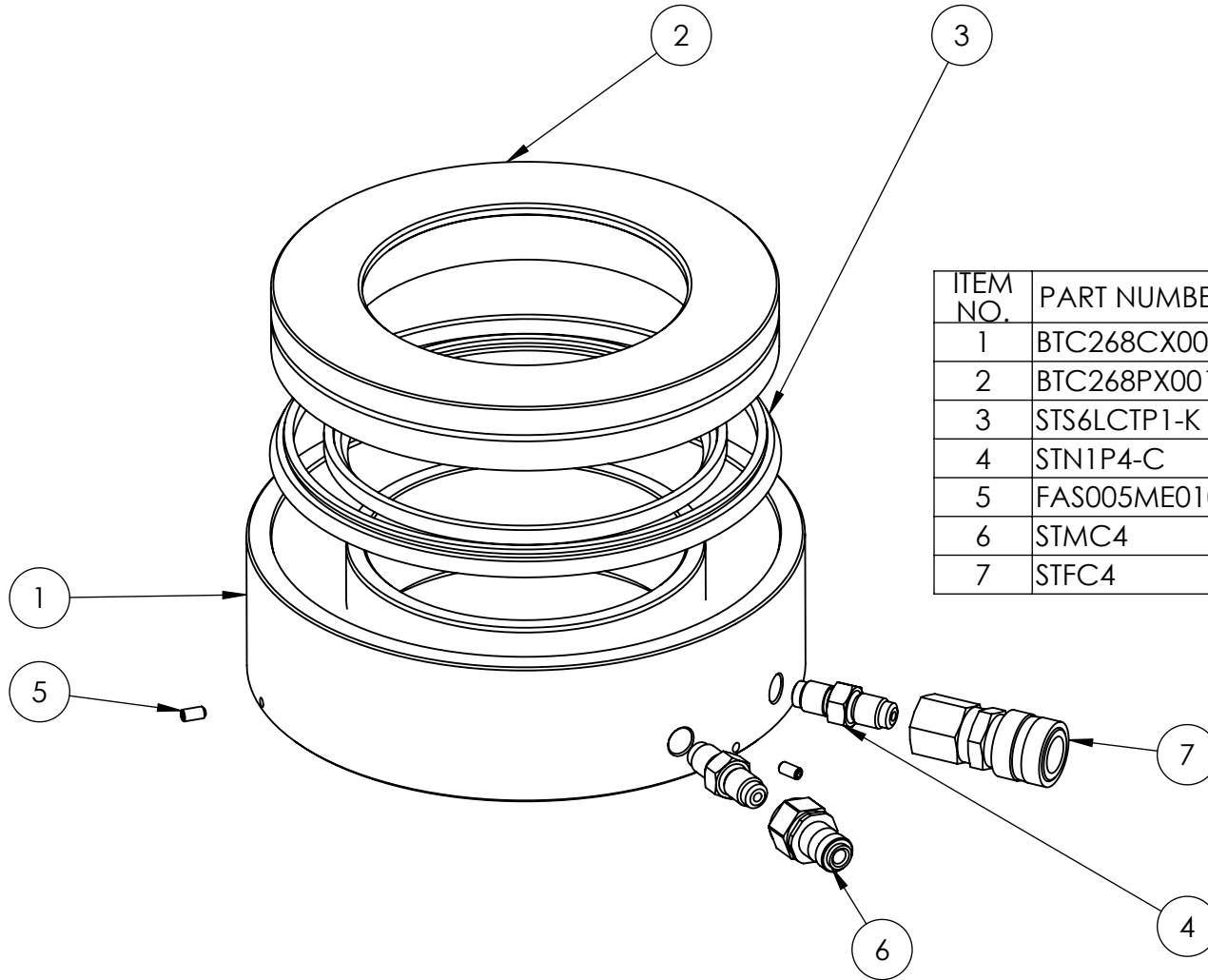
1	
2	
3	3932
4	
5	
6	
7	
8	
9	
10	
11	
12	
13	
14	
15	
16	
17	
18	
19	
20	

IMPORTANT

WHEN ORDERING SPARES YOU MUST STATE THE FULL PART NUMBER AND THE
PRODUCT SERIAL NUMBER - FROM THE LABEL
TO PROTECT YOUR WARRANTY ALWAYS USE GENUINE HI-FORCE PARTS.

REVISION

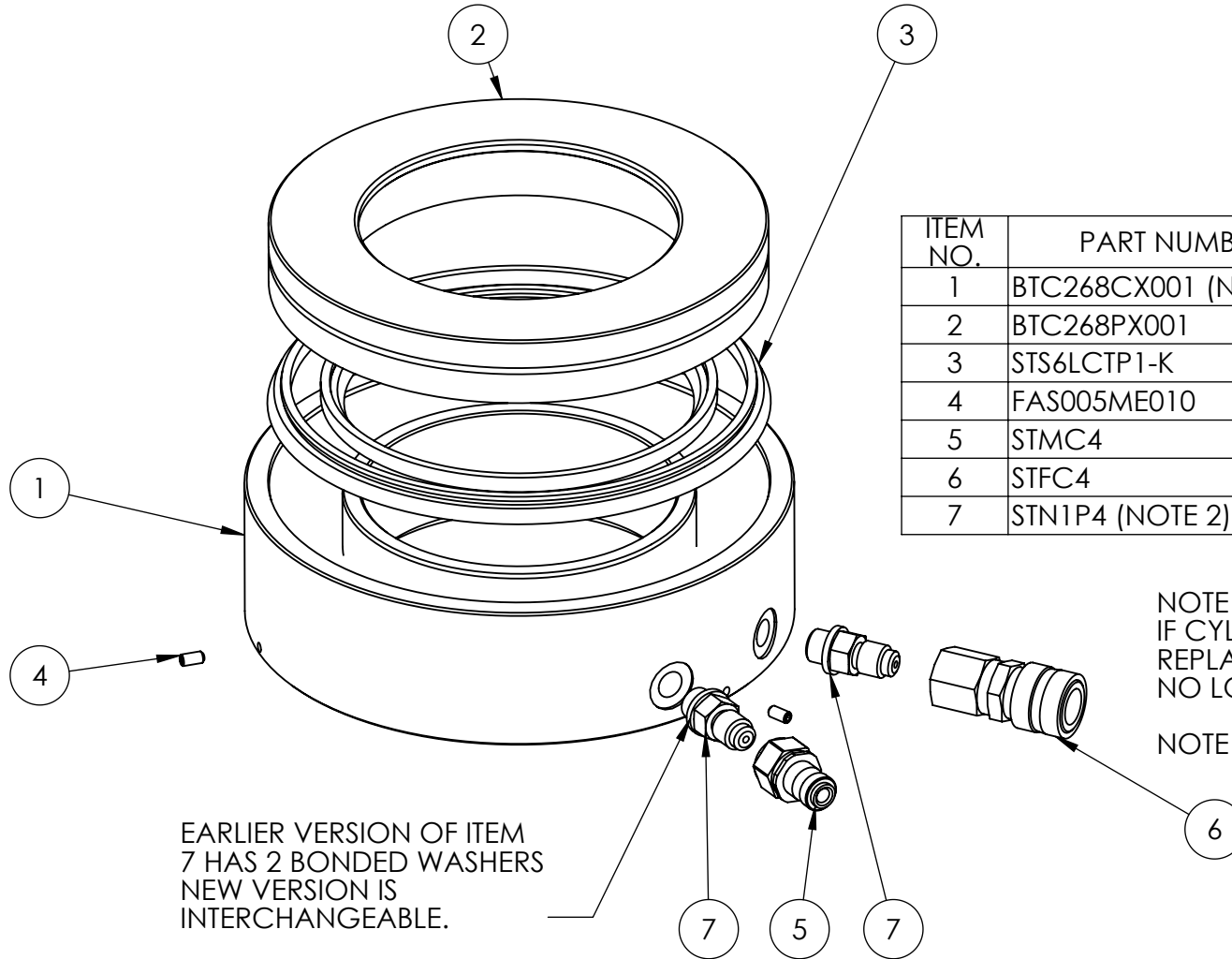
1	
2	3932
3	
4	
5	
6	
7	
8	
9	
10	
11	
12	
13	
14	
15	
16	
17	
18	
19	
20	



ITEM NO.	PART NUMBER	DESCRIPTION	QTY.
1	BTC268CX001	CYLINDER	1
2	BTC268PX001	PISTON (STS)	1
3	STS6LCTP1-K	PISTON SEAL.	1
4	STN1P4-C	ADAPTER	2
5	FAS005ME010	CUP PT SCREW	3
6	STMC4	NIPPLE	1
7	STFC4	COUPLER	1

IMPORTANT
WHEN ORDERING SPARES YOU MUST STATE THE FULL PART NUMBER AND THE PRODUCT SERIAL NUMBER - FROM THE LABEL TO PROTECT YOUR WARRANTY ALWAYS USE GENUINE HI-FORCE PARTS.

2
3
4
5
6
7
8
9
10
11
12
13
14
15
16
17
18
19
20



ITEM NO.	PART NUMBER	DESCRIPTION	QTY.
1	BTC268CX001 (NOTE 1)	CYLINDER	1
2	BTC268PX001	PISTON (STS)	1
3	STS6LCTP1-K	PISTON SEAL.	1
4	FAS005ME010	CUP PT SCREW	3
5	STMC4	NIPPLE	1
6	STFC4	COUPLER	1
7	STN1P4 (NOTE 2)	NIPPLE ASSY	2

NOTE 1:
IF CYLINDER IS REPLACED THEN ITEM 7 MUST BE REPLACED WITH STNP4-C AND THEN BONDED WASHERS NO LONGER REQUIRED

NOTE 2: INCLUDES BONDED WASHER

EARLIER VERSION OF ITEM 7 HAS 2 BONDED WASHERS NEW VERSION IS INTERCHANGEABLE.

IMPORTANT

WHEN ORDERING SPARES YOU MUST STATE THE FULL PART NUMBER AND THE PRODUCT SERIAL NUMBER - FROM THE LABEL TO PROTECT YOUR WARRANTY ALWAYS USE GENUINE HI-FORCE PARTS.