

ITEM NO.	PART NUMBER	DESCRIPTION	QTY.
1	BTC043PH003	PISTON	1
2	STFC4	COUPLER	1
3	STMC4	NIPPLE	1
4	BS4278-M12	EYEBOLT	2
5	BTC043CH003	CYLINDER	1
6	STN1P4-C	ADAPTER	2
7	X	OUTER SEAL	1
8	X	INNER SEAL	1

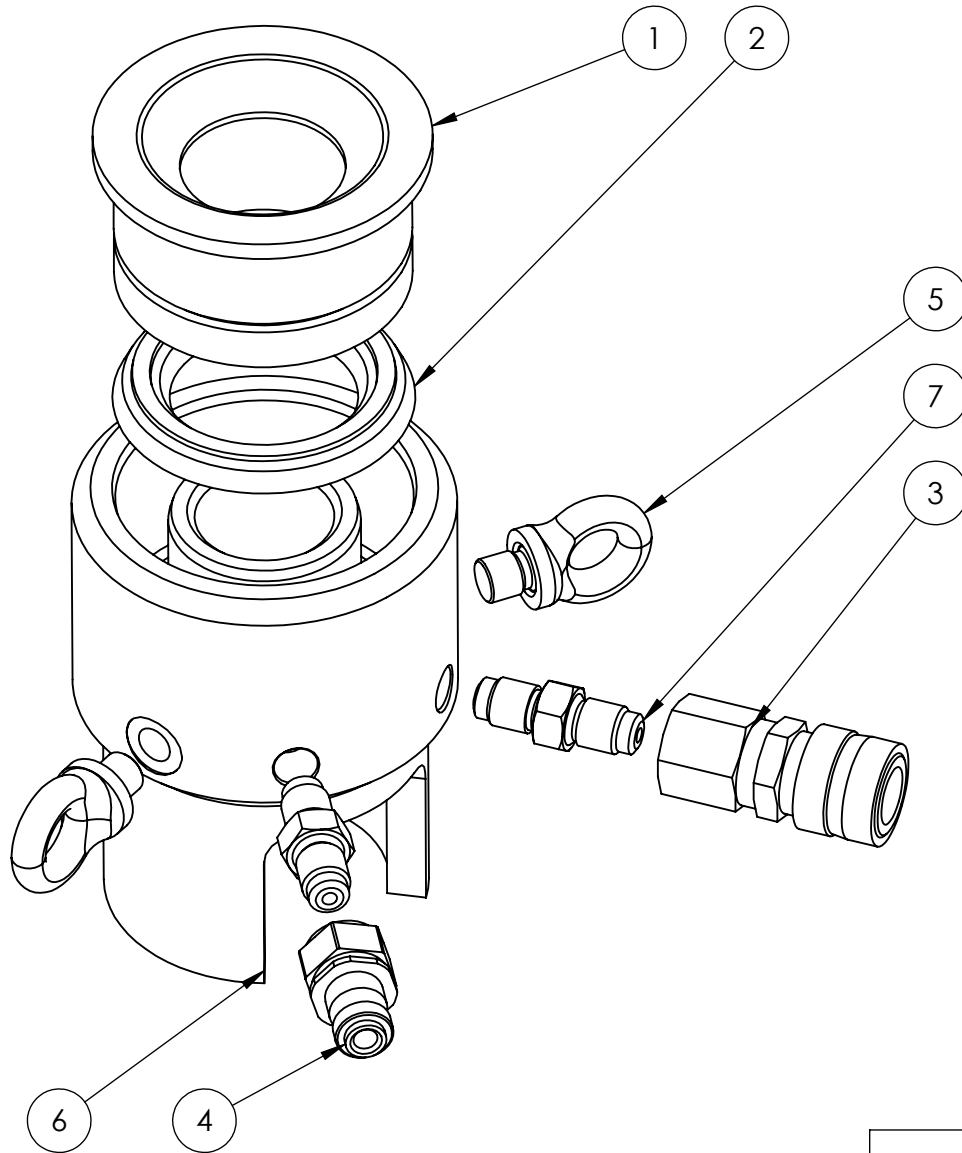
REVISION

1	
2	
3	4172
4	
5	
6	
7	
8	
9	
10	
11	
12	
13	
14	
15	
16	
17	
18	
19	
20	

ITEMS MARKED 'X' ARE AVAILABLE IN KIT STU2LCTP2-K ONLY

IMPORTANT

WHEN ORDERING SPARES YOU MUST STATE THE FULL PART NUMBER AND THE PRODUCT SERIAL NUMBER - FROM THE LABEL TO PROTECT YOUR WARRANTY ALWAYS USE GENUINE HI-FORCE PARTS.



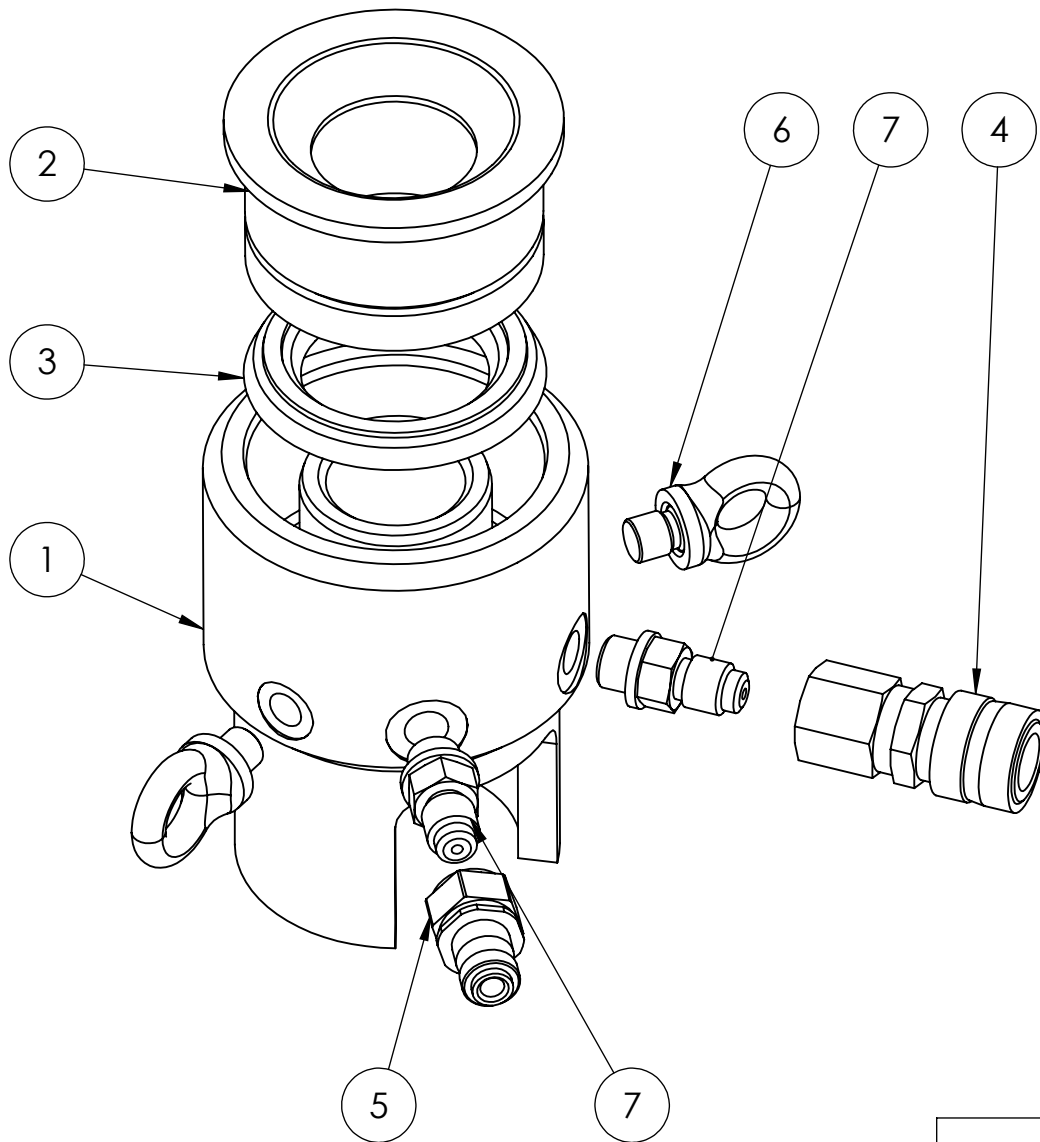
ITEM NO.	PART NUMBER	DESCRIPTION	QTY.
1	BTC043PH001	PISTON	1
2	STU2LCTP1-K	FACE SEAL	1
3	STFC4	COUPLER	1
4	STMC4	NIPPLE	1
5	BS4278-M12	EYEBOLT	2
6	BTC043CH001	CYLINDER	1
7	STN1P4-C	ADAPTER	2

REVISION

1	
2	4172
3	
4	
5	
6	
7	
8	
9	
10	
11	
12	
13	
14	
15	
16	
17	
18	
19	
20	

IMPORTANT

WHEN ORDERING SPARES YOU MUST STATE THE FULL PART NUMBER AND THE PRODUCT SERIAL NUMBER - FROM THE LABEL TO PROTECT YOUR WARRANTY ALWAYS USE GENUINE HI-FORCE PARTS.



ITEM NO.	PART NUMBER	DESCRIPTION	QTY.
1	BTC043CH001	CYLINDER	1
2	BTC043PH001	PISTON	1
3	STU2LCTP1-K	FACE SEAL	1
4	STFC4	COUPLER	1
5	STMC4	NIPPLE	1
6	BS4278-M12	EYEBOLT	2
7	STN1P4	NIPPLE ASSY	2

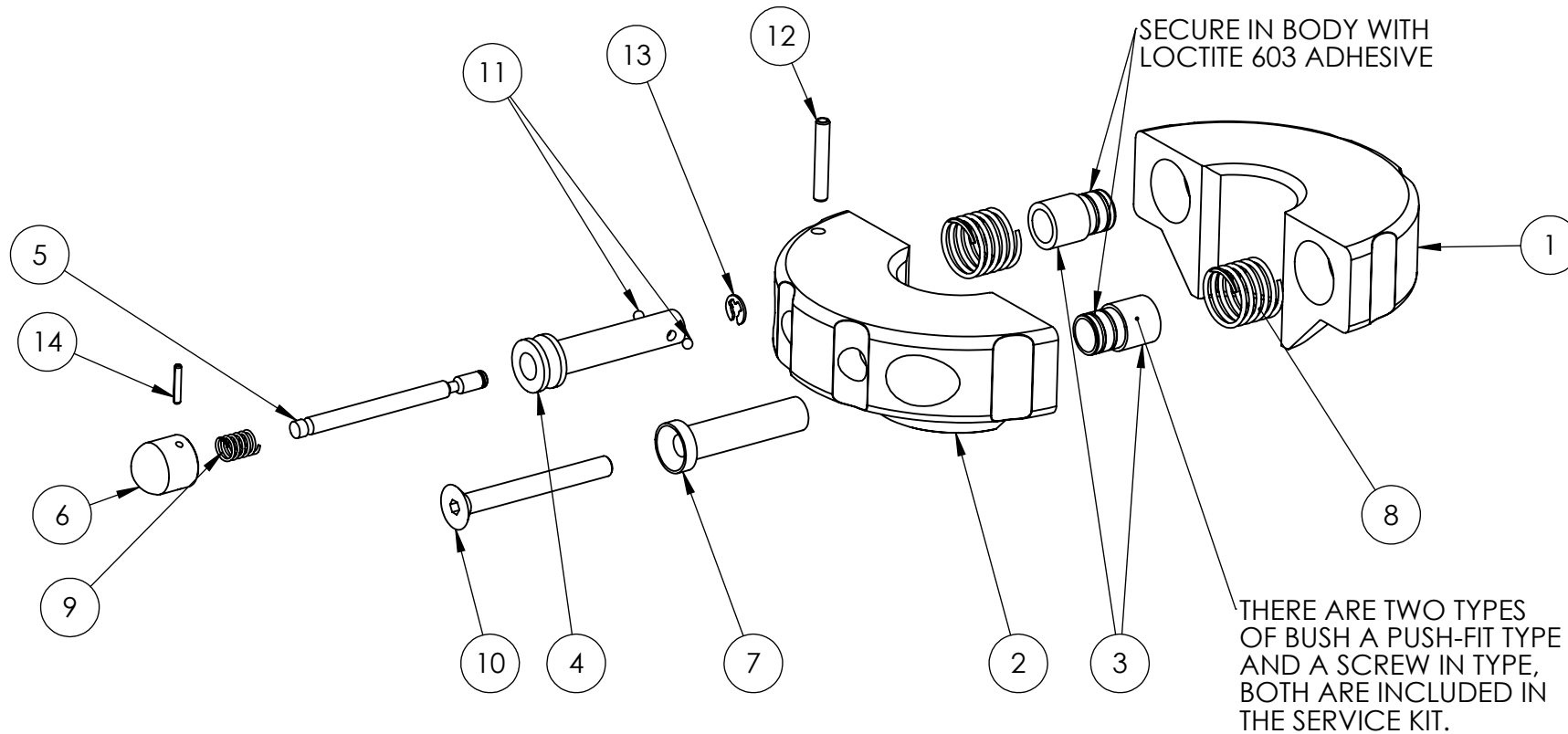
NOTES:

1. ITEMS MARKED 'X' SUPPLIED IN KIT STU2LCTP1-K ONLY.
2. EARLIER VERSIONS OF ITEM 7 HAVE 2 BONDED SEALS FITTED. WHEN REPLACING, ONLY 1 SEAL IS REQUIRED.
3. DUE TO DESIGN IMPROVEMENTS WHEN REPLACING ITEM 1, ITEM 7 MUST ALSO BE REPLACED WITH STN1P4-C

2
3
4
5
6
7
8
9
10
11
12
13
14
15
16
17
18
19
20

IMPORTANT

WHEN ORDERING SPARES YOU MUST STATE THE FULL PART NUMBER AND THE PRODUCT SERIAL NUMBER - FROM THE LABEL TO PROTECT YOUR WARRANTY ALWAYS USE GENUINE HI-FORCE PARTS.



REVISION	
1	4151
2	4256
3	4257
4	
5	
6	
7	
8	
9	
10	
11	
12	
13	
14	
15	
16	
17	
18	
19	
20	

TENSIONER SERIES	QUICKFIT PULLER	SERVICE KIT
STU1	QFP1	QFP12TP1-K
STU2	QFP2	
STU3	QFP3	QFP34TP1-K
STU4	QFP4	QFP5TP1-K
STU5	QFP5	
STU6	QFP6	QFP67TP1-K
STU7	QFP7	

ITEMS 1 AND 2 NOT AVAILABLE AS SPARE PARTS
ITEMS 3-14 ARE INCLUDED IN SERVICE KIT

IMPORTANT
WHEN ORDERING SPARES YOU MUST STATE THE FULL PART NUMBER AND THE PRODUCT SERIAL NUMBER - FROM THE LABEL
TO PROTECT YOUR WARRANTY ALWAYS USE GENUINE HI-FORCE PARTS.