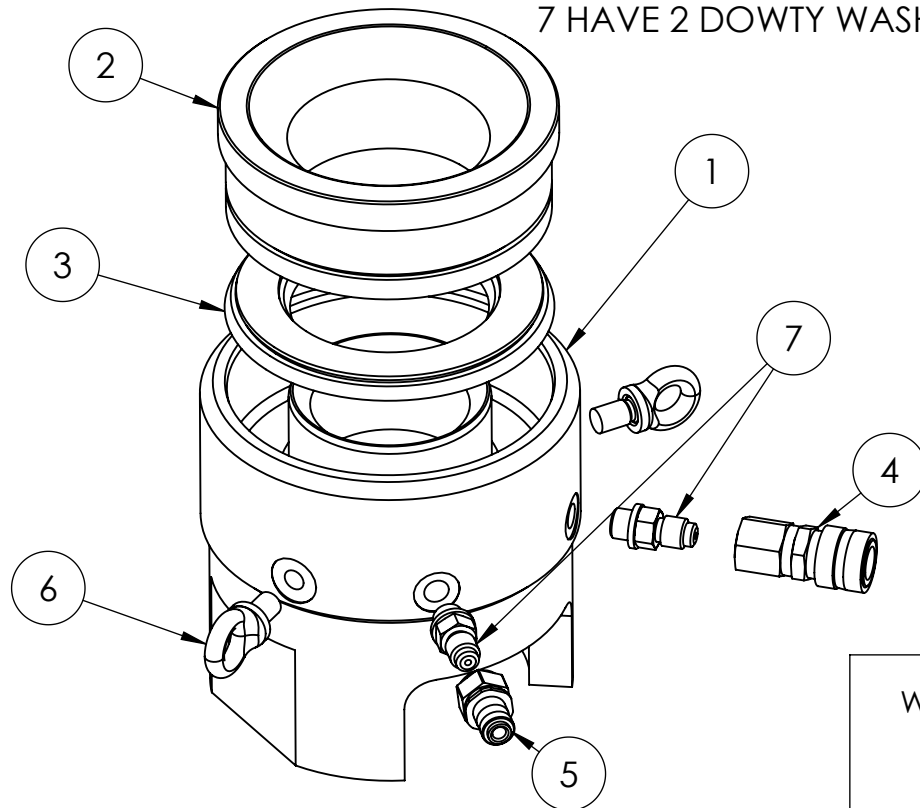


NOTE: ITEMS MARKED 'X' SUPPLIED
IN KIT STU6LCTP1-K ONLY.

ITEM NO.	PART NUMBER	DESCRIPTION	with dowty washers/QTY.
1	BTC167CQ002 OBS ISS 3	CYLINDER	1
2	BTC167PQ002	PISTON	1
3	X	PISTON SEAL	1
4	STFC4	FEMALE COUPLER	1
5	STMC4	MALE COUPLER	1
6	BS4278-M12	EYEBOLT	2
7	STN1P4	NIPPLE ASSY	2

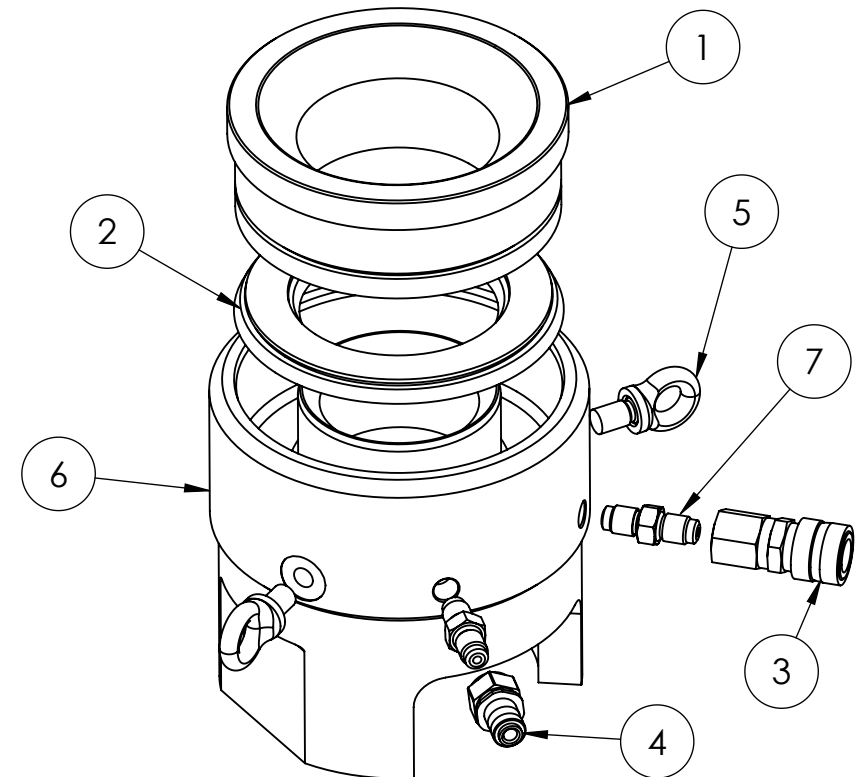
SERIAL NUMBERS BELOW AV9679

NOTE: EARLIER VERSIONS OF ITEM
7 HAVE 2 DOWTY WASHERS



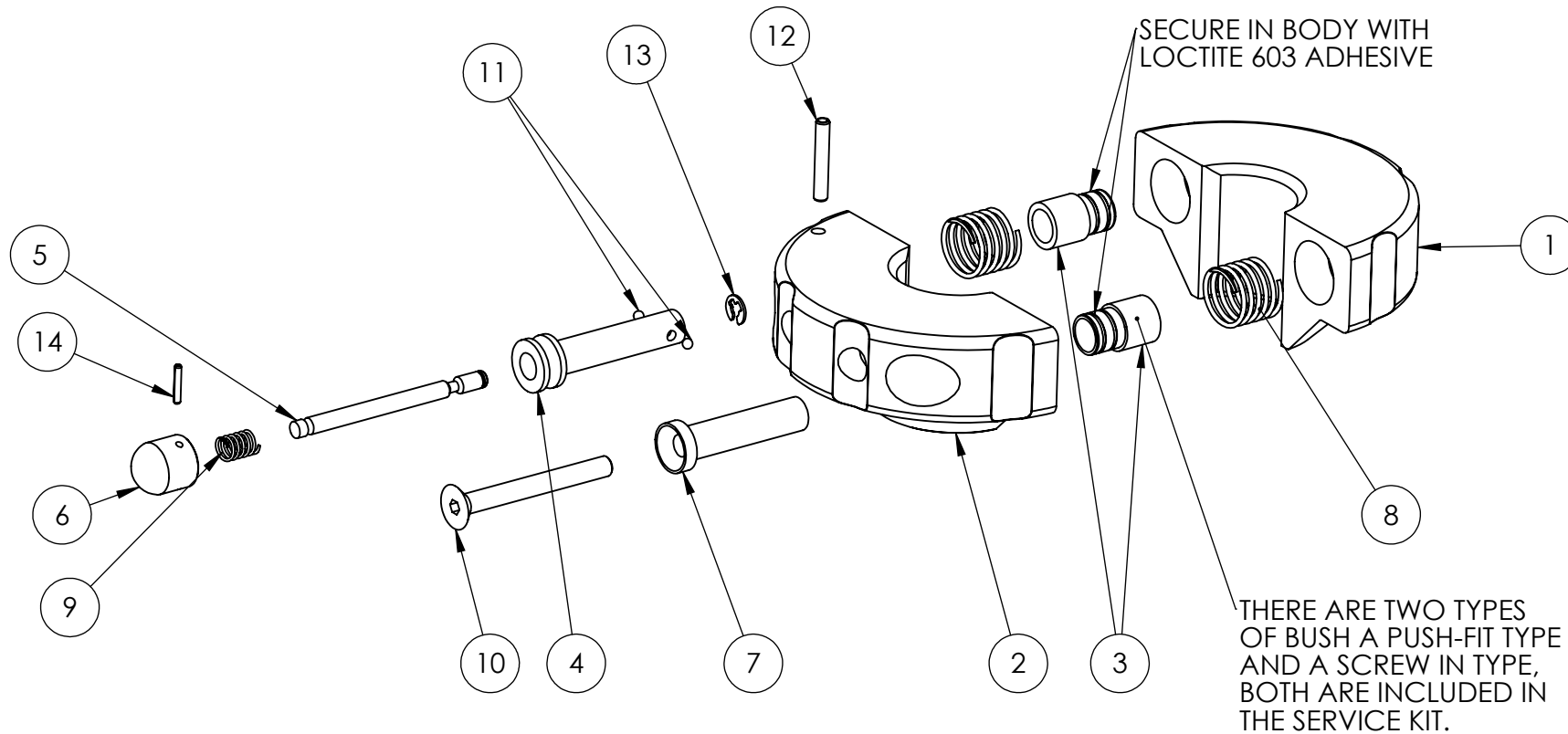
ITEM NO.	PART NUMBER	DESCRIPTION	with cone fittings/QTY.
1	BTC167PQ002	PISTON	1
2	X	PISTON SEAL	1
3	STFC4	FEMALE COUPLER	1
4	STMC4	MALE COUPLER	1
5	BS4278-M12	EYEBOLT	2
6	BTC167CQ002	CYLINDER	1
7	STN1P4-C	NIPPLE	2

SERIAL NUMBERS AV9679



IMPORTANT

WHEN ORDERING SPARES YOU MUST STATE THE FULL PART NUMBER AND THE
PRODUCT SERIAL NUMBER - FROM THE LABEL
TO PROTECT YOUR WARRANTY ALWAYS USE GENUINE HI-FORCE PARTS.



REVISION	
1	4151
2	4256
3	4257
4	
5	
6	
7	
8	
9	
10	
11	
12	
13	
14	
15	
16	
17	
18	
19	
20	

TENSIONER SERIES	QUICKFIT PULLER	SERVICE KIT
STU1	QFP1	QFP12TP1-K
STU2	QFP2	
STU3	QFP3	QFP34TP1-K
STU4	QFP4	QFP5TP1-K
STU5	QFP5	
STU6	QFP6	QFP67TP1-K
STU7	QFP7	

ITEMS 1 AND 2 NOT AVAILABLE AS SPARE PARTS
ITEMS 3-14 ARE INCLUDED IN SERVICE KIT

IMPORTANT
WHEN ORDERING SPARES YOU MUST STATE THE FULL PART NUMBER AND THE PRODUCT SERIAL NUMBER - FROM THE LABEL
TO PROTECT YOUR WARRANTY ALWAYS USE GENUINE HI-FORCE PARTS.