

#9A 'BC "	D5FHBI A 69F	8 9G7 F-ÐHC B	E HM
%	6H7 %* +7 E \$\$'	7 M@B 8 9F	%
&	6H7 %* +DE \$\$('	D-ÐHC B	%
'	GH 7 (7 C I D@9F	%
(GH A 7 (B-ÐD@9	%
)	6G(&+, !A %&	9M96C @H	&
*	G-B%D(!7	5 8 5 DH9F	&
+	L	G95 @? #1	%

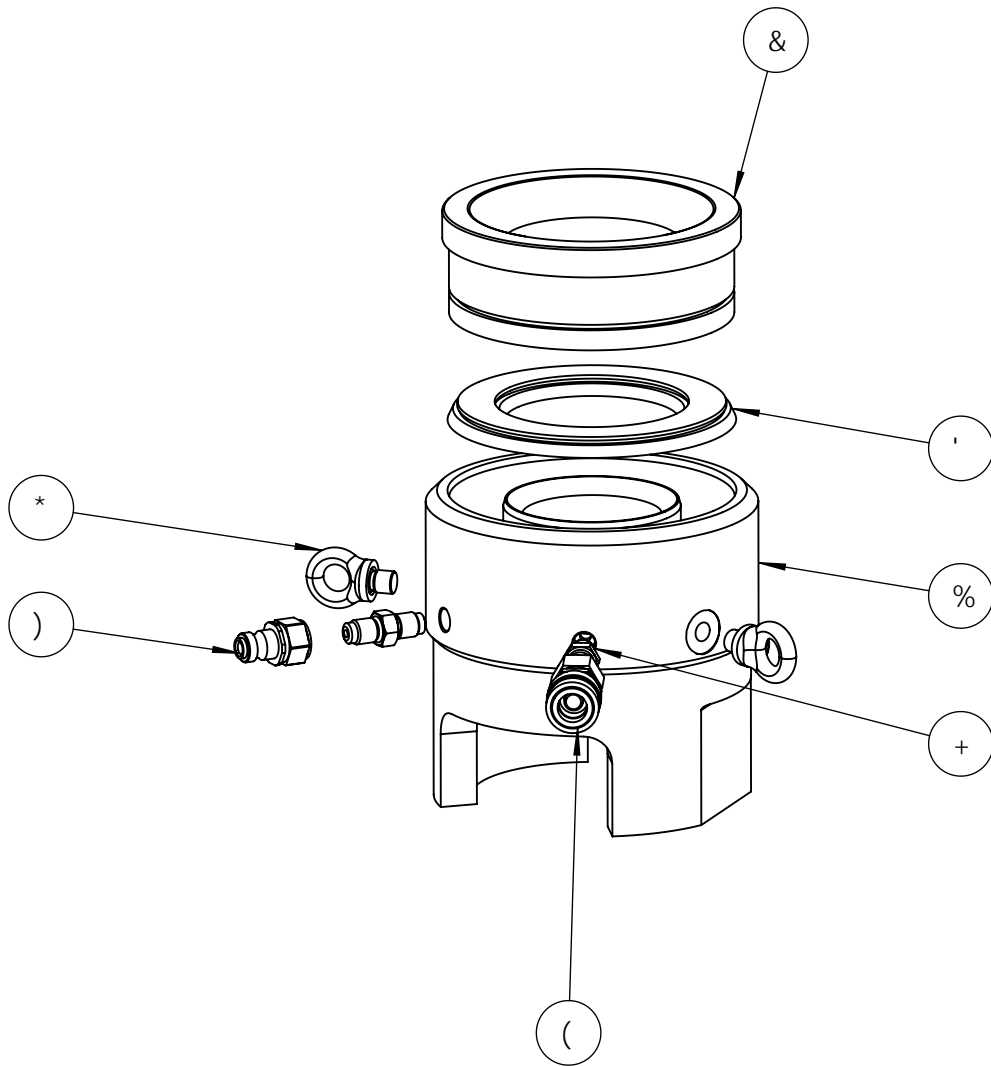
BC H9: #9A G'A 5F? 98 'fl fiG DD@98
-B ? #GH * @7 HD!?' C B @M

F9J -G€ B

%
& &+(,
• (&'
(
)
*
+
,
-
%\$
%%
%&
%
%{
%9
%*
%+
%
%-
&\$

A DCFH5BH

K < 9B 'C F8 9F-B; 'GD5F9G'MC I 'A I GHG-5H9'Hk 9: I @@D5FHBI A 69F '5B 8 'Hk 9'
DFC 8I 7 HG9F-5@BI A 69F '! : FCA 'Hk 9'@5 69@
HC 'DFC H97 HMC I F'K 5FF5BHM5 @K 5 MG I G9; 9BI -B 9'< # : C F 7 9'D5FHG"



#9A 'BC "	D5FHBI A 69F	8 9G7 F ðHC B	E HM
%	6H7 %* +7 E \$\$&	7 M@B 8 9F	%
&	6H7 %* +DE \$\$&	D-GHC B	%
'	L	D-GHC B 'G95 @	%
(GH 7 (7 C I D@9F	%
)	GH 7 (B ðD@9	%
*	6G(&+, !A %&	9M96C @H	&
+	GB%D(!7	5 8 5 DH9F	&

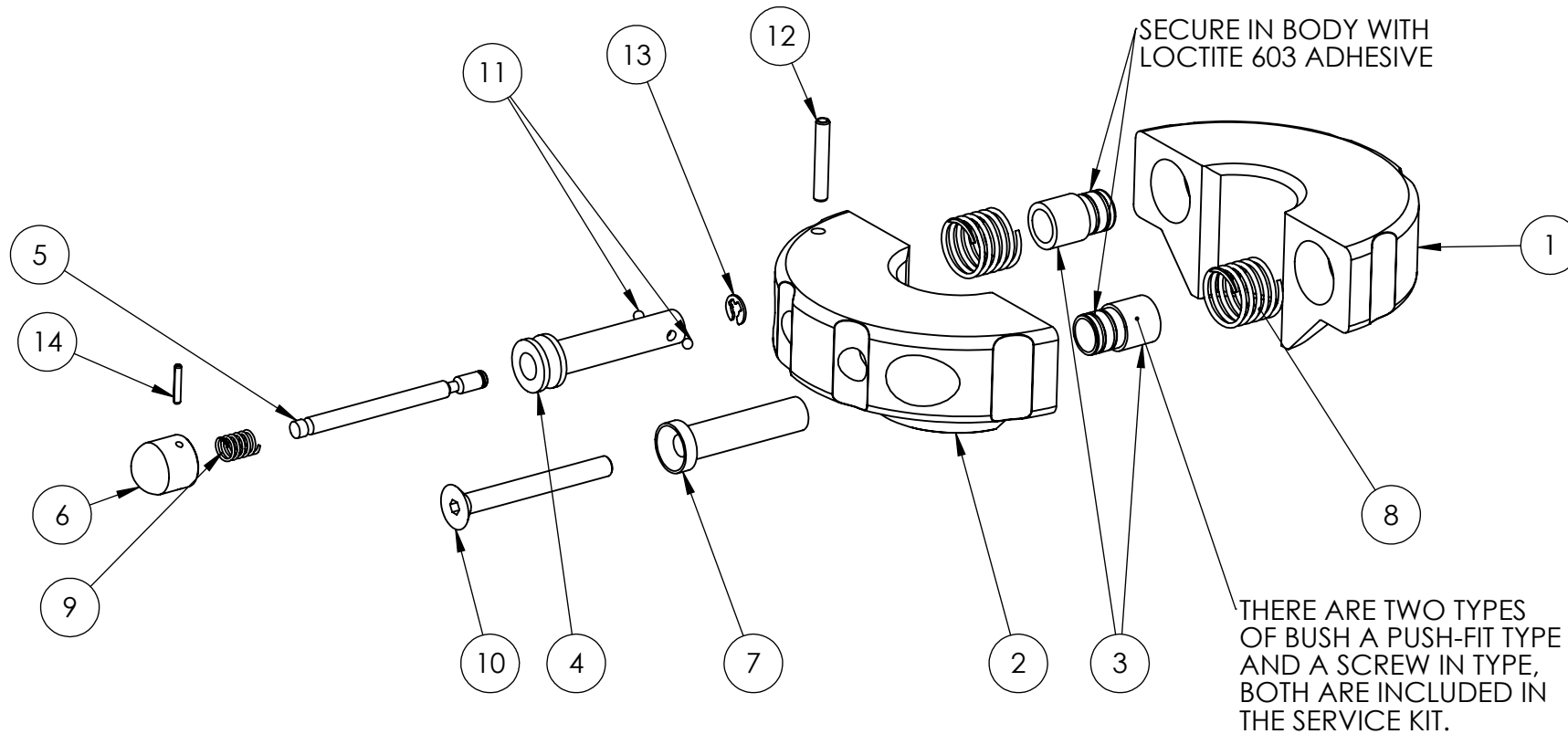
BC H9: #9A G'A 5F?98 fl fi GI DD@98
B ? #GH * @7 HD%? 'C B @M

F9J G€ B

%
& &+(,
'
(
)
*
+
,
-
%\$
%%
%&
%
%('
%9
%*
%+
%
%-
&\$

A DCFH5BH

K < 9B 'C F8 9F-B; 'GD5F9G'MC I 'A I GHG-5H9'Hk 9: I @D5FHBI A 69F '5B 8 'Hk 9'
DFC 8I 7 HG9F-5@BI A 69F '! : FCA 'Hk 9'@5 69@
HC 'DFC H97 HMC I F'K 5FF5BH M5 @K 5 MG'I G9'; 9BI B9 '<±: C F7 9'D5FHG"



REVISION	
1	4151
2	4256
3	4257
4	
5	
6	
7	
8	
9	
10	
11	
12	
13	
14	
15	
16	
17	
18	
19	
20	

TENSIONER SERIES	QUICKFIT PULLER	SERVICE KIT
STU1	QFP1	QFP12TP1-K
STU2	QFP2	
STU3	QFP3	QFP34TP1-K
STU4	QFP4	QFP5TP1-K
STU5	QFP5	
STU6	QFP6	QFP67TP1-K
STU7	QFP7	

ITEMS 1 AND 2 NOT AVAILABLE AS SPARE PARTS
ITEMS 3-14 ARE INCLUDED IN SERVICE KIT

IMPORTANT
WHEN ORDERING SPARES YOU MUST STATE THE FULL PART NUMBER AND THE PRODUCT SERIAL NUMBER - FROM THE LABEL
TO PROTECT YOUR WARRANTY ALWAYS USE GENUINE HI-FORCE PARTS.