

Hi-Force HYDRAULIC TOOLS		<u>OPERATING INSTRUCTIONS FOR USE WITH AIR OPERATED TOUGHLIFT JACKING SYSTEM</u>			TDS:- 1355
Prepared by:-	Mark Dalley	Approved by:-	Matthew Hughes	Date:12/10/12	
REV NO:-	002				
ECO:-	3936				

The **TOUGHLIFT** Jacking system is designed to be operator friendly when being used. However **SAFETY COMES FIRST** and the operator must be familiar with the potential dangers of not using the jack correctly.

- Jack must only be used on flat level concrete surfaces capable of holding the load being lifted. Where concrete is not available, a suitable load bearing plate capable of distributing the load must be placed between the ground and the jack base plate when performing the lift. DO NOT LIFT in soft or unstable ground alone
- Use a jack with sufficient capacity to lift the load
- Never support a load solely by hydraulic means
- Mechanical support must be used before working on or near a lifted load
- Use friction material under the base and between the jack and load
- Lift only dead weight loads
- Keep unauthorized personnel clear of lifted loads
- Use only approved hydraulic oil
- Supply pump must have sufficient oil to fully stroke the jack. Check oil level regularly and replenish as required
- Read and understand the safety and operating instructions before use
- Do not use jacks if damaged, altered or in poor repair
- User must ensure that all safety labels are maintained and replaced as lack of readability becomes evident

WARNING: ALWAYS ENSURE JACK IS POSITIONED AND LIFTS VERTICALLY

Hi-Force HYDRAULIC TOOLS		<u>OPERATING INSTRUCTIONS FOR USE WITH AIR OPERATED TOUHLIFT JACKING SYSTEM</u>		TDS:- 1355
Prepared by:-	Mark Dalley	Approved by:-	Matthew Hughes	Date:12/10/12
REV NO:-	002			
ECO:-	3936			

TO MOVE THE JACK

1. Adjust the handle to the most comfortable position by pulling the handle release and swinging the handle round until it locks into the appropriate handle Latch pin holes on the side of the body. Ensure both pins are fully engaged.
2. Tilt the jack right back onto its wheels, allowing it to be manoeuvred into the approximate location.
3. Position the Jack accurately under the lifting position by adjusting the handle to the lowest position and tilting the jack back slightly onto its wheels. This allows the jack to be moved whilst 'V' LIFT SYSTEM keeps the cylinder vertical. Ensure the saddle is centrally under the lift area before the lift commences.

TO OPERATE THE JACK

1. Connect to the air supply using appropriate quick release fittings, making sure a safety clip is used.
2. Switch the air on. (Pressure to the unit must be between 6.2 bar (90 psi) and 7.0 bar (100 psi) . Check the operating pressure is not set too high or low and adjust with the pressure regulating valve located at the rear of the jack adjacent to the air pressure gauge.
3. Using the air remote valve, press UP to extend the jacking cylinder and DOWN to retract the cylinder.
4. Advance the lifting rod to lift the load checking constantly that the load is stable and the jack remains in a fixed and vertical, stable, position.
5. Fit load blocks as required and lower load onto blocks.

GENERAL MAINTENANCE RECOMMENDATIONS

Carrying out the following on a regular basis is recommended to keep the jacking system operating in a trouble free manner. The time between maintenance is determined by the frequency of use and the site conditions.

- Keep unit clean, particularly the saddle, locking and extension pieces (if used). All saddle receiver holes should be blown out with compressed air
- Lightly lubricate the pins and saddle receiver holes
- Check air system lubricator oil level. Maintain level close to the maximum mark shown. Use Air line oil (ISO viscosity grade 20). Adjust number of oil drops to 1-2 during lift cycle
- Lubricate handle latch pins and holes
- To top up hydraulic oil remove the top cover and fill via orange filler cap.



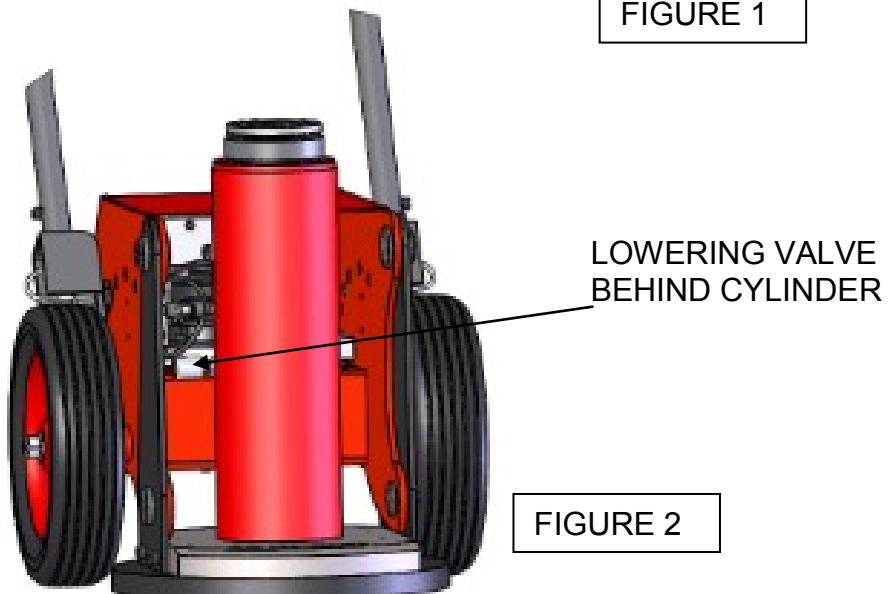
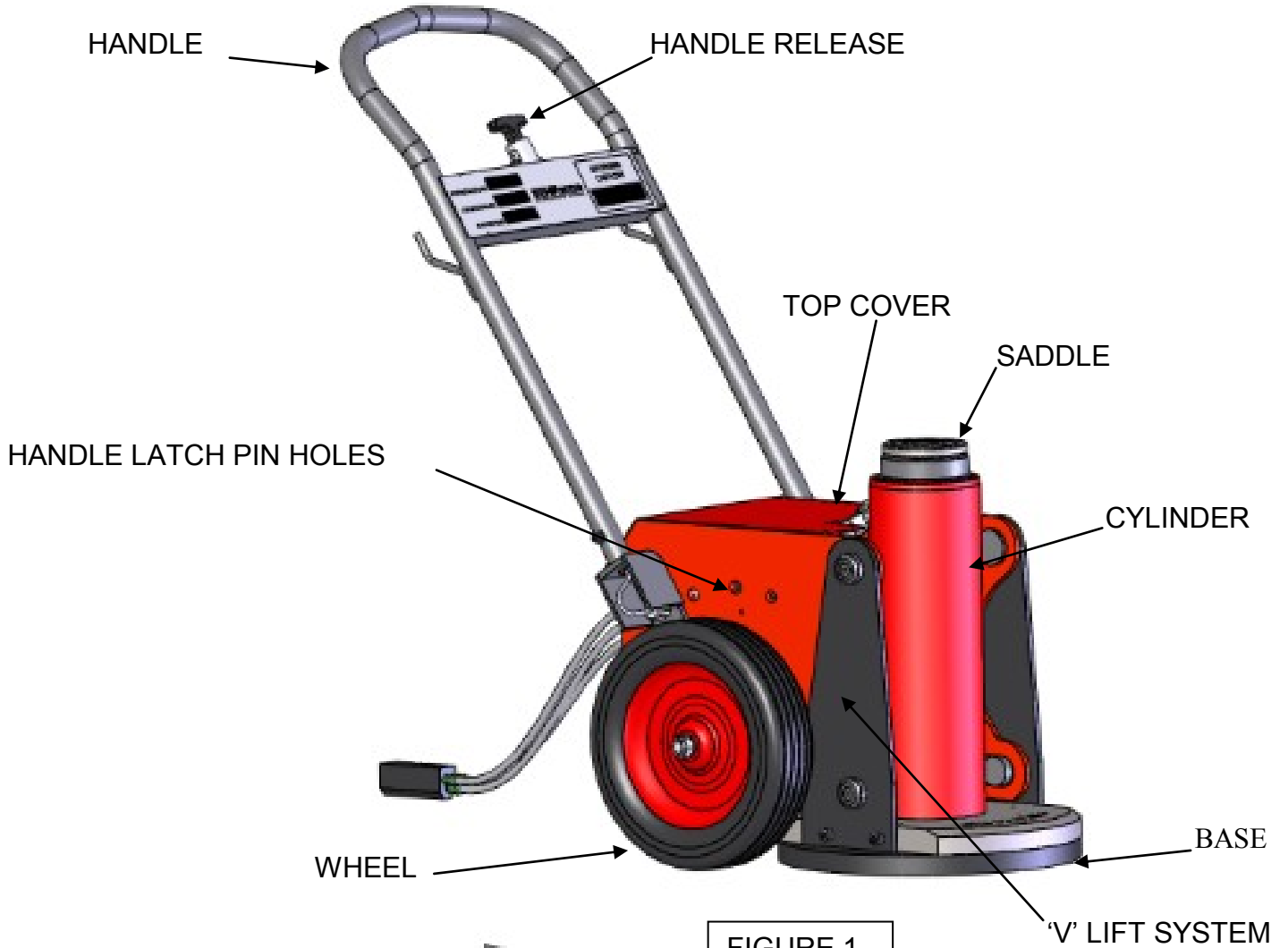
**OPERATING INSTRUCTIONS FOR USE WITH AIR
OPERATED TOUHLIFT JACKING SYSTEM**

TDS:-

1355

Prepared by:-	Mark Dalley	Approved by:-	Matthew Hughes	Date:12/10/12
REV NO:-	002			
ECO:-	3936			

Prepared by:-	Mark Dalley	Approved by:-	Matthew Hughes	Date:12/10/12
REV NO:-	002			
ECO:-	3936			



Prepared by:-	Mark Dalley	Approved by:-	Matthew Hughes	Date: 12/10/12
REV NO:-	002			
ECO:-	3936			

UK Head Office:

**Hi-Force Limited
Prospect Way,
Daventry,
Northants,
NN11 8PL,
United Kingdom,
Tel: +44 1327 301 000
Fax: +44 1327 706 555
Email: daventry@hi-force.com**

Hi-Force Regional Offices:

Hi-Force Australia Pty. Ltd Rockingham Australia Tel: +61 8 9591 1288 Email: australia@hi-force.com	Hi-Force Caspian Baku Azerbaijan Tel: +994 12 447 4100 Email: baku@hi-force.com
Hi-Force Hydraulics (Asia) S.B Selangor Malaysia Tel: +603 5569 4209 Email: malaysia@hi-force.com	Hi-Force Nederland BV Strijen Netherlands Tel: +31 78 6745488 Email: holland@hi-force.com
Hi-Force Hydraulics (Pty) Ltd Midrand South Africa Tel: +27 11 314 0555 Email: south.africa@hi-force.com	Hi-Force FZCO Dubai United Arab Emirates Tel: +971 4 815 0600 Email: dubai@hi-force.com
Hi-Force Hydraulics Abu Dhabi United Arab Emirates Tel: +971 2 551 3100 Email: abu.dhabi@hi-force.com	Hi-Force Hydraulic Equipment (Shanghai) Ltd. Co. Shanghai, China Tel: +86 21 6697 3010 Email: china@hi-force.com

GLOBAL BRAND. LOCAL SERVICE.**www.hi-force.com**