

FRAME  
SEE SHEET 3 FOR DETAILS

HANDLE ASSEMBLY  
SEE SHEET 4 FOR DETAILS

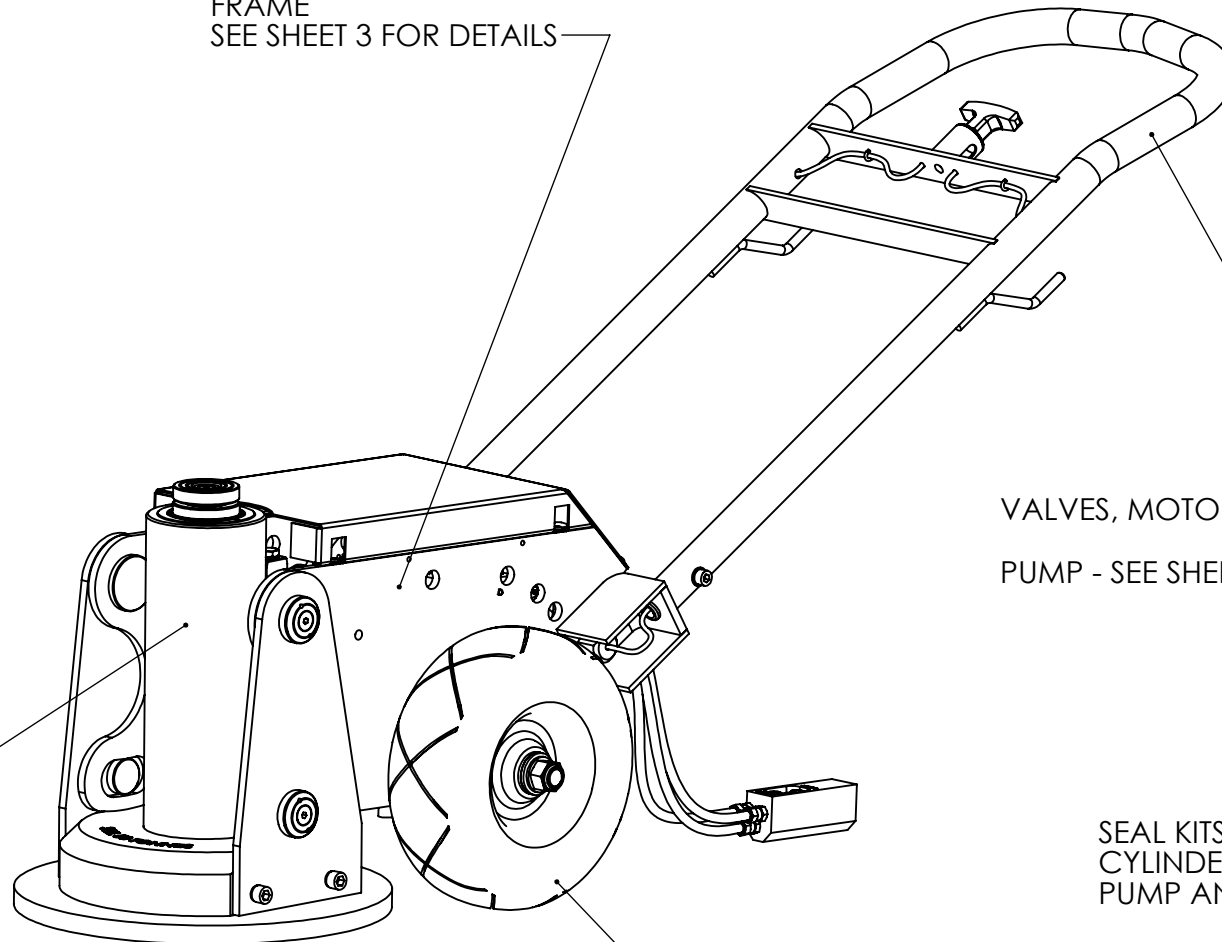
VALVES, MOTOR AND FITTINGS - SEE SHEET 5

PUMP - SEE SHEET 6

CYLINDER ASSEMBLY  
HDA5010TL  
SEE SHEET 2 FOR DETAILS

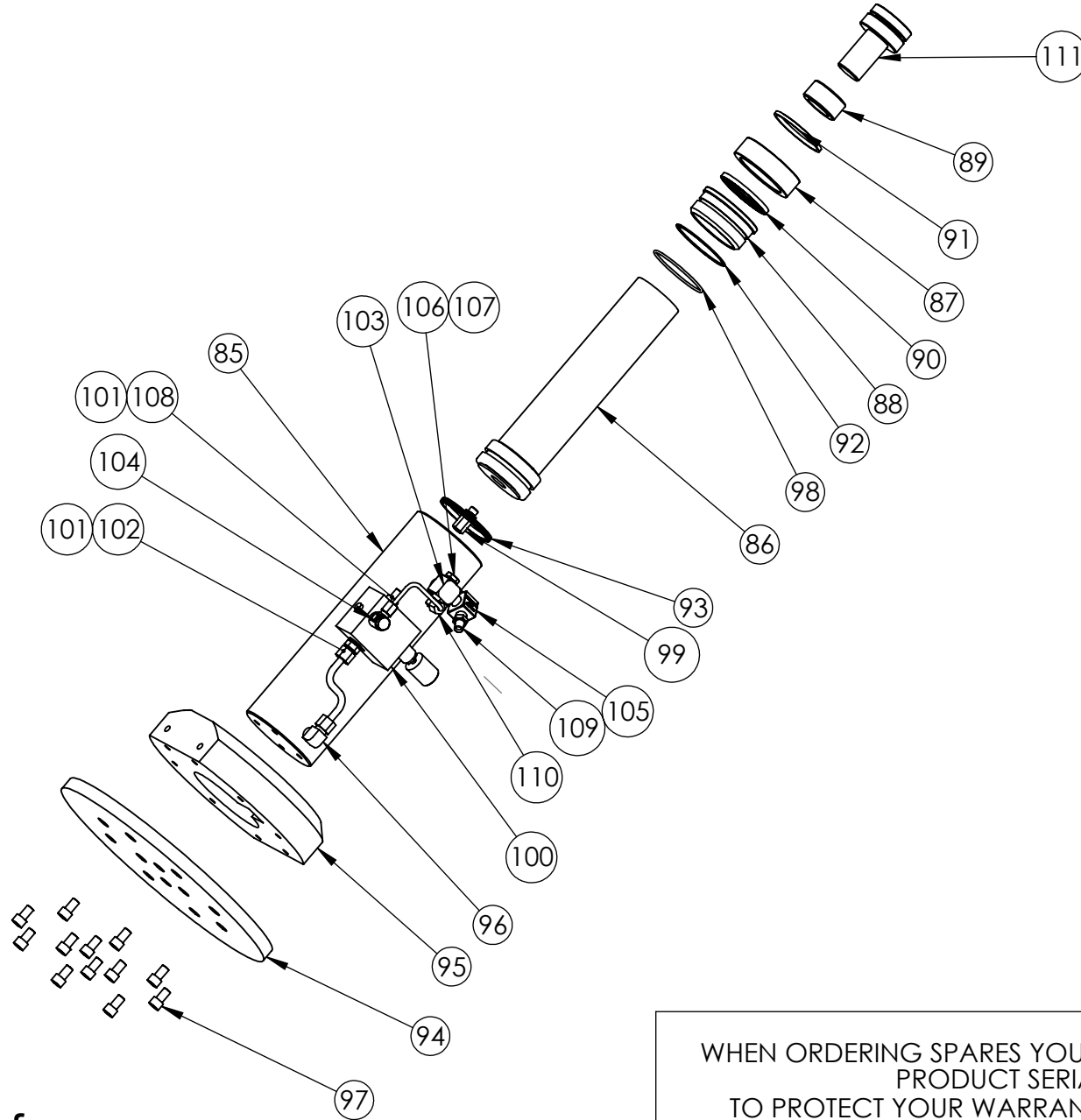
SEAL KITS AVAILABLE:  
CYLINDER ONLY: HDA50TP1-K  
PUMP AND VALVES: TLATP1-K

WHEELS, SEE SHEET 3

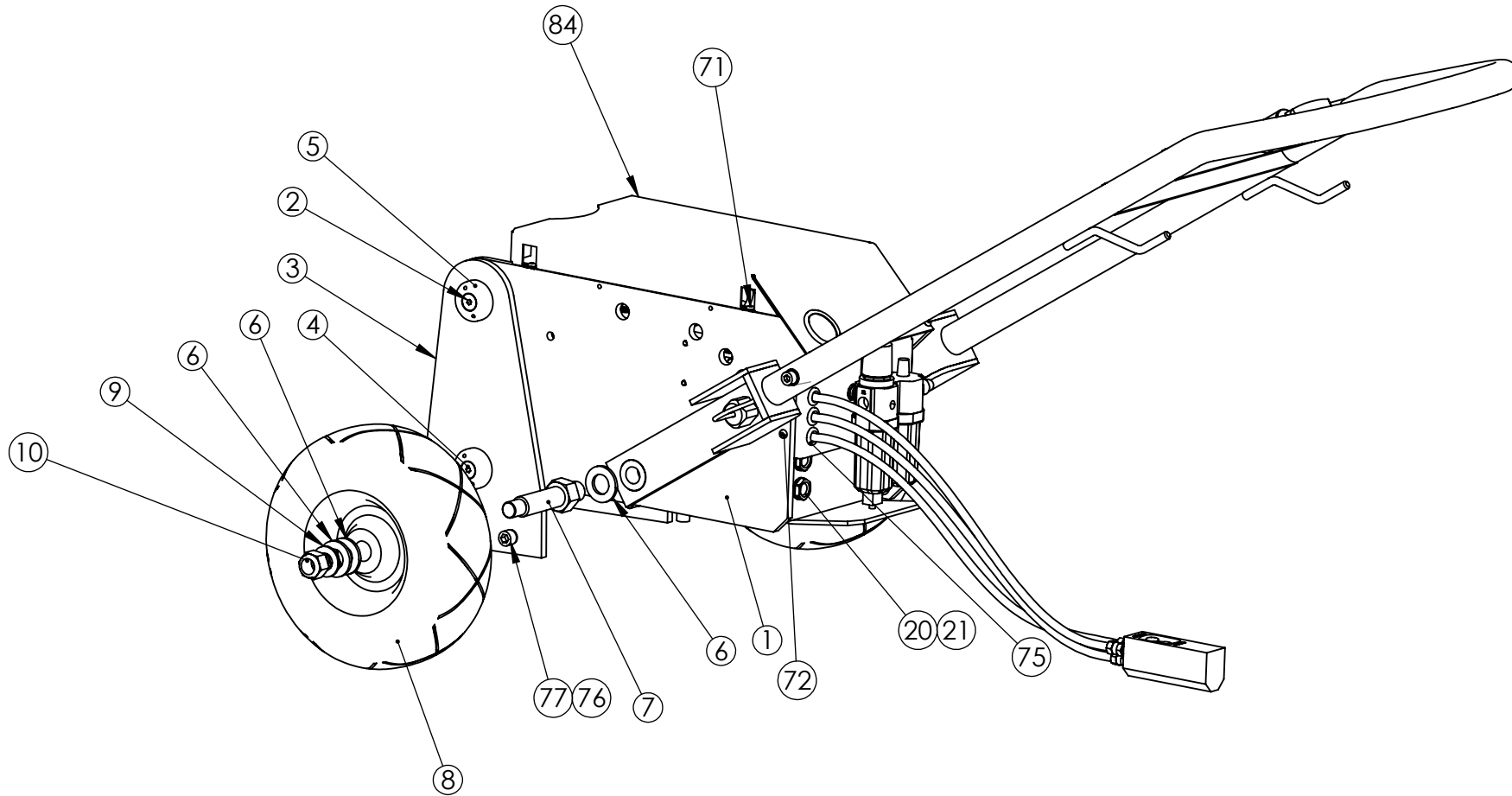


**IMPORTANT**

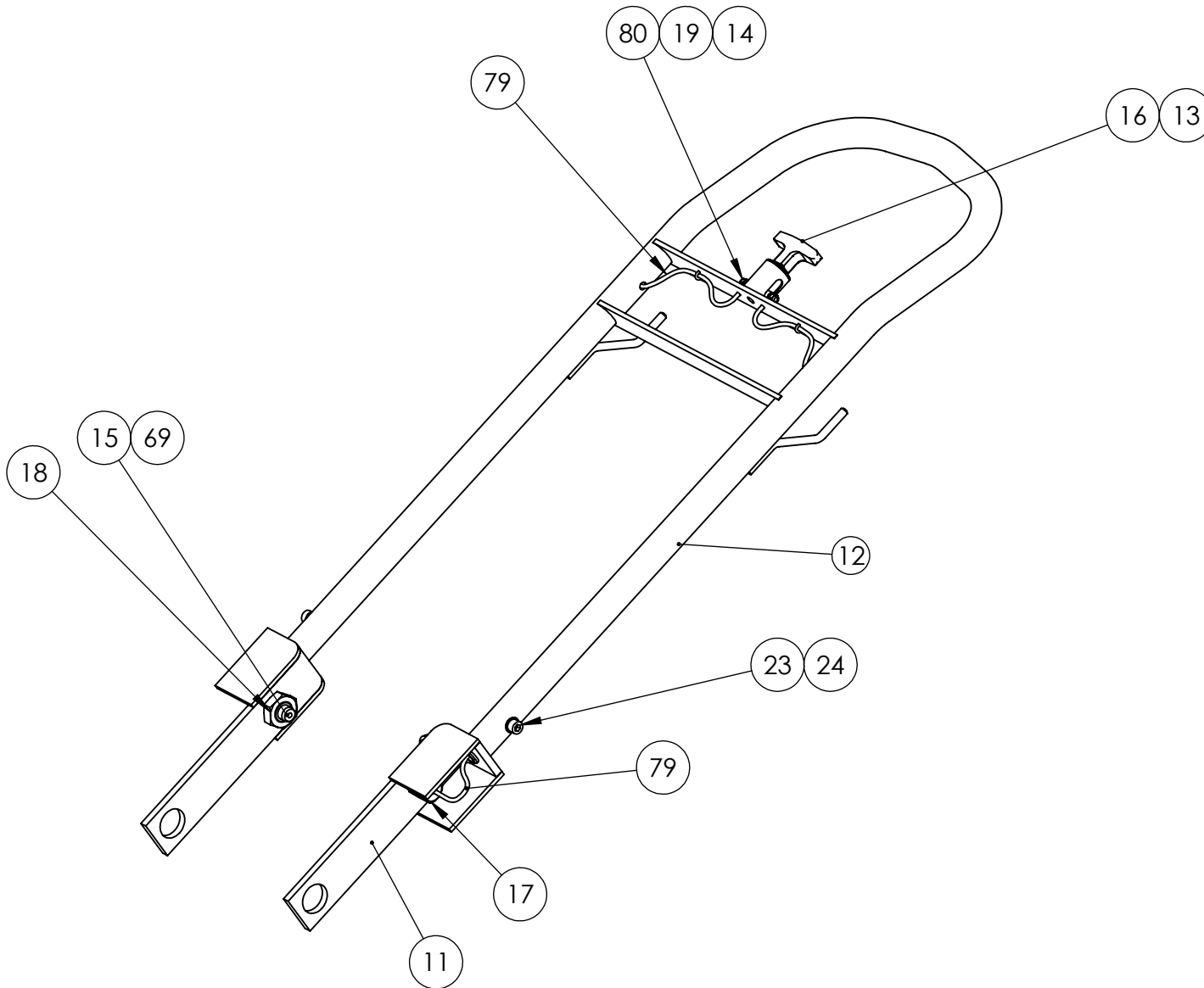
WHEN ORDERING SPARES YOU MUST STATE THE FULL PART NUMBER AND THE PRODUCT SERIAL NUMBER - FROM THE LABEL TO PROTECT YOUR WARRANTY ALWAYS USE GENUINE HI-FORCE PARTS.



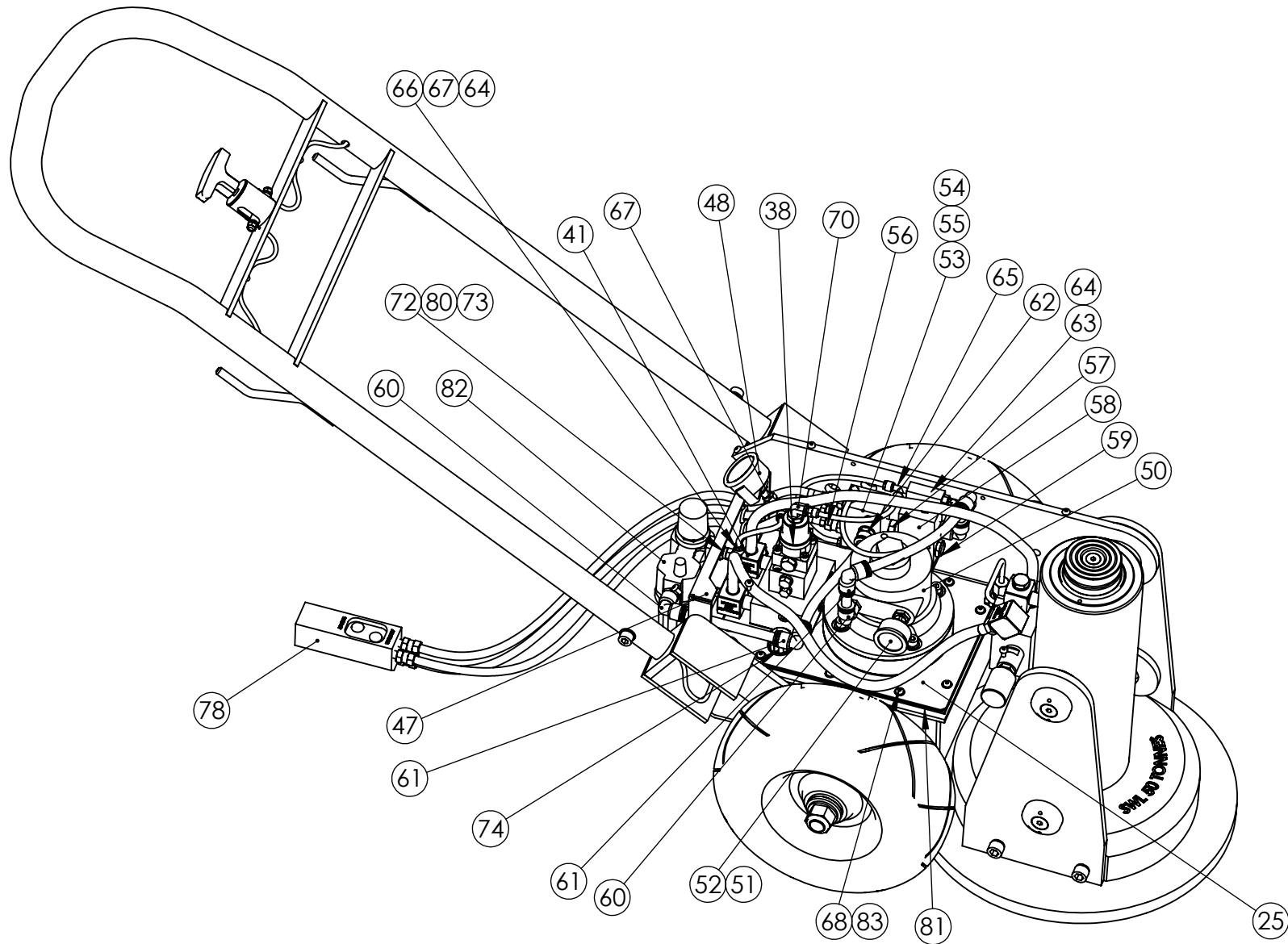
**IMPORTANT**  
WHEN ORDERING SPARES YOU MUST STATE THE FULL PART NUMBER AND THE  
PRODUCT SERIAL NUMBER - FROM THE LABEL  
TO PROTECT YOUR WARRANTY ALWAYS USE GENUINE HI-FORCE PARTS.



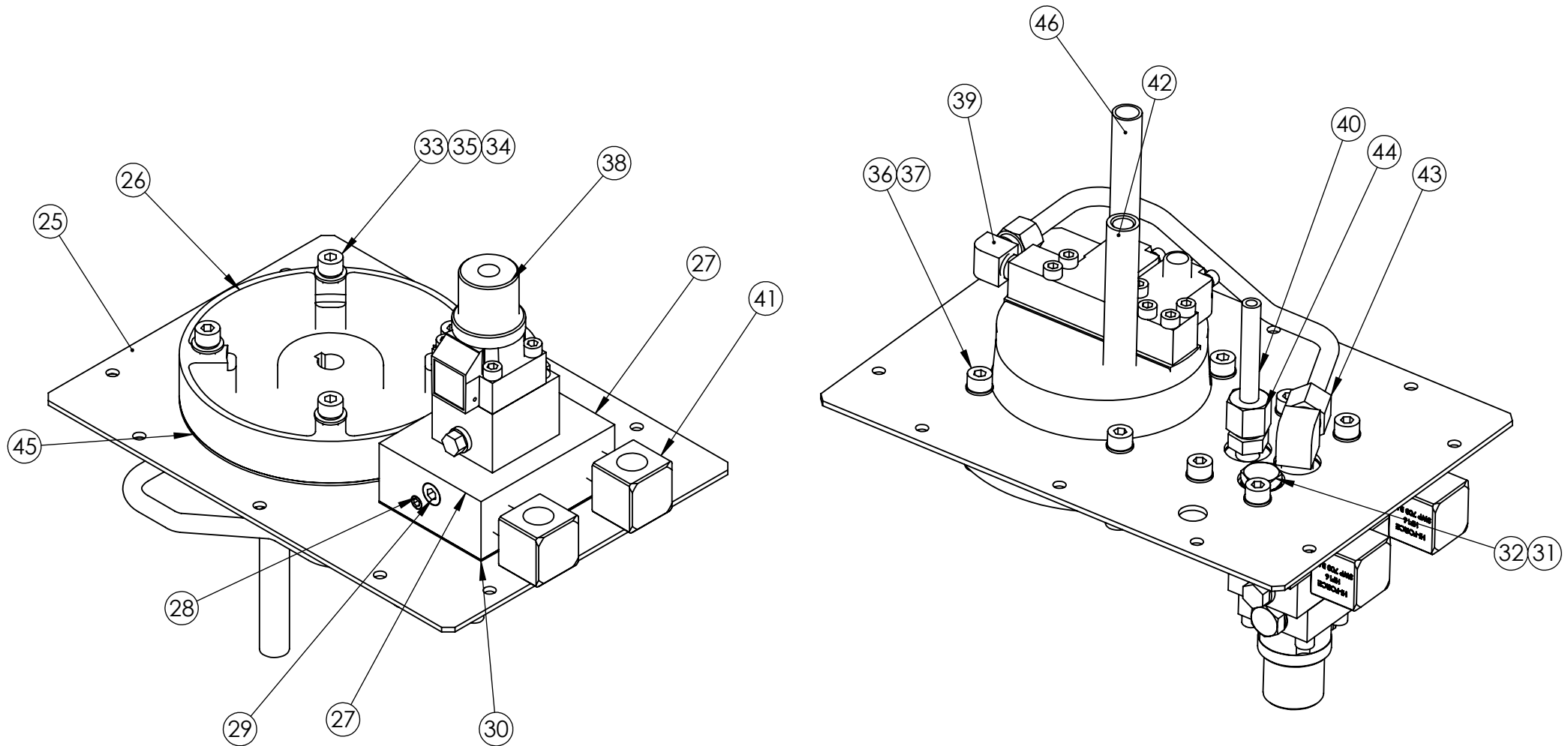
**IMPORTANT**  
WHEN ORDERING SPARES YOU MUST STATE THE FULL PART NUMBER AND THE  
PRODUCT SERIAL NUMBER - FROM THE LABEL  
TO PROTECT YOUR WARRANTY ALWAYS USE GENUINE HI-FORCE PARTS.



**IMPORTANT**  
WHEN ORDERING SPARES YOU MUST STATE THE FULL PART NUMBER AND THE  
PRODUCT SERIAL NUMBER - FROM THE LABEL  
TO PROTECT YOUR WARRANTY ALWAYS USE GENUINE HI-FORCE PARTS.



**IMPORTANT**  
WHEN ORDERING SPARES YOU MUST STATE THE FULL PART NUMBER AND THE  
PRODUCT SERIAL NUMBER - FROM THE LABEL  
TO PROTECT YOUR WARRANTY ALWAYS USE GENUINE HI-FORCE PARTS.



**IMPORTANT**

WHEN ORDERING SPARES YOU MUST STATE THE FULL PART NUMBER AND THE PRODUCT SERIAL NUMBER - FROM THE LABEL TO PROTECT YOUR WARRANTY ALWAYS USE GENUINE HI-FORCE PARTS.

ITEM NO.	PART NUMBER	DESCRIPTION	QTY.
1	SFS300HC001	FRAME WELD ASSY	1
2	SFC060RA001	UPPER PIN	2
3	SFC180JD001	50T PIVOT PLATE	2
4	SFC040RA007	BOTTOM PIN	2
5	NUC024LS001	NUT	4
6	WAC024AB000	PLAIN WASHER	6
7	PCC025AJ001	STUB AXLE	2
8	BSC025WV001	WHEEL 300mm	2
9	WAC020AB000	M20 PL WASHER	2
10	NUC020PC000	NYLOK NUT	2
11	SFS060FC001	HANDLE BRACKET W/ASSY	2
12	HLS038TS002	HANDLE ASSEMBLY	1
13	PCC010AJ001	RELEASE ROD	1
14	PCC012AH001	CABLE CLAMP	1
15	PCC019FH001	LATCH PIN	2
16	HLC010PM001	RELEASE HANDLE	1
17	SFC035RA001	LATCH SLEEVE	2
18	NUC027QB001	THIN NUT	2
19	WAC006AS002	CLAMP WASHER	2
20	BLC021YT010	SIGHT GLASS	2
21	NUC021-B000	THIN NUT	2
22	FPC013PC001	PLUG	1
23	BLC010LD016	SOCKET CAP HD SCREW	2
24	WAC010AB000	PLAIN WASHER	2
25	TAC008BS002	TANK LID	1
26	PMC014CF002	PUMP UNIT	1
27	VFC010RD006	SUB PLATE	1
28	FPC002PN001	PLUG	1

ITEM NO.	PART NUMBER	DESCRIPTION	QTY.
29	FPC006PN001	PLUG	4
30	Z	GASKET	1
31	Z	DOWTY WASHER	1
32	FAS006GJ010	1/4 INCH BLANKING PLUG	1
33	BLC008KD020	SOCKET CAP HD SCREW	4
34	WAC008AB000	M8 WASHER	4
35	WAC008BB000	M8 SPRING WASHER	4
36	X	SOCKET CAP HD SCREW	8
37	Z	DOWTY WASHER	8
38	VFC000CD003	4/2 VALVE	1
39	FPC006DB001	FITTING	1
40	HOC006PS020	TUBE	1
41	HF16	3/8" M/F ELBOW	2
42	TAC000PA005	SUCTION PIPE	1
43	FPC010DN001	STUD ELBOW	1
44	FPC006YN001	STUD COUPLING	1
45	Z	MOTOR GASKET	1
46	HOC015PC003	TUBE	1
47	SFC080HD001	FRL BRACKET	1
48	HG160T	AIR PRESSURE GAUGE	1
49	DCSF00328	MAGNET	1
50	AM3	MOTOR	1
51	AM3-MR	AIR MOTOR MUFFLER REDUCER	1
52	AM3-M	AIR MOTOR MUFFLER	1
53	VFC010BN001	MANIFOLD BLOCK	1
54	WAC006AF000	WASHER	8
55	BLC006JC045	SOCKET CAP HD SCREW	2

ITEMS MARKED X ARE AVAILABLE ONLY IN SERVICE KIT HDA50TP1-K  
 ITEMS MARKED Z ARE AVAILABLE ONLY IN SERVICE KIT TLATP1-K

[www.hi-force.com](http://www.hi-force.com)

**IMPORTANT**

WHEN ORDERING SPARES YOU MUST STATE THE FULL PART NUMBER AND THE PRODUCT SERIAL NUMBER - FROM THE LABEL TO PROTECT YOUR WARRANTY ALWAYS USE GENUINE HI-FORCE PARTS.

ITEM NO.	PART NUMBER	DESCRIPTION	QTY.
56	FPC003AC002	SWIVEL CONNECTOR	3
57	FPC010AN003	ADAPTOR	1
58	VFA013CD002	PILOT OPERATED VALVE	1
59	Z	SILENCER	1
60	FPC010DS001	CONNECTOR	3
61	FPC012DS001	ELBOW	3
62	FPC012WS001	STUD 3/8 BSP TO 12MM PUSH	1
63	VFA003CS002	SHUTTLE VALVE	1
64	FPC003NC001	NIPPLE	2
65	FPC010UM001	TEE	1
66	FPC010DM001	STUD ELBOW (AIR)	5
67	FPC003AC001	SOCKET	2
68	BLC005HH016	BUTTON HEAD SCREW	10
69	SPC009CC001	SPRING	2
70	FPC006DR001	SWIVEL ELBOW	1
71	BLC005HH010	BUTTON HEAD SCREW	6
72	BLC006JH020	BUTTON HEAD SCREW	6
73	WAC006BC001	SPRING WASHER	2
74	BPC010SP002	FILLER	1
75	Z	GROMMET	3
76	WAC012BB000	M8 SPRING WASHER	4
77	BLC012MD030	M12 X 30MM BOLT	4
78	MCC000AC002	HOSE AND PENDANT ASSEY	1
79	Z	CABLE ASSY	2
80	NUC006JC000	NYLOK NUT	8

ITEM NO.	PART NUMBER	DESCRIPTION	QTY.
81	Z	TANK GASKET	1
82	MCC000AF005	FRL UNIT	1
83	WAC006EB000	WASHER	10
84	SFC252HD001	TOP COVER (050A255)	1
85	CBC095AM002	CYLINDER	1
86	PRC095VH001	PISTON	1
87	SRC079WJ001	STOP RING	1
88	SSC095EA001	SEAL RETAINER	1
89	ADC050PA001	ADAPTOR	1
90	X	ROD SEAL	1
91	X	WIPER	1
92	X	BACK UP RING	1
93	X	PISTON SEAL	1
94	ADC050BC001	BASE PLATE	1
95	ADC050BC002	INTERMEDIATE PLATE	1
96	FPC010DN001	STUD ELBOW	1
97	BLC012MD020	SOCKET CAP HD SCREW	12
98	X	O - RING	1
99	VRA700AF002	RELIEF VALVE	1
100	VFA006NV001	LOWERING VALVE	1
101	Z	DOWTY WASHER	2
102	FPC010YB001	STUD COUPLING	1
103	FPC010FZ003	ELBOW FITTING	1
104	FPC006QB002	6MM BANJO	1
105	HF16	3/8" M/F ELBOW	1
106	FAS006GJ010	1/4 INCH BLANKING PLUG	1
107	Z	DOWTY WASHER	1
108	FPC010NB001	REDUCER	1
109	FPC010NB002	REDUCER	1
110	FPC006DN001	COMPRESSION ELBOW	1
111	TLS50	TILTING SADDLE	1

ITEMS MARKED X ARE AVAILABLE ONLY IN SERVICE KIT HDA50TP1-K  
 ITEMS MARKED Z ARE AVAILABLE ONLY IN SERVICE KIT TLATP1-K