

50 TONNE TOUGHLIFT CYLINDER

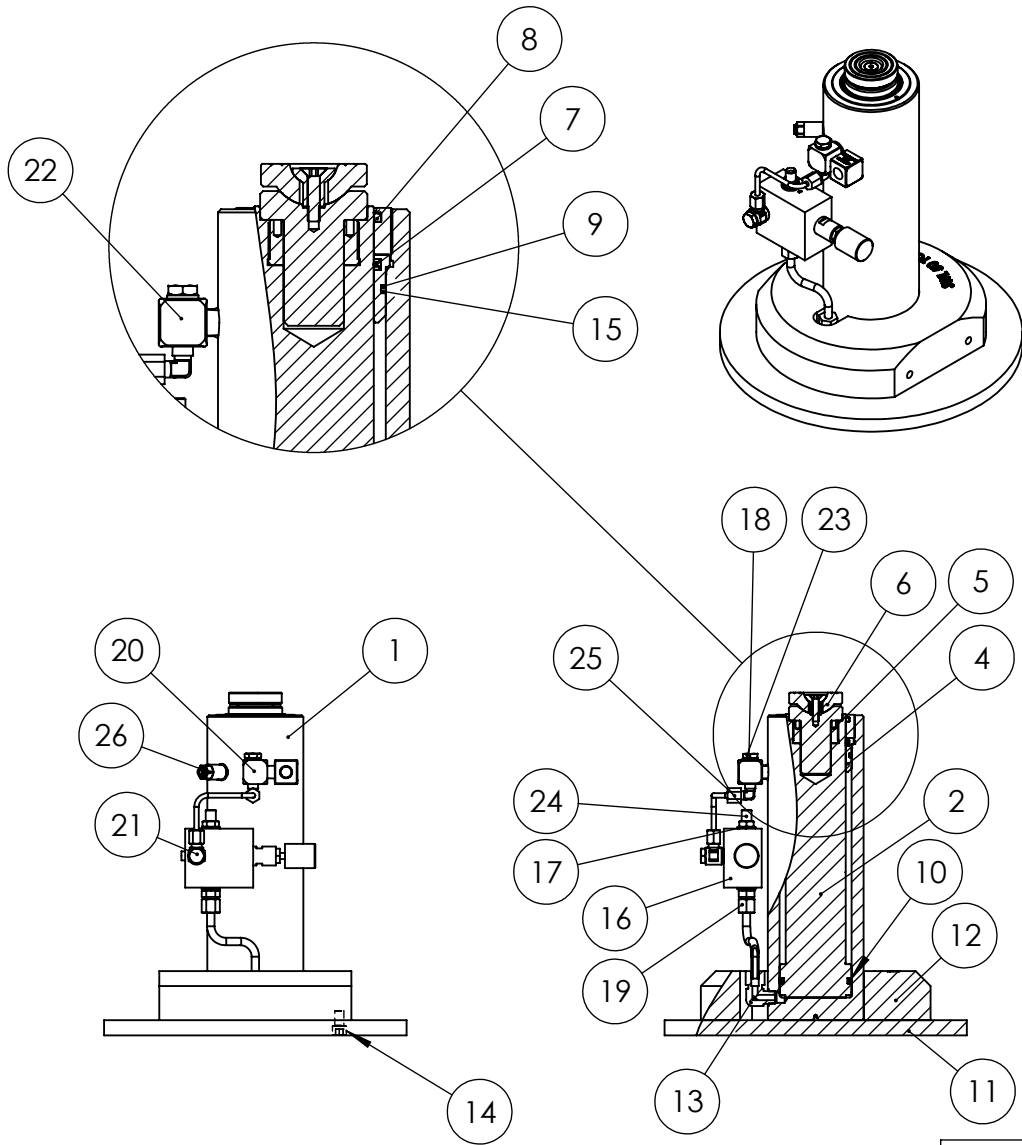
SERIAL NUMBERS

FROM BQ3491

SPARE PARTS LIST NO.

HDA5010TL

SHT 1 OF 1 SHTS



ITEM NO.	PART NUMBER	DESCRIPTION	QTY.
1	CBC095AM003	CYLINDER	1
2	PRC095DM004	PISTON	1
3	SRC079WJ001	STOP RING	1
4	SSC095EA001	SEAL RETAINER	1
5	ADC050PA001	ADAPTOR	1
6	TLS50	SADDLE ASSEMBLY	1
7	X	ROD SEAL	1
8	X	WIPER	1
9	X	BACK UP RING	1
10	X	PISTON SEAL	1
11	ADC050BC001	BASE PLATE	1
12	ADC050BC002	INTERMEDIATE PLATE	1
13	FPC010DN001	MALE STUD ELBOW	1
14	BLC012MD020	SOCKET CAP HD SCREW	12
15	X	O-RING	1
16	VFA006NV001	LOWERING VALVE	1
17	WAC010HD000	DOWTY WASHER	2
18	WAC007HD000	1/4" BSP SELF CENTERING BONDED WASHER	1
19	FPC010YB001	STUD COUPLING	1
20	FPC010FZ003	ELBOW FITTING	1
21	FPC006QB002	6MM BANJO	1
22	HF16	PLUG	1
23	FAS006GJ010	1/4" BSP HEX HEAD BLANKING PLUG	1
24	FPC010NB001	REDUCER	1
25	FPC006DN001	COMPRESSION ELBOW	1
26	VRA001AF002	RELIEF VALVE	1

REVISION	
1	
2	5682
3	
4	
5	
6	
7	
8	
9	
10	
11	
12	
13	
14	
15	
16	
17	
18	
19	
20	

NOTE:
PARTS MARKED 'X' ARE PART OF
REPAIR KIT HDA50TP1-K

IMPORTANT
WHEN ORDERING SPARES YOU MUST STATE THE FULL PART NUMBER AND THE
PRODUCT SERIAL NUMBER - FROM THE LABEL
TO PROTECT YOUR WARRANTY ALWAYS USE GENUINE HI-FORCE PARTS.

50 TONNE TOUGHLIFT CYLINDER

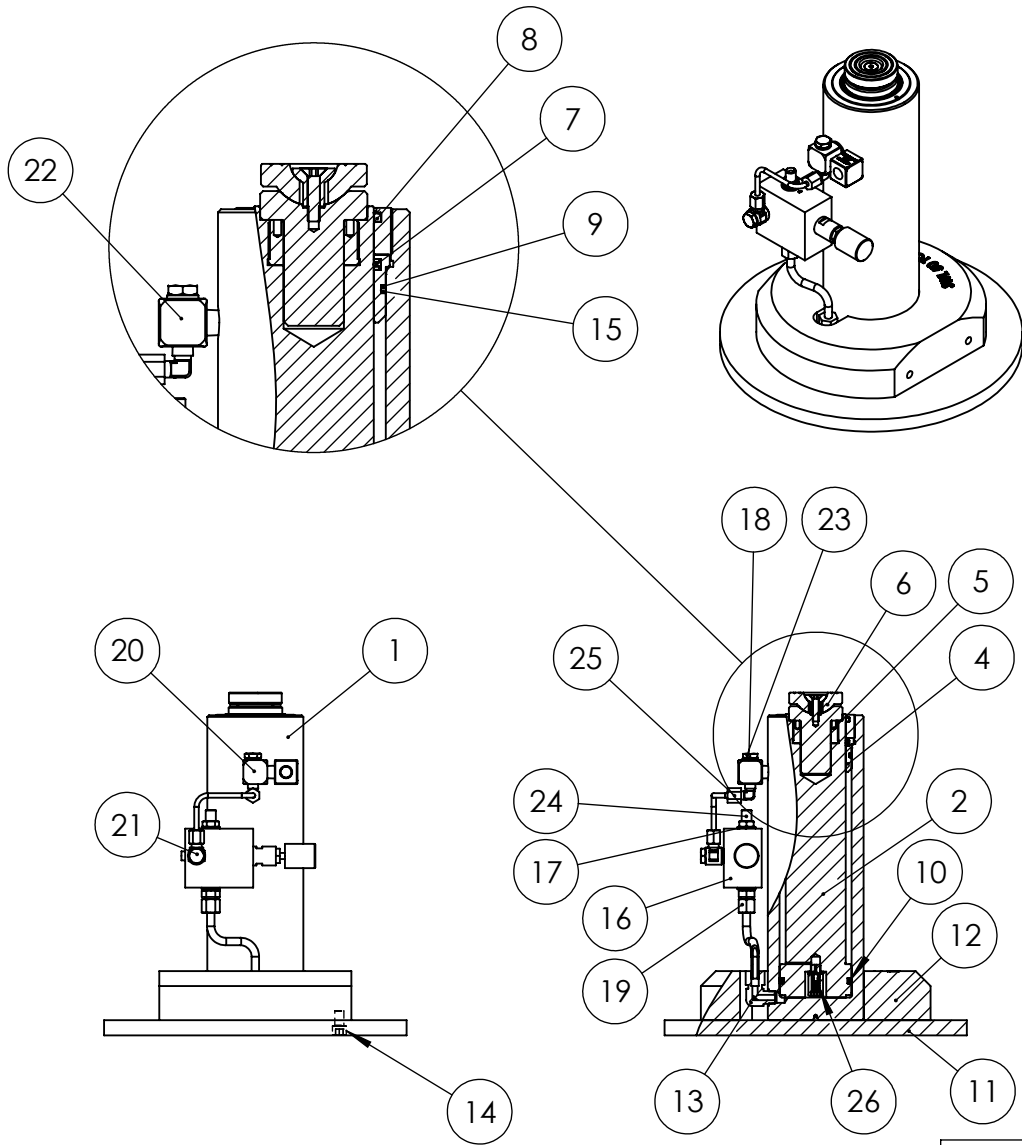
SERIAL NUMBERS

UP TO BQ3491

SPARE PARTS LIST NO.

HDA5010TL

SHT 1 OF 1 SHTS



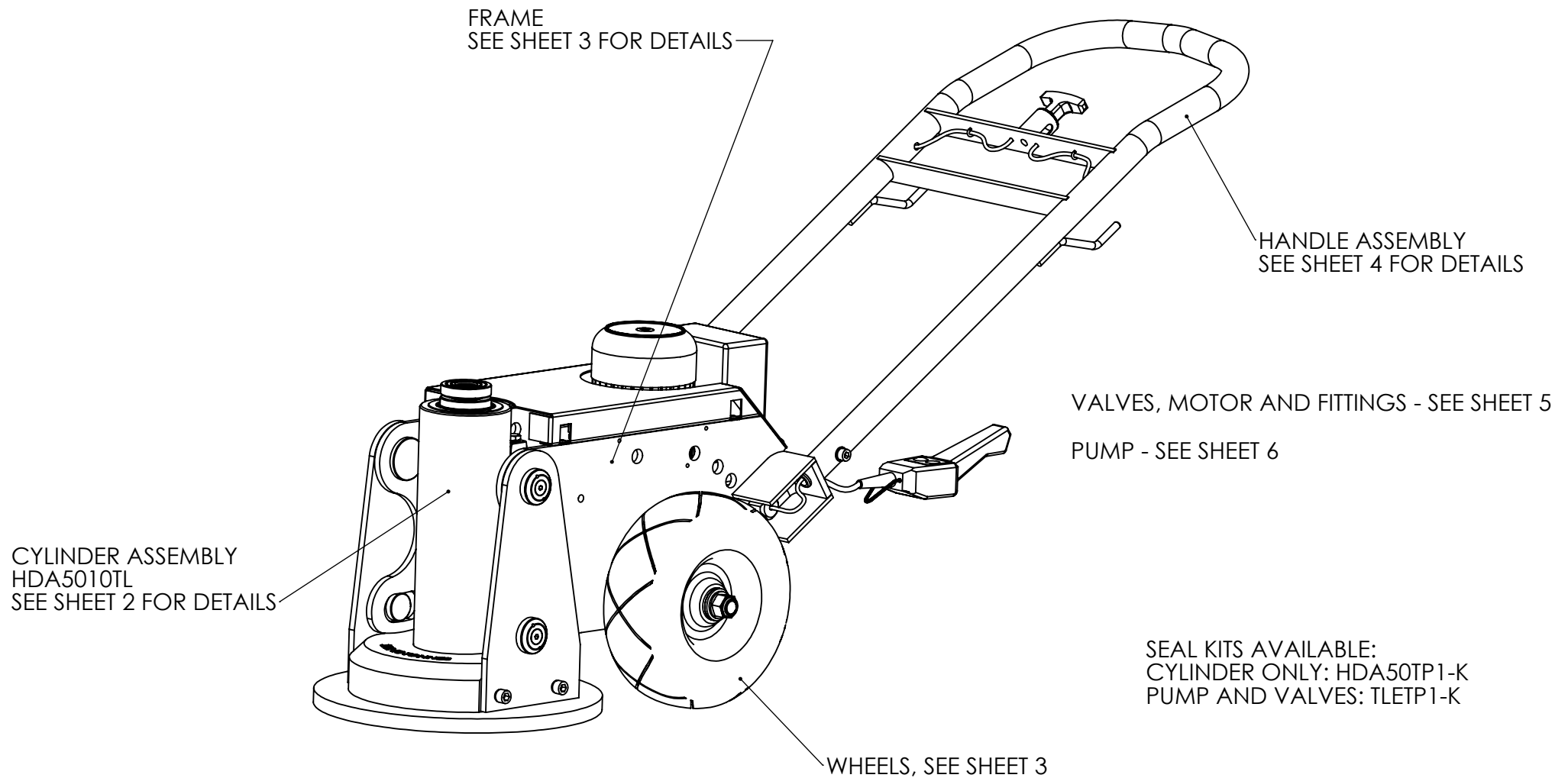
ITEM NO.	PART NUMBER	DESCRIPTION	QTY.
1	CBC095AM002	CYLINDER	1
2	PRC095DM002	PISTON	1
3	SRC079WJ001	STOP RING	1
4	SSC095EA001	SEAL RETAINER	1
5	ADC050PA001	ADAPTOR	1
6	TLS50	SADDLE ASSEMBLY	1
7	X	ROD SEAL	1
8	X	WIPER	1
9	X	BACK UP RING	1
10	X	PISTON SEAL	1
11	ADC050BC001	BASE PLATE	1
12	ADC050BC002	INTERMEDIATE PLATE	1
13	FPC010DN001	MALE STUD ELBOW	1
14	BLC012MD020	SOCKET CAP HD SCREW	12
15	X	O-RING	1
16	VFA006NV001	LOWERING VALVE	1
17	WAC010HD000	DOWTY WASHER	2
18	WAC007HD000	1/4" BSP SELF CENTERING BONDED WASHER	1
19	FPC010YB001	STUD COUPLING	1
20	FPC010FZ003	ELBOW FITTING	1
21	FPC006QB002	6MM BANJO	1
22	HF16	PLUG	1
23	FAS006GJ010	1/4" BSP HEX HEAD BLANKING PLUG	1
24	FPC010NB001	REDUCER	1
25	FPC006DN001	COMPRESSION ELBOW	1
26	VRA700AF002	RELIEF VALVE	1

REVISION
1
2
3
4
5
6
7
8
9
10
11
12
13
14
15
16
17
18
19
20

NOTE:
PARTS MARKED 'X' ARE PART OF
REPAIR KIT HDA50TP1-K

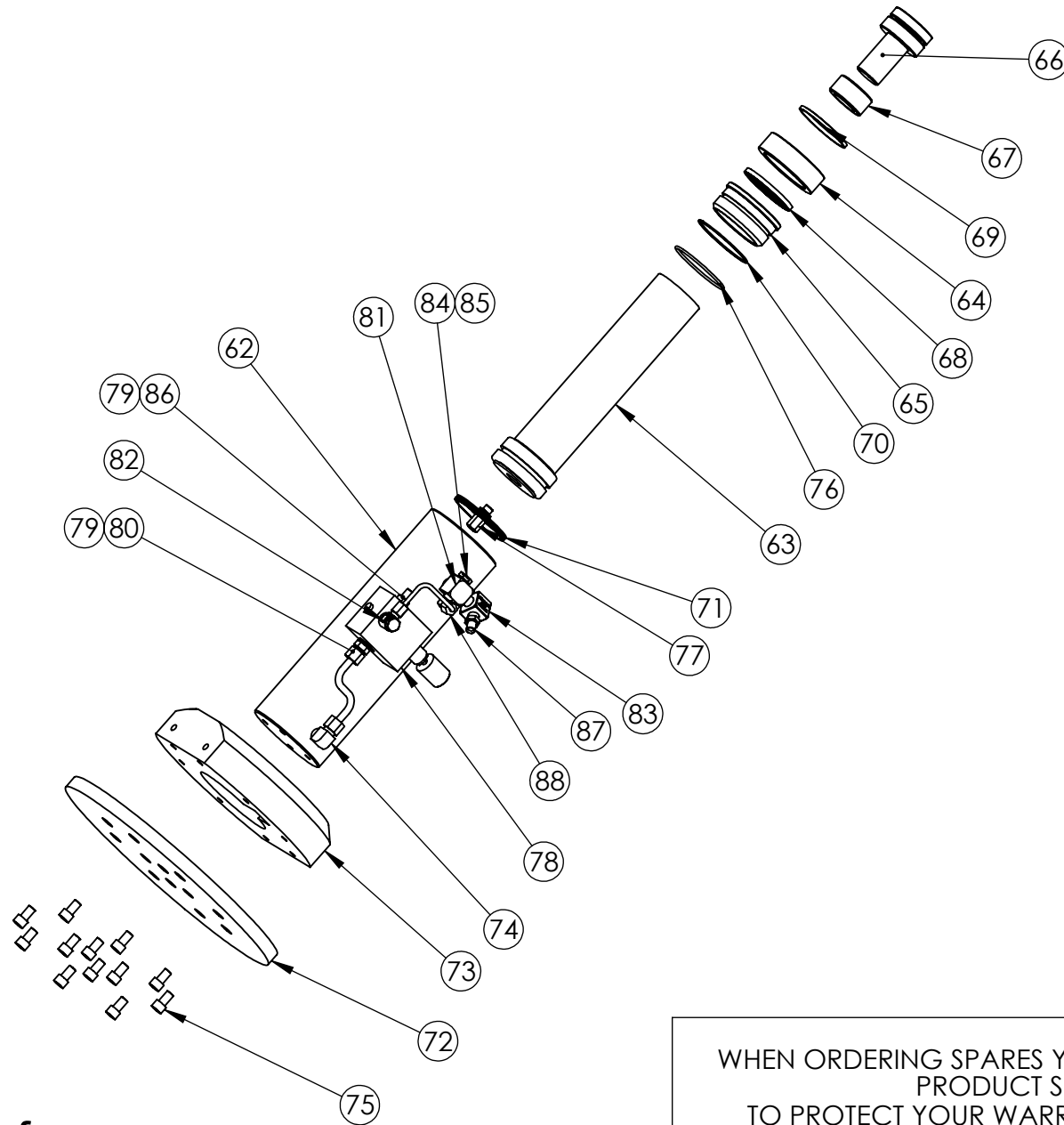
IMPORTANT

WHEN ORDERING SPARES YOU MUST STATE THE FULL PART NUMBER AND THE PRODUCT SERIAL NUMBER - FROM THE LABEL TO PROTECT YOUR WARRANTY ALWAYS USE GENUINE HI-FORCE PARTS.

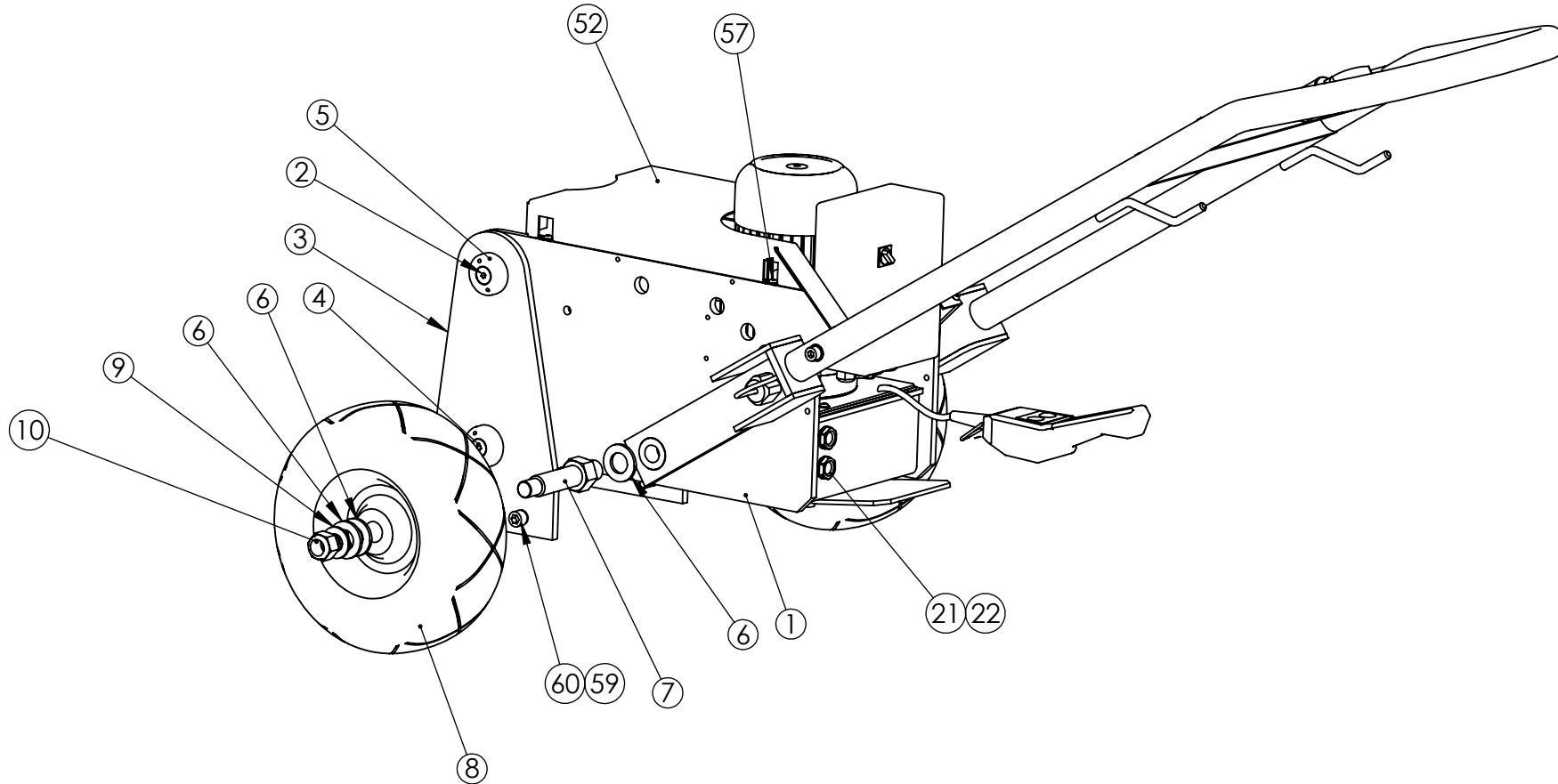


IMPORTANT

WHEN ORDERING SPARES YOU MUST STATE THE FULL PART NUMBER AND THE PRODUCT SERIAL NUMBER - FROM THE LABEL TO PROTECT YOUR WARRANTY ALWAYS USE GENUINE HI-FORCE PARTS.

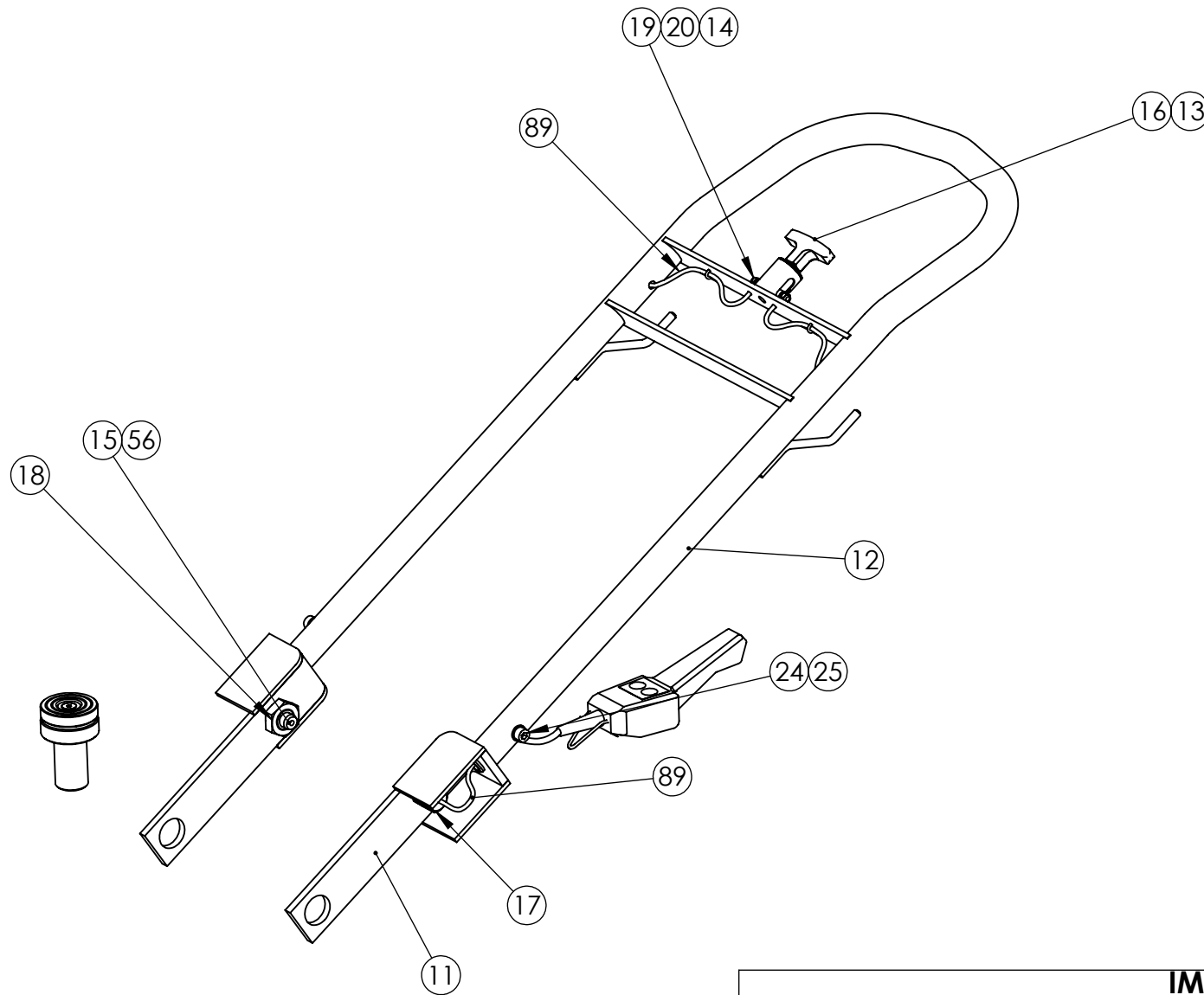


IMPORTANT
WHEN ORDERING SPARES YOU MUST STATE THE FULL PART NUMBER AND THE
PRODUCT SERIAL NUMBER - FROM THE LABEL
TO PROTECT YOUR WARRANTY ALWAYS USE GENUINE HI-FORCE PARTS.

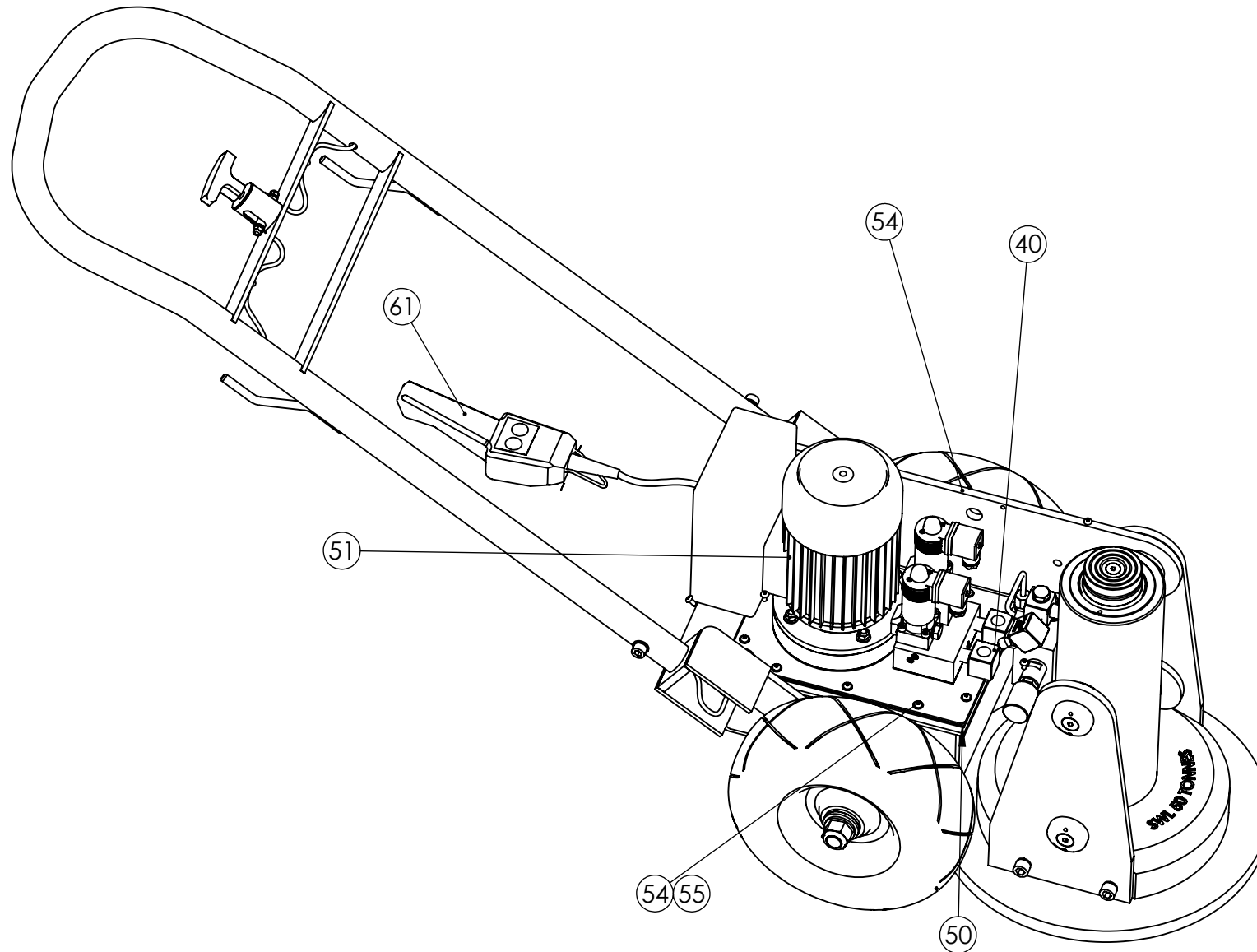


IMPORTANT

WHEN ORDERING SPARES YOU MUST STATE THE FULL PART NUMBER AND THE PRODUCT SERIAL NUMBER - FROM THE LABEL TO PROTECT YOUR WARRANTY ALWAYS USE GENUINE HI-FORCE PARTS.

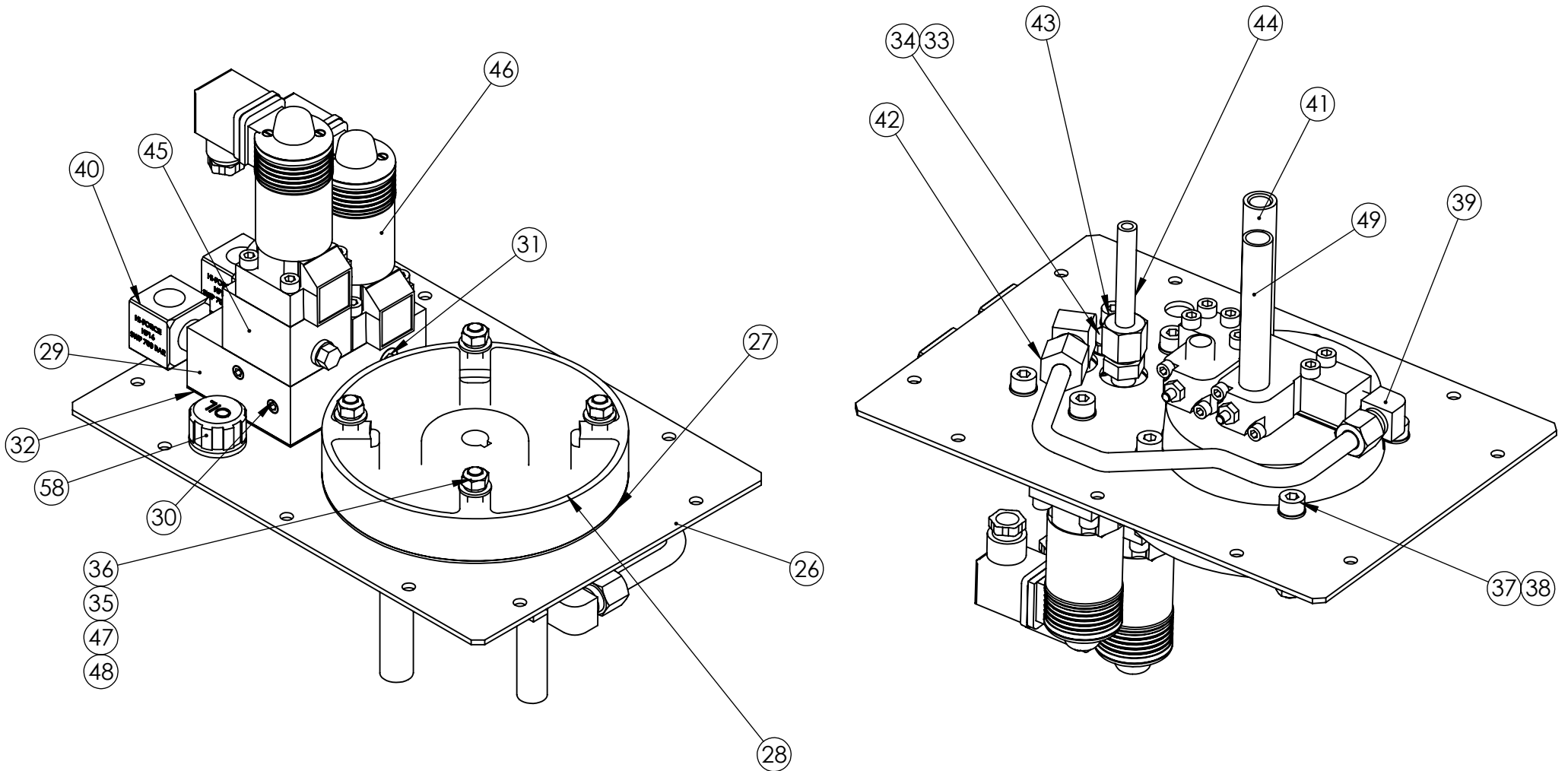


IMPORTANT
WHEN ORDERING SPARES YOU MUST STATE THE FULL PART NUMBER AND THE
PRODUCT SERIAL NUMBER - FROM THE LABEL
TO PROTECT YOUR WARRANTY ALWAYS USE GENUINE HI-FORCE PARTS.



IMPORTANT

WHEN ORDERING SPARES YOU MUST STATE THE FULL PART NUMBER AND THE PRODUCT SERIAL NUMBER - FROM THE LABEL TO PROTECT YOUR WARRANTY ALWAYS USE GENUINE HI-FORCE PARTS.



IMPORTANT

WHEN ORDERING SPARES YOU MUST STATE THE FULL PART NUMBER AND THE PRODUCT SERIAL NUMBER - FROM THE LABEL TO PROTECT YOUR WARRANTY ALWAYS USE GENUINE HI-FORCE PARTS.

ITEM NO.	PART NUMBER	DESCRIPTION	QTY.
1	SFS300HC001	FRAME WELD ASSY	1
2	SFC060RA001	UPPER PIN	2
3	SFC180JD001	50T PIVOT PLATE	2
4	SFC040RA007	BOTTOM PIN	2
5	NUC024LS001	NUT	4
6	WAC024AB000	PLAIN WASHER	6
7	PCC025AJ001	STUB AXLE	2
8	BSC025WV001	WHEEL 300mm	2
9	WAC020AB000	M20 PL WASHER	2
10	NUC020PC000	NYLOK NUT	2
11	SFS060FC001	HANDLE BRACKET W/ASSY	2
12	HLS038TS002	HANDLE ASSEMBLY	1
13	PCC010AJ001	RELEASE ROD	1
14	PCC012AH001	CABLE CLAMP	1
15	PCC019FH001	LATCH PIN	2
16	HLC010PM001	RELEASE HANDLE	1
17	SFC035RA001	LATCH SLEEVE	2
18	NUC027QB001	THIN NUT	2
19	NUC006JC000	NYLOK NUT	2
20	WAC006AS002	CLAMP WASHER	2
21	BLC021YT010	SIGHT GLASS	2
22	NUC021-B000	THIN NUT	2
23	FPC013PC001	PLUG	1
24	BLC010LD016	SOCKET CAP HD SCREW	2
25	WAC010AB000	PLAIN WASHER	2
26	TAC008BS002	TANK LID	1
27	SEC130KF001	MOTOR GASKET	1

ITEM NO.	PART NUMBER	DESCRIPTION	QTY.
28	PMC014CF002	PUMP UNIT	1
29	VFC010RD007	SUB PLATE	1
30	FPC002PN001	PLUG	6
31	FPC006PN001	PLUG	1
32	SEC001KT004	GASKET	1
33	WAC007HD000	DOWTY WASHER	1
34	FAS006GJ010	1/4 INCH BLANKING PLUG	1
35	WAC008AB000	M8 WASHER	4
36	WAC008BB000	M8 SPRING WASHER	4
37	BLC008KD016	SOCKET CAP HD SCREW	8
38	WAC008KD000	DOWTY WASHER	8
39	FPC006DB001	FITTING	1
40	HF16	3/8" M/F ELBOW	2
41	TAC000PA005	SUCTION PIPE	1
42	FPC010DN001	STUD ELBOW	1
43	FPC006YN001	STUD COUPLING	1
44	HOC006PS020	TUBE	1
45	VFC000CD008	4/2 VALVE ASSY	1
46	VFC000CD005	2/2 VALVE	1
47	BLC008ST000	M8X35MM ENGINEERING STUD	4
48	NUC008KA000	NUT	4
49	HOC015PC003	TUBE	1
50	SEC002KT008	TANK GASKET	1
51	EM240-0.55-4T	MOTOR	1
52	SFC252HD002	TOP COVER (050E255)	1

ITEMS MARKED X ARE AVAILABLE ONLY IN SERVICE KIT HDA50TP1-K
 ITEMS MARKED Z ARE AVAILABLE ONLY IN SERVICE KIT TLATP1-K

www.hi-force.com

IMPORTANT

WHEN ORDERING SPARES YOU MUST STATE THE FULL PART NUMBER AND THE
 PRODUCT SERIAL NUMBER - FROM THE LABEL
 TO PROTECT YOUR WARRANTY ALWAYS USE GENUINE HI-FORCE PARTS.

ITEM NO.	PART NUMBER	DESCRIPTION	QTY.
53	DCSF00328	MAGNET	1
54	BLC005HH016	BUTTON HEAD SCREW	10
55	WAC006EB000	WASHER	10
56	SPC009CC001	SPRING	2
57	BLC005HH010	BUTTON HEAD SCREW	6
58	BPC010SP002	FILLER	1
59	WAC012BB000	M8 SPRING WASHER	4
60	BLC012MD030	M12 X 30MM BOLT	4
61	EMC000VZ002	HAND PENDANT	1
62	CBC095AM002	CYLINDER	1
63	PRC095VH001	PISTON	1
64	SRC079WJ001	STOP RING	1
65	SSC095EA001	SEAL RETAINER	1
66	TLS50	TILTING SADDLE	1
67	ADC050PA001	ADAPTOR	1
68	X	ROD SEAL	1
69	X	WIPER	1
70	X	BACK UP RING	1
71	X	PISTON SEAL	1
72	ADC050BC001	BASE PLATE	1
73	ADC050BC002	INTERMEDIATE PLATE	1
74	FPC010DN001	STUD ELBOW	1
75	BLC012MD020	SOCKET CAP HD SCREW	12
76	X	O - RING	1
77	VRA700AF002	RELIEF VALVE	1
78	VFA006NV001	LOWERING VALVE	1
79	Z	DOWTY WASHER	2
80	FPC010YB001	STUD COUPLING	1

ITEM NO.	PART NUMBER	DESCRIPTION	QTY.
81	FPC010FZ003	ELBOW FITTING	1
82	FPC006QB002	6MM BANJO	1
83	HF16	3/8" M/F ELBOW	1
84	FAS006GJ010	1/4 INCH BLANKING PLUG	1
85	Z	DOWTY WASHER	1
86	FPC010NB001	REDUCER	1
87	FPC010NB002	REDUCER	1
88	FPC006DN001	COMPRESSION ELBOW	1
89	Z	CABLE ASSY	2
90	HH0.4TL	CYLINDER HOSES (NOT SHOWN)	1

ITEMS MARKED X ARE AVAILABLE ONLY IN SERVICE KIT HDA50TP1-K
 ITEMS MARKED Z ARE AVAILABLE ONLY IN SERVICE KIT TLETP1-K