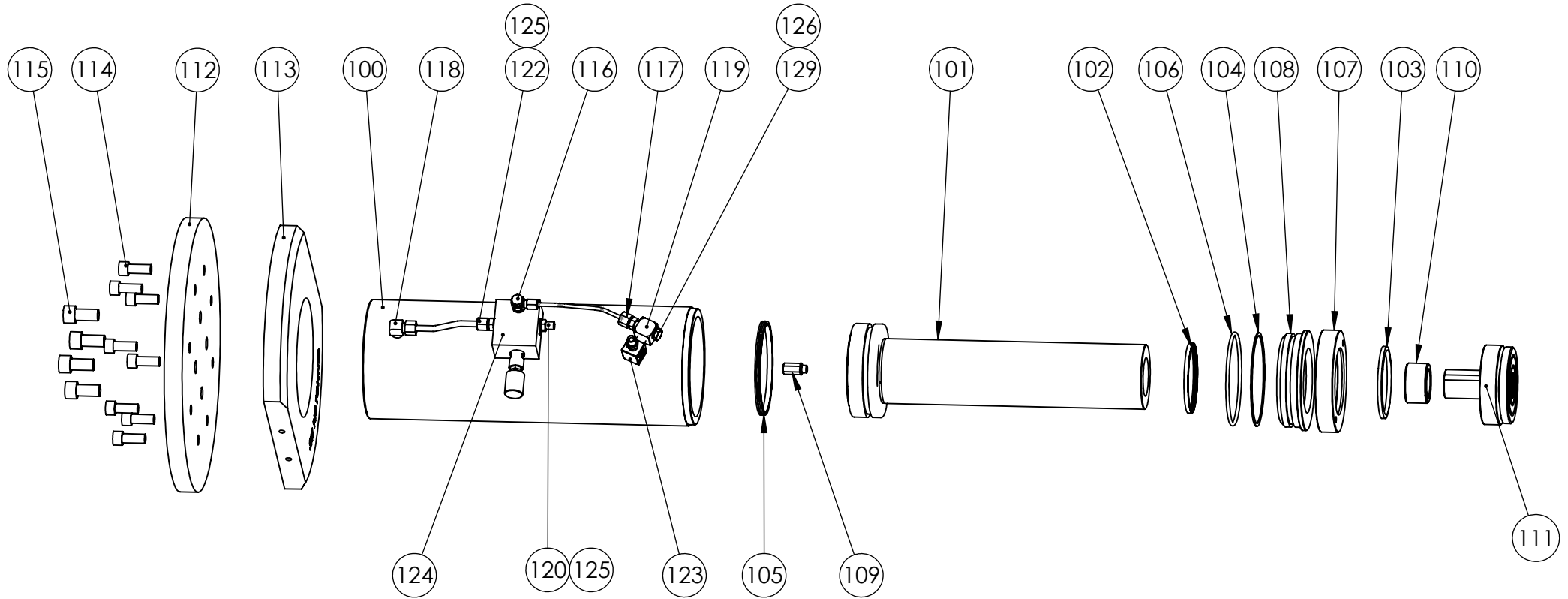


| MODEL NO. | CYLINDER PARTS SHEET | CYLINDER SEAL KIT | COVER |
|-----------|----------------------|-------------------|-------------|
| TL100E405 | HDA10016TLP1 | HDA100TP1-K | SFC348HE008 |
| TL100E530 | HDA10021TLP1 | HDA100TP1-K | SFS348HE010 |
| TL150E390 | HDA15015TLP1 | HDA150TP1-K | SFC348HE006 |
| TL150E520 | HDA15020TLP1 | HDA150TP1-K | SFS348HE007 |
| TL200E380 | HDA20015TLP1 | HDA200TP1-K | SFC348HE005 |

VALVES MOTOR AND FITTINGS SEE SHEET 4

SEAL KITS AVAILABLE:
CYLINDER ONLY: SEE TABLE
PUMP AND VALVES: TLETP1-K

IMPORTANT
WHEN ORDERING SPARES YOU MUST STATE THE FULL PART NUMBER AND THE
PRODUCT SERIAL NUMBER - FROM THE LABEL
TO PROTECT YOUR WARRANTY ALWAYS USE GENUINE HI-FORCE PARTS.



IMPORTANT
WHEN ORDERING SPARES YOU MUST STATE THE FULL PART NUMBER AND THE
PRODUCT SERIAL NUMBER - FROM THE LABEL
TO PROTECT YOUR WARRANTY ALWAYS USE GENUINE HI-FORCE PARTS.

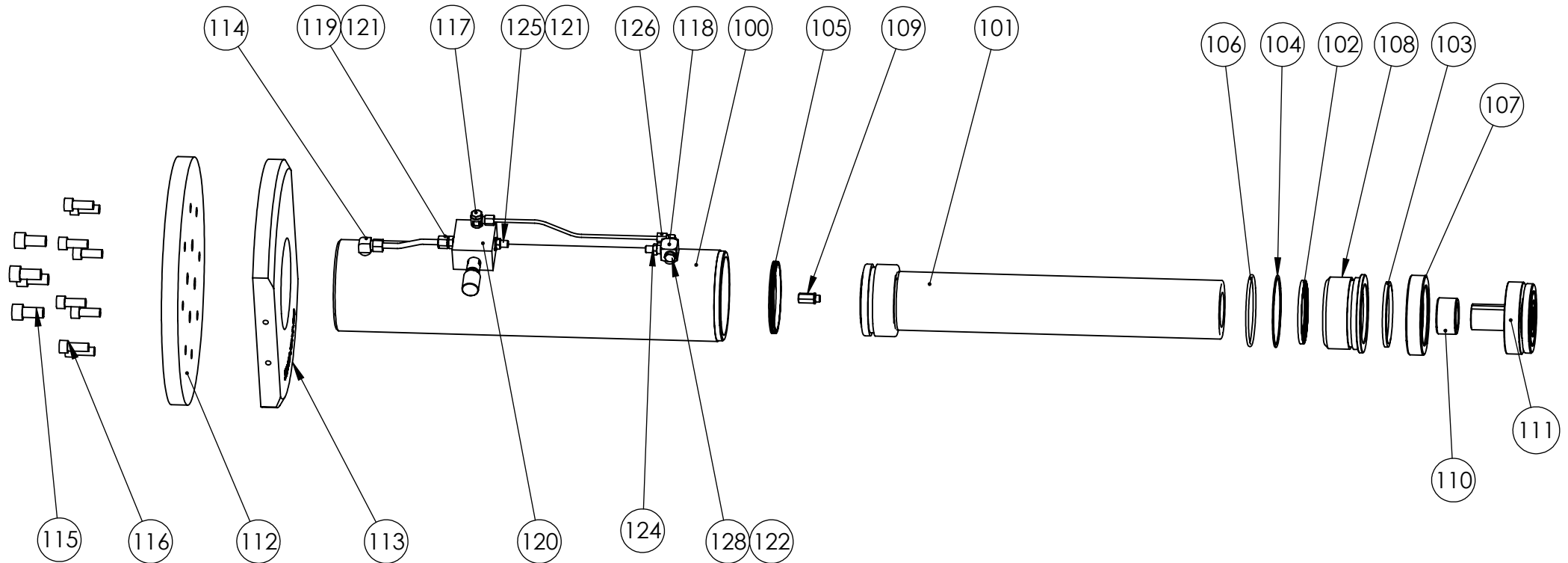
| ITEM NO. | PART NUMBER | DESCRIPTION | QTY. |
|----------|-------------|---------------------|------|
| 100 | CBC165AP001 | CYLINDER | 1 |
| 101 | PRC165VP001 | PISTON. | 1 |
| 102 | X | ROD SEAL | 1 |
| 103 | X | WIPER | 1 |
| 104 | X | BACK UP RING | 1 |
| 105 | X | PISTON SEAL | 1 |
| 106 | X | O - RING | 1 |
| 107 | SRC114WQ002 | STOP RING | 1 |
| 108 | SSC165EA001 | SEAL RETAINER. | 1 |
| 109 | VRA700AF002 | RELIEF VALVE | 1 |
| 110 | ADC150PA001 | ADAPTOR | 1 |
| 111 | TLS150 | TILTING SADDLE | 1 |
| 112 | ADC200BC001 | BASE PLATE | 1 |
| 113 | ADC150BC001 | INTERMEDIATE PLATE | 1 |
| 114 | BLC016ND040 | SOCKET CAP HD SCREW | 8 |
| 115 | BLC020PC040 | SOCKET CAP HD SCREW | 4 |
| 116 | FPC006QB002 | 6MM BANJO | 1 |
| 117 | FPC006YN002 | STUD COUPLING | 1 |

| ITEM NO. | PART NUMBER | DESCRIPTION | QTY. |
|----------|-------------|------------------------|------|
| 118 | FPC010DN001 | STUD ELBOW | 1 |
| 119 | FPC010FZ003 | ELBOW FITTING | 1 |
| 120 | FPC010NB001 | REDUCER | 1 |
| 121 | FPC010NB002 | REDUCER | 1 |
| 122 | FPC010YB001 | STUD COUPLING | 1 |
| 123 | FPC010FZ002 | 3/8" M/F ELBOW | 1 |
| 124 | VFA006NV001 | LOWERING VALVE | 1 |
| 125 | WAC010HD000 | DOWTY WASHER | 2 |
| 126 | WAC007HD000 | DOWTY WASHER | 1 |
| 129 | FAS006GJ010 | 1/4 INCH BLANKING PLUG | 1 |

ITEMS MARKED X ARE AVAILABLE ONLY IN SERVICE KIT HDA150TP1-K

IMPORTANT

WHEN ORDERING SPARES YOU MUST STATE THE FULL PART NUMBER AND THE PRODUCT SERIAL NUMBER - FROM THE LABEL TO PROTECT YOUR WARRANTY ALWAYS USE GENUINE HI-FORCE PARTS.



IMPORTANT
WHEN ORDERING SPARES YOU MUST STATE THE FULL PART NUMBER AND THE
PRODUCT SERIAL NUMBER - FROM THE LABEL
TO PROTECT YOUR WARRANTY ALWAYS USE GENUINE HI-FORCE PARTS.

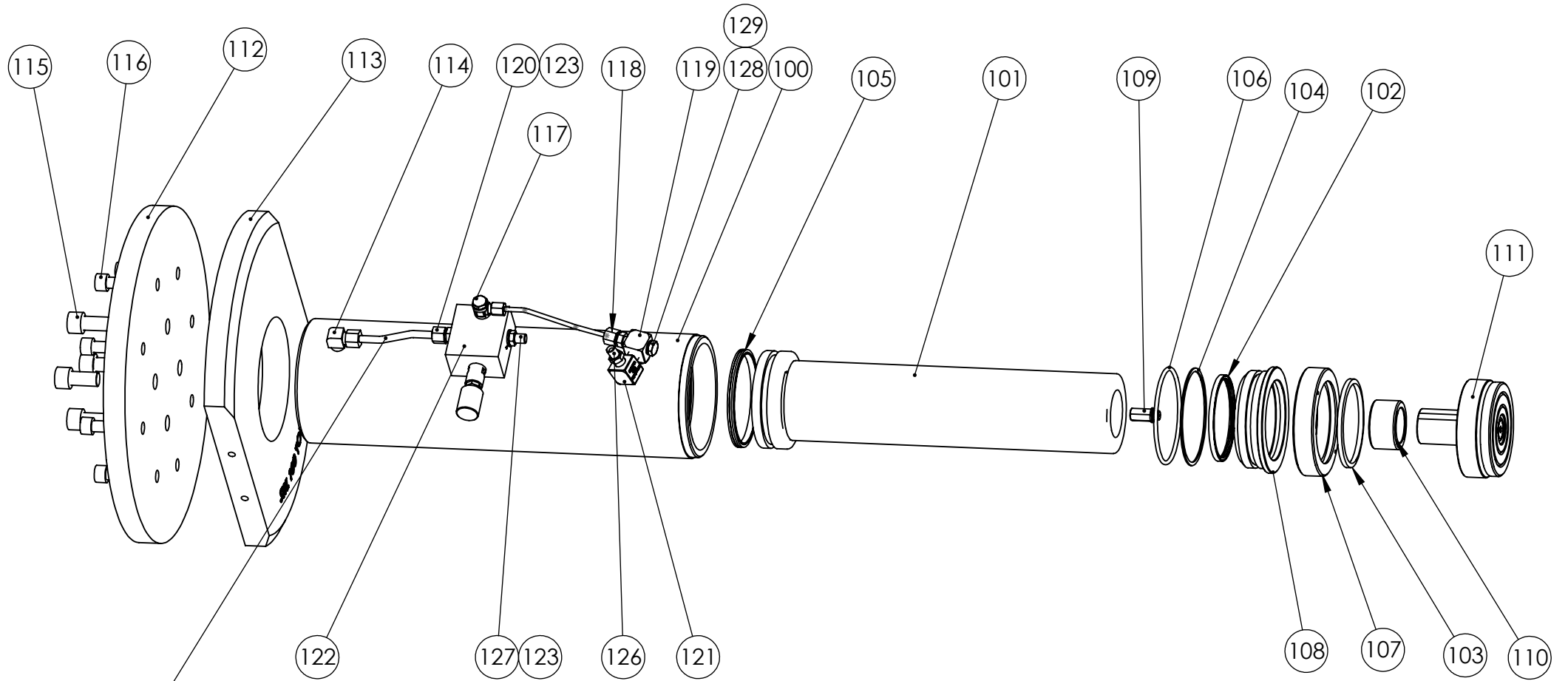
| ITEM NO. | PART NUMBER | DESCRIPTION | QTY. |
|----------|-------------|---------------------|------|
| 100 | CBC140AR002 | CYLINDER | 1 |
| 101 | PRC140VR004 | PISTON | 1 |
| 102 | x | ROD SEAL | 1 |
| 103 | x | WIPER | 1 |
| 104 | x | BACK UP RING | 1 |
| 105 | x | PISTON SEAL | 1 |
| 106 | x | O - RING | 1 |
| 107 | SRC114WN001 | STOP RING | 1 |
| 108 | SSC140EA004 | SEAL RETAINER | 1 |
| 109 | VRA700AF002 | RELIEF VALVE | 1 |
| 110 | ADC150PA001 | ADAPTOR | 1 |
| 111 | TLS150 | TILTING SADDLE | 1 |
| 112 | ADC200BC001 | BASE PLATE | 1 |
| 113 | ADC100BC001 | INTERMEDIATE PLATE | 1 |
| 114 | FPC010DN001 | STUD ELBOW | 1 |
| 115 | BLC020PC040 | SOCKET CAP HD SCREW | 4 |
| 116 | BLC016ND040 | SOCKET CAP HD SCREW | 8 |
| 117 | FPC006QB002 | 6MM BANJO | 1 |
| 118 | FPC010FZ003 | ELBOW FITTING | 1 |
| 119 | FPC010YB001 | STUD COUPLING | 1 |
| 120 | VFA006NV001 | LOWERING VALVE | 1 |
| 121 | WAC010HD000 | DOWTY WASHER | 2 |

| ITEM NO. | PART NUMBER | DESCRIPTION | QTY. |
|----------|-------------|------------------------|------|
| 122 | WAC007HD000 | DOWTY WASHER | 1 |
| 124 | FPC010NB002 | REDUCER | 1 |
| 125 | FPC010NB001 | REDUCER | 1 |
| 126 | FPC006DN001 | COMPRESSION ELBOW | 1 |
| 128 | FAS006GJ010 | 1/4 INCH BLANKING PLUG | 1 |

ITEMS MARKED X ARE AVAILABLE ONLY IN SERVICE KIT HDA100TP1-K

IMPORTANT

WHEN ORDERING SPARES YOU MUST STATE THE FULL PART NUMBER AND THE PRODUCT SERIAL NUMBER - FROM THE LABEL TO PROTECT YOUR WARRANTY ALWAYS USE GENUINE HI-FORCE PARTS.



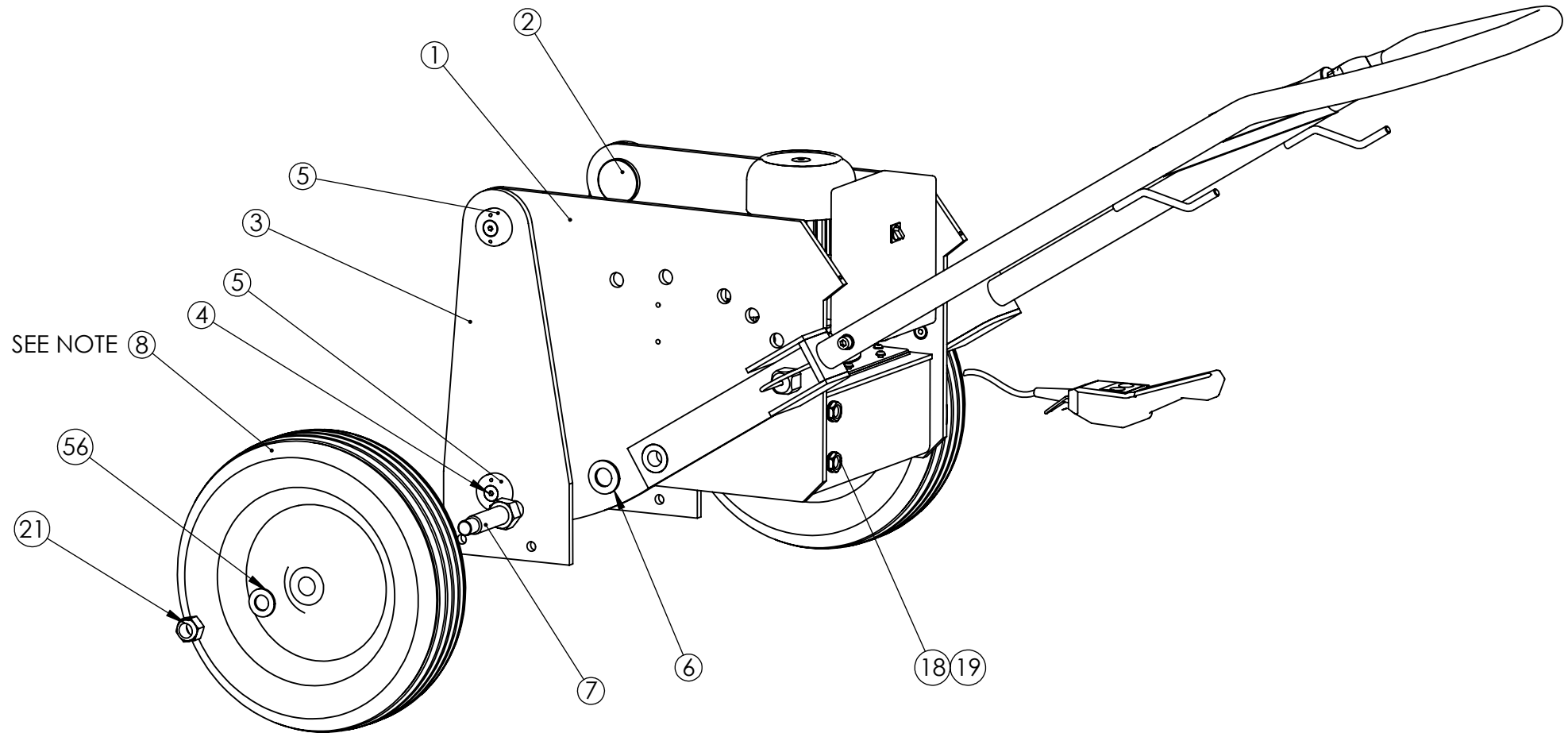
PIPES NOT AVAILABLE AS SPARE PARTS

IMPORTANT
WHEN ORDERING SPARES YOU MUST STATE THE FULL PART NUMBER AND THE
PRODUCT SERIAL NUMBER - FROM THE LABEL
TO PROTECT YOUR WARRANTY ALWAYS USE GENUINE HI-FORCE PARTS.

| ITEM NO. | PART NUMBER | DESCRIPTION | QTY. |
|----------|-------------|---------------------|------|
| 100 | CBC140AQ002 | CYLINDER | 1 |
| 101 | PRC140VQ002 | PISTON | 1 |
| 102 | X | ROD SEAL | 1 |
| 103 | X | WIPER | 1 |
| 104 | X | BACK UP RING | 1 |
| 105 | X | PISTON SEAL | 1 |
| 106 | X | O - RING | 1 |
| 107 | SRC114WN001 | STOP RING | 1 |
| 108 | SSC140EA001 | SEAL RETAINER | 1 |
| 109 | VRA700AF002 | RELIEF VALVE | 1 |
| 110 | ADC150PA001 | ADAPTOR | 1 |
| 111 | TLS150 | TILTING SADDLE | 1 |
| 112 | ADC200BC001 | BASE PLATE | 1 |
| 113 | ADC100BC001 | INTERMEDIATE PLATE | 1 |
| 114 | FPC010DN001 | STUD ELBOW | 1 |
| 115 | BLC020PC040 | SOCKET CAP HD SCREW | 4 |
| 116 | BLC016ND040 | SOCKET CAP HD SCREW | 8 |
| 117 | FPC006QB002 | 6MM BANJO | 1 |

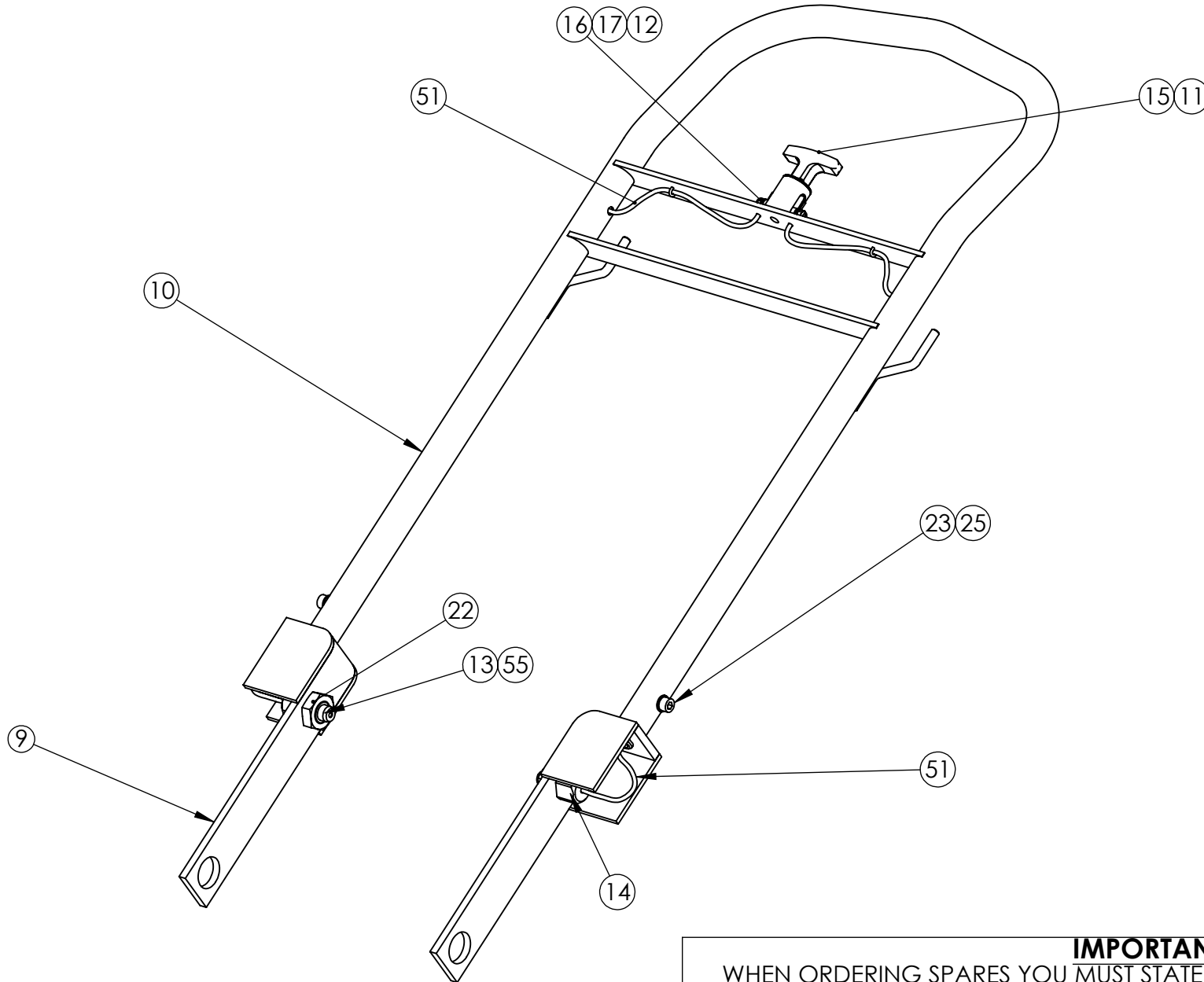
| ITEM NO. | PART NUMBER | DESCRIPTION | QTY. |
|----------|-------------|------------------------|------|
| 118 | FPC006YN002 | STUD COUPLING | 1 |
| 119 | FPC010FZ003 | ELBOW FITTING | 1 |
| 120 | FPC010YB001 | STUD COUPLING | 1 |
| 121 | FPC010FZ002 | 3/8" M/F ELBOW | 1 |
| 122 | VFA006NV001 | LOWERING VALVE | 1 |
| 123 | WAC010HD000 | DOWTY WASHER | 2 |
| 126 | FPC010NB002 | REDUCER | 1 |
| 127 | FPC010NB001 | REDUCER | 1 |
| 128 | FAS006GJ010 | 1/4 INCH BLANKING PLUG | 1 |
| 129 | WAC007HD000 | DOWTY WASHER | 1 |

ITEMS MARKED X ARE AVAILABLE ONLY IN SERVICE KIT HDA100TP1-K

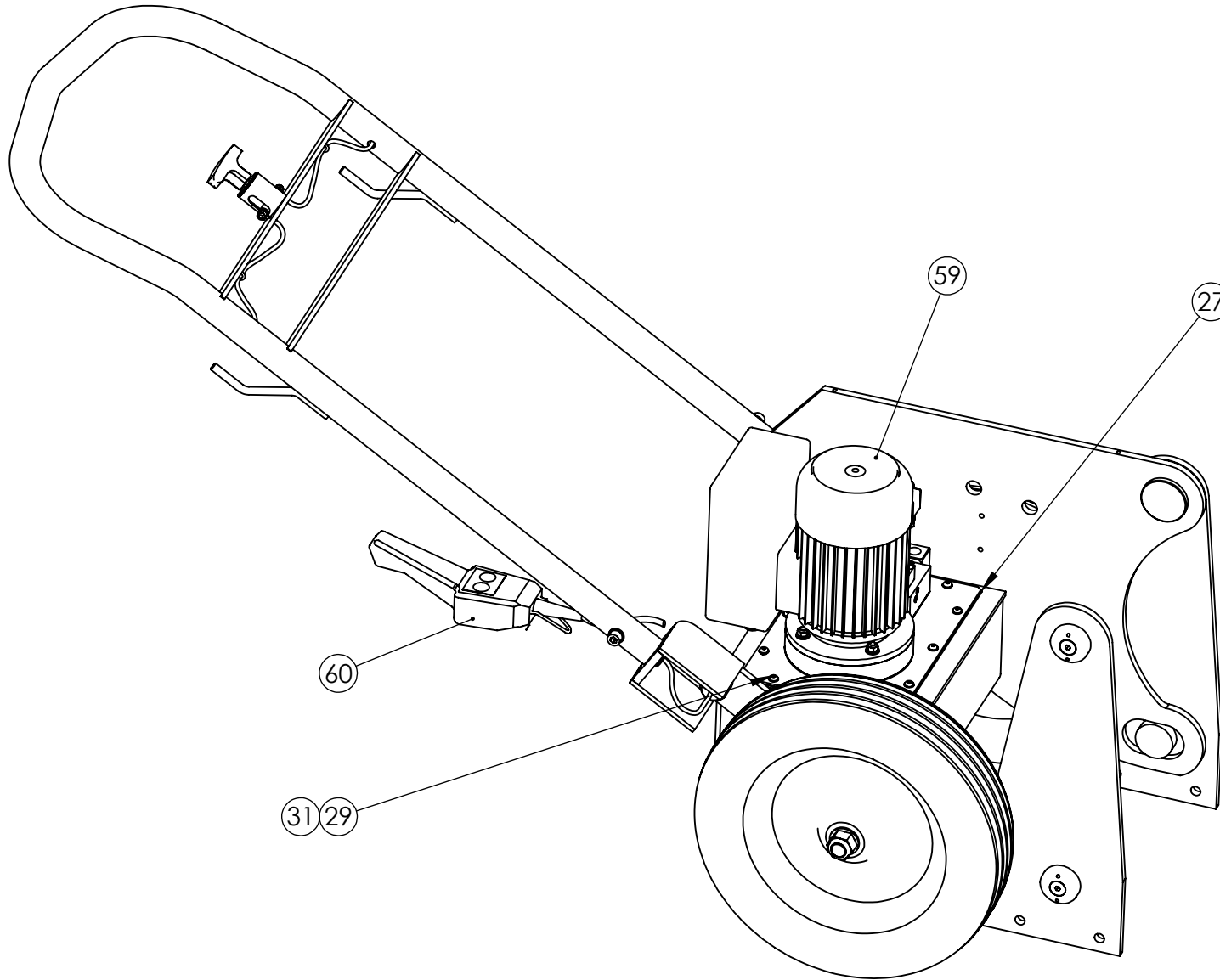


EARLY VERSIONS OF TOUGHLIFTS HAVE PNEUMATIC TYRES. THESE HAVE BEEN CHANGED TO SOLID TYRES. IF ORDERING A REPLACEMENT FOR A PNEUMATIC TYRED WHEEL THEN YOU MUST ORDER A PAIR TO AVOID MIS MATCH. SOLID TYRED WHEELS CAN BE REPLACED SINGLY.

IMPORTANT
WHEN ORDERING SPARES YOU MUST STATE THE FULL PART NUMBER AND THE PRODUCT SERIAL NUMBER - FROM THE LABEL TO PROTECT YOUR WARRANTY ALWAYS USE GENUINE HI-FORCE PARTS.



IMPORTANT
WHEN ORDERING SPARES YOU MUST STATE THE FULL PART NUMBER AND THE
PRODUCT SERIAL NUMBER - FROM THE LABEL
TO PROTECT YOUR WARRANTY ALWAYS USE GENUINE HI-FORCE PARTS.



IMPORTANT

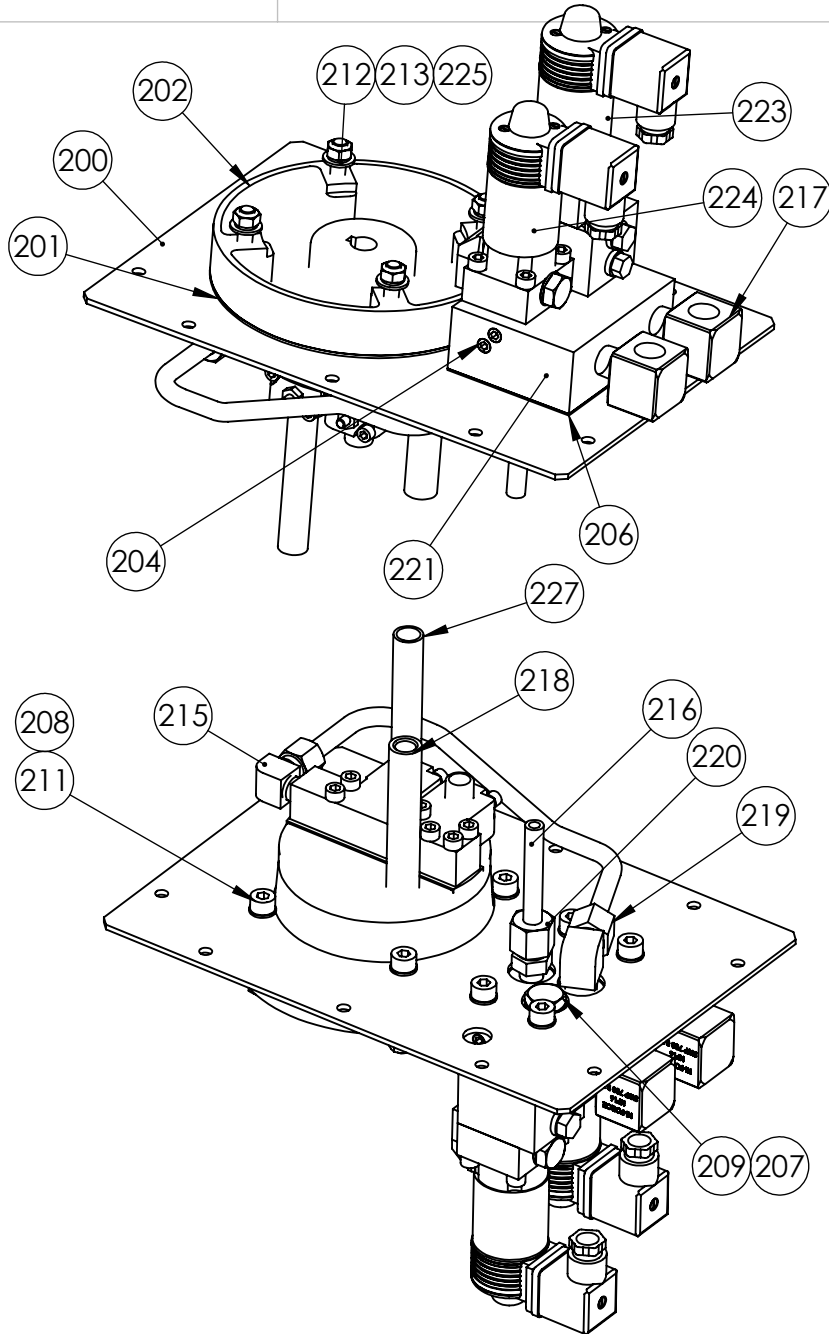
WHEN ORDERING SPARES YOU MUST STATE THE FULL PART NUMBER AND THE PRODUCT SERIAL NUMBER - FROM THE LABEL TO PROTECT YOUR WARRANTY ALWAYS USE GENUINE HI-FORCE PARTS.

| ITEM NO. | PART NUMBER | DESCRIPTION | QTY. |
|----------|-------------|-----------------------|------|
| 1 | SFS262HD001 | FRAME WELD ASSY | 1 |
| 2 | SFC060RA001 | UPPER PIN | 2 |
| 3 | SFC190JE001 | PIVOT PLATE | 2 |
| 4 | SFC050RA001 | LOWER PIN | 2 |
| 5 | NUC024LS001 | NUT | 4 |
| 6 | WAC024AB000 | PLAIN WASHER | 2 |
| 7 | PCC025AJ001 | STUB AXLE | 2 |
| 8 | BSC025WW001 | WHEEL | 2 |
| 9 | SFS060FD003 | HANDLE BRACKET W/ASSY | 2 |
| 10 | HLS038TS001 | HANDLE ASSEMBLY | 1 |
| 11 | PCC010AJ001 | RELEASE ROD | 1 |
| 12 | PCC012AH001 | CABLE CLAMP | 1 |
| 13 | PCC019FH001 | LATCH PIN | 2 |
| 14 | SFC035RA001 | LATCH SLEEVE | 2 |
| 15 | HLC010PM001 | RELEASE HANDLE | 1 |
| 16 | NUC006JC000 | NYLOK NUT | 2 |
| 17 | WAC006AS002 | CLAMP WASHER | 2 |
| 18 | BLC021YT010 | SIGHT GLASS | 2 |
| 19 | NUC021-B000 | THIN NUT | 2 |
| 20 | FPC013PC001 | PLUG | 1 |
| 21 | NUC020PC000 | NYLOK NUT | 2 |
| 22 | NUC027QB001 | THIN NUT | 2 |
| 23 | BLC010LD016 | SOCKET CAP HD SCREW | 2 |
| 25 | WAC010AB000 | PLAIN WASHER | 2 |
| 27 | Z | GASKET | 2 |
| 29 | BLC006JH016 | BUTTON HEAD SCREW | 10 |

| ITEM NO. | PART NUMBER | DESCRIPTION | QTY. |
|----------|---------------|---------------|------|
| 31 | WAC006EB000 | WASHER | 10 |
| 50 | DCSF00328 | MAGNET | 1 |
| 51 | Z | CABLE ASSY | 2 |
| 55 | SPC009CC001 | SPRING | 2 |
| 56 | WAC020AB000 | M20 PL WASHER | 2 |
| 57 | BPC010SP002 | FILLER | 1 |
| 59 | EM240-0.55-4T | MOTOR | 1 |
| 60 | EMC000VZ002 | HAND PENDANT | 1 |

ITEMS MARKED Z ARE AVAILABLE ONLY
 IN SERVICE KIT TLATP1-K

IMPORTANT
 WHEN ORDERING SPARES YOU MUST STATE THE FULL PART NUMBER AND THE
 PRODUCT SERIAL NUMBER - FROM THE LABEL
 TO PROTECT YOUR WARRANTY ALWAYS USE GENUINE HI-FORCE PARTS.



| ITEM NO. | PART NUMBER | DESCRIPTION | QTY. |
|----------|-------------|--------------------------|------|
| 200 | TAC008BS002 | TANK LID | 1 |
| 201 | Z | MOTOR GASKET | 1 |
| 202 | PMC014CF002 | PUMP UNIT | 1 |
| 204 | FPC002PN001 | PLUG | 6 |
| 205 | FPC006PN001 | PLUG | 1 |
| 206 | Z | GASKET | 1 |
| 207 | Z | DOWTY WASHER | 1 |
| 208 | Z | DOWTY WASHER | 8 |
| 209 | FAS006GJ010 | 1/4 INCH BLANKING PLUG | 1 |
| 211 | BLC008KD016 | SOCKET CAP HD SCREW | 8 |
| 212 | WAC008AB000 | M8 WASHER | 4 |
| 213 | WAC008BB000 | M8 SPRING WASHER | 4 |
| 215 | FPC006DB001 | FITTING | 1 |
| 216 | HOC006PS020 | TUBE | 1 |
| 217 | HF16 | 3/8" M/F ELBOW | 2 |
| 218 | TAC000PA005 | SUCTION PIPE | 1 |
| 219 | FPC010DN001 | STUD ELBOW | 1 |
| 220 | FPC006YN001 | STUD COUPLING | 1 |
| 221 | VFC010RD007 | SUB PLATE | 1 |
| 223 | VFC000CD008 | 4/2 VALVE ASSY | 1 |
| 224 | VFC000CD005 | 2/2 VALVE | 1 |
| 225 | BLC008ST000 | M8X35MM ENGINEERING STUD | 4 |
| 226 | NUC008KA000 | NUT | 4 |
| 227 | HOC015PC003 | TUBE | 1 |

IMPORTANT

WHEN ORDERING SPARES YOU MUST STATE THE FULL PART NUMBER AND THE PRODUCT SERIAL NUMBER - FROM THE LABEL TO PROTECT YOUR WARRANTY ALWAYS USE GENUINE HI-FORCE PARTS.