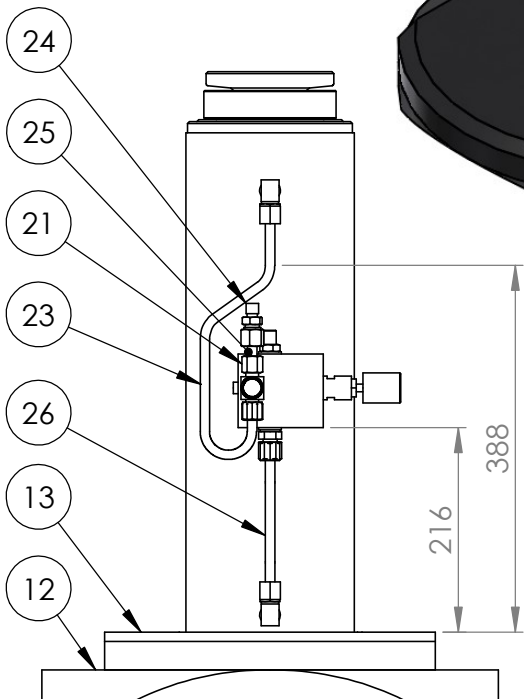
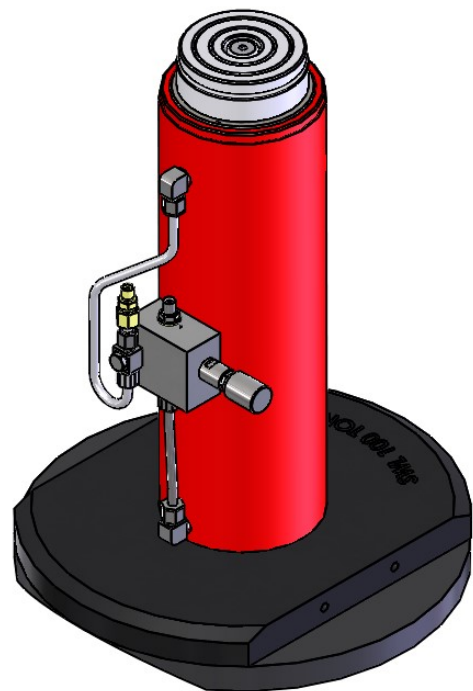
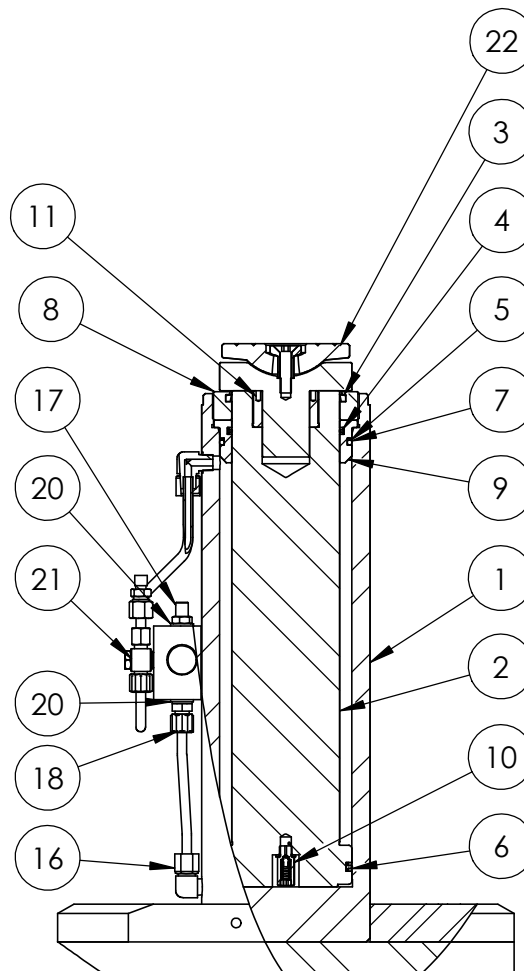


DRAWING CHANGE

1
134907
14**2**
145356
153
154
165
176
187
198
209
2110
2211
2312
24

INC REV. DRAWINGS AT REVISION #.# ARE VALID FOR USE WITH DOCUMENTATION FOR REVISION #

NOTE:
MAKE PIPES OFF TO FIT THE DIMENSIONS SHOWN TO LEFT.

ITEM NO.	PART NUMBER	DESCRIPTION	QTY.
1	CBC140AQ002	CYLINDER	1
2	PRC140VQ002	PISTON	1
3	X	WIPER	1
4	X	ROD SEAL	1
5	X	BACK UP RING	1
6	X	PISTON SEAL	1
7	X	O-RING	1
8	SRC114WN001	STOP RING	1
9	SSC140EA001	SEAL RETAINER	1
10	VRA700AF002	RELIEF VALVE	1
11	ADC150PA001	ADAPTOR	1
12	ADC200BC009	BASE PLATE	1
13	ADC100BC001	INTERMEDIATE PLATE	1
14	BLC016ND040	M6xT6 SOCKET CAP HD SCREW	8
15	BLC020PC040	M6xT6 SOCKET CAP HD SCREW	4
16	FPC010DN001	MALE STUD ELBOW	2
17	FPC010NB001	REDUCER	1
18	FPC010YB001	STUD COUPLING	1
19	VFA006NV001	LOWERING VALVE	1
20	WAC016KD001	DOWTY WASHER	2
21	FPC010QB004	10mm BANJO	1
22	TLS100	TILTING SADDLE	1
23	HOC010PS005	PRE-BENT TUBE ASSEMBLY	1
24	FPC006YB003	MALE STUD COUPLER	1
25	TL PIPE 10016TP2	10mm OD STUB PIPE	1
26	HOC010PS006	FULL BORE PIPE	1

NOTE:
PARTS MARKED 'X' ARE PART OF REPAIR KIT HDA100TP1-K**Hi-Force**
HYDRAULIC TOOLSPROSPECT WAY, DAVENTRY
NORTHANTS. NN11 8PLTITLE:
TOUGHLIFT CYLINDER ASSEMBLYTHIS DRAWING IS THE SOLE PROPERTY OF HI-FORCE LTD.
AND MUST NOT BE LOANED, COPIED OR
USED IN ANY WAY WITHOUT THE WRITTEN CONSENT OF THE Co.DRAWN
MM
DATE
15/06/2016
CHKD
MJDMATERIAL:
FINISH:

REMARKS

UNLESS SPECIFIED
OTHERWISE, M/C FINISH
Ra 1.6 µm

DO NOT SCALE

ALL DIMS ARE IN mm AND INCLUDE ANY
SURFACE TREATMENTS.
TOLERANCES (UNLESS SPECIFIED OTHERWISE):
LINEAR DIMS ±0.25
ANGULAR DIMS ±0.5°
COAXIAL DIAMS TO BE CONCENTRIC TO WITHIN
0.05 T.I.R. REMOVE ALL BURRS AND SHARP EDGES

COMPONENT DRG NO.

HDA10016TL

SHT 1 OF 1 SHTS