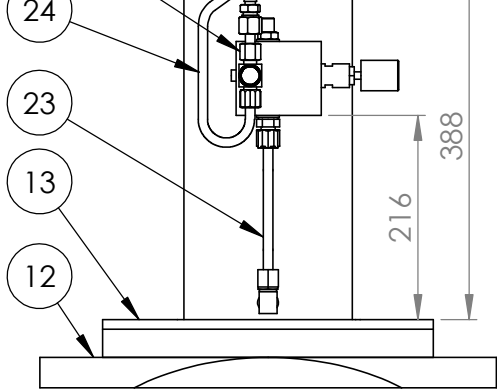
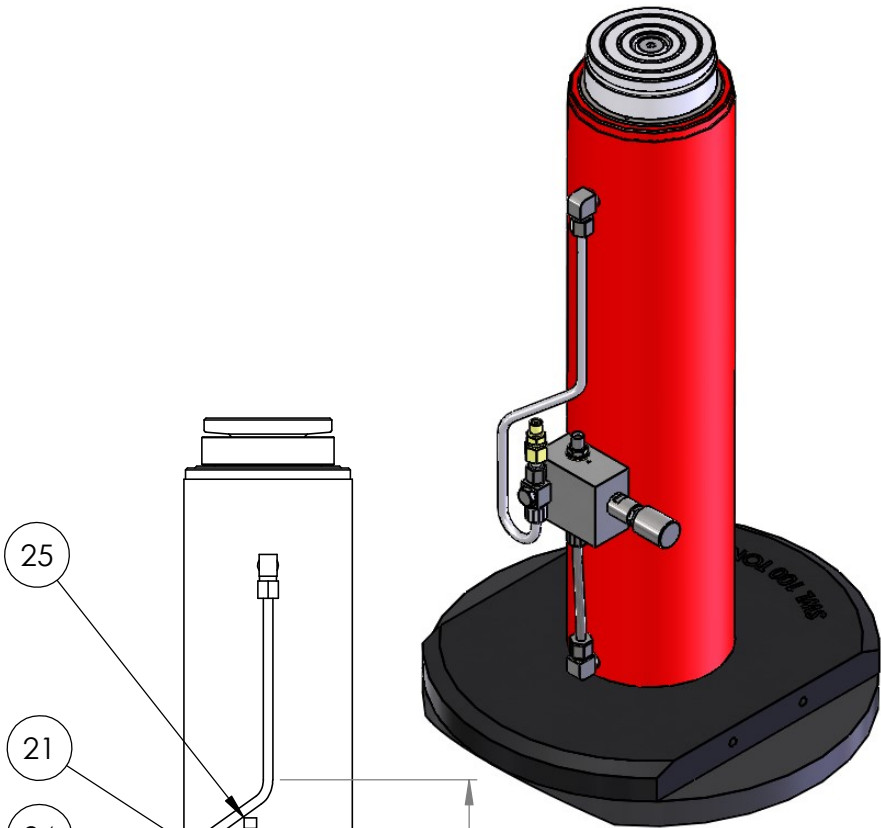
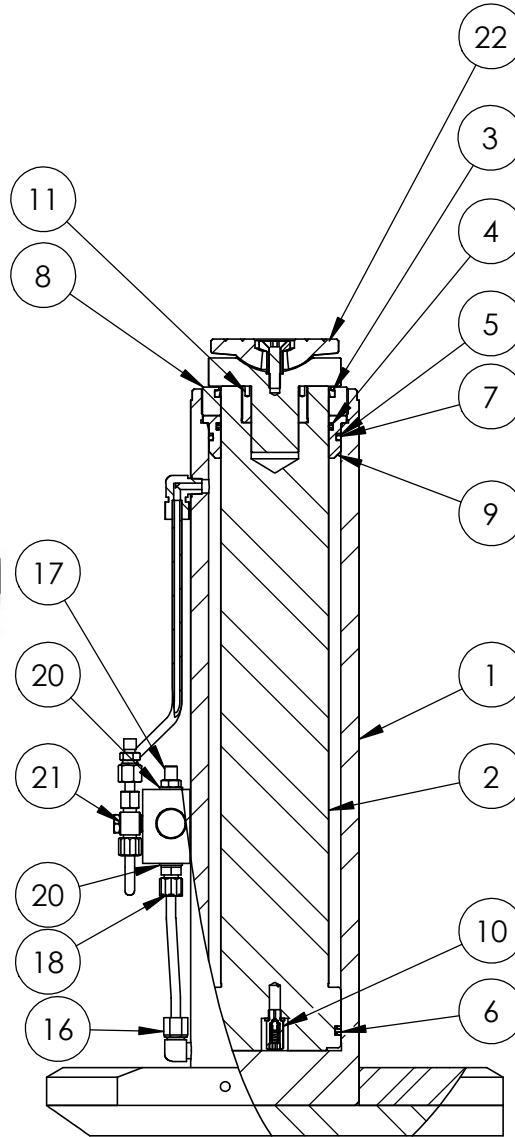


DRAWING CHANGE	1	4907	2	5356	3	4	5	6	7	8	9	10	11	12	INC REV. DRAWINGS AT REVISION #.# ARE VALID FOR USE WITH DOCUMENTATION FOR REVISION #
	13		14		15	16	17	18	19	20	21	22	23	24	



NOTE:
MAKE PIPES OFF TO
FIT THE DIMENSIONS
SHOWN TO LEFT.



ITEM NO.	PART NUMBER	DESCRIPTION	QTY.
1	CBC140AR002	CYLINDER	1
2	PRC140VR004	PISTON	1
3	X	WIPER	1
4	X	ROD SEAL	1
5	X	BACK UP RING	1
6	X	PISTON SEAL	1
7	X	O-RING	1
8	SRC114WN001	STOP RING	1
9	SSC140EA001	SEAL RETAINER	1
10	VRA700AF002	RELIEF VALVE	1
11	ADC150PA001	ADAPTOR	1
12	ADC200BC009	BASE PLATE	1
13	ADC100BC001	INTERMEDIATE PLATE	1
14	BLC016ND040	M6x16 SOCKET CAP HD SCREW	8
15	BLC020PC040	M6x16 SOCKET CAP HD SCREW	4
16	FPC010DN001	MALE STUD ELBOW	2
17	FPC010NB001	REDUCER	1
18	FPC010YB001	STUD COUPLING	1
19	VFA006NV001	LOWERING VALVE	1
20	WAC016KD001	DOWTY WASHER	2
21	FPC010QB004	10mm BANJO	1
22	TLS100	TILTING SADDLE	1
23	HOC010PS006	FULL BORE PIPE	1
24	HOC010PS005	PRE-BENT TUBE ASSEMBLY	1
25	FPC006YB003	MALE STUD COUPLER	1
26	TL PIPE 10021TP2	10mm OD STUB PIPE	1

NOTE:
PARTS MARKED 'X' ARE PART OF
REPAIR KIT HDA100TP1-K

<p>PROSPECT WAY, DAVENTRY NORTHANTS. NN11 8PL</p>	TITLE:	DRAWN	MATERIAL:	REMARKS	<p>DO NOT SCALE</p> <p>ALL DIMS ARE IN mm AND INCLUDE ANY SURFACE TREATMENTS. TOLERANCES (UNLESS SPECIFIED OTHERWISE): LINEAR DIMS ±0.25 ANGULAR DIMS ±0.5° COAXIAL DIAMS TO BE CONCENTRIC TO WITHIN 0.05 T.I.R. REMOVE ALL BURRS AND SHARP EDGES</p>	COMPONENT DRG NO.
	TOUHLIFT CYLINDER ASSEMBLY	MM				
	DATE	15/06/2016	FINISH:	UNLESS SPECIFIED OTHERWISE, M/C FINISH Ra 1.6 µm		
	THIS DRAWING IS THE SOLE PROPERTY OF HI-FORCE LTD. AND MUST NOT BE LOANED, COPIED OR USED IN ANY WAY WITHOUT THE WRITTEN CONSENT OF THE Co.	CHKD	MJD			HDA10021TL
						SHT 1 OF 1 SHTS