

DRAWING CHANGE

1
134907
14**2**5356
153
164
175
186
197
208
219
2210
2311
24

12

13

14

15

16

17

18

19

20

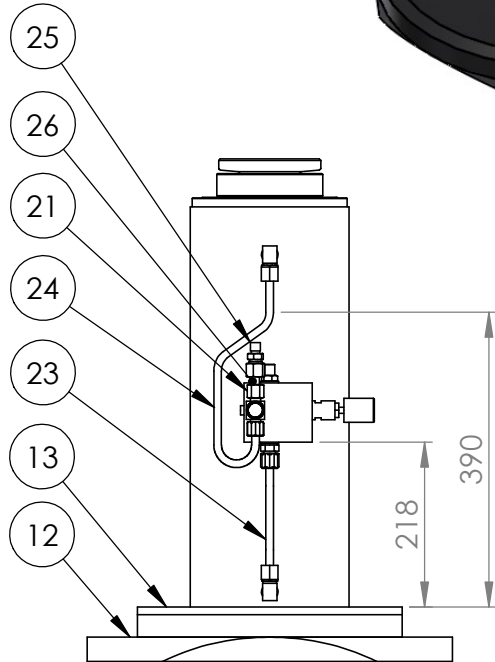
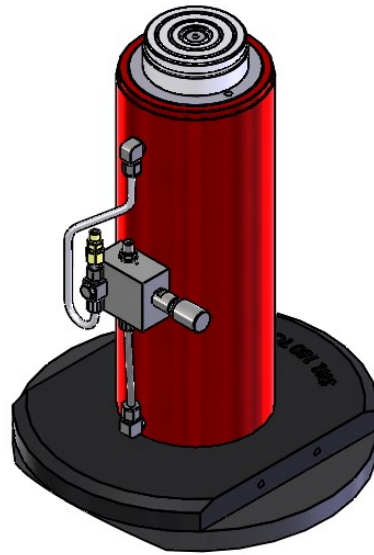
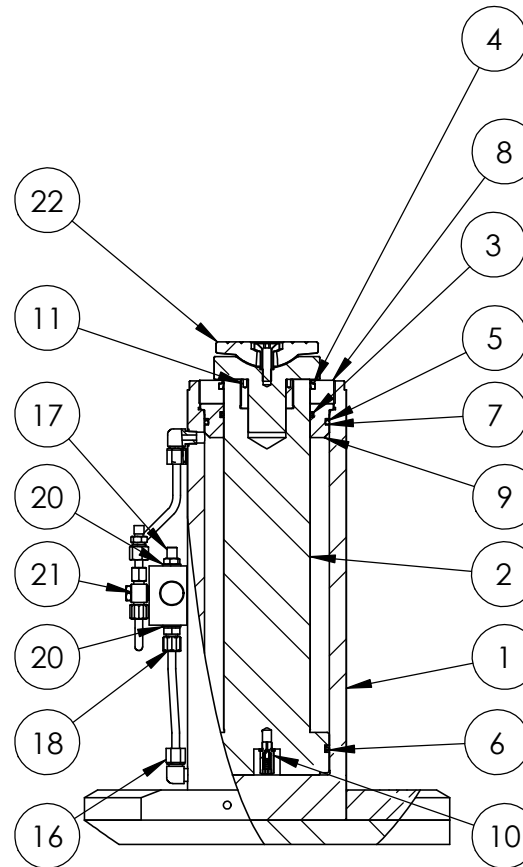
21

22

23

24

INC REV. DRAWINGS AT REVISION #.# ARE VALID FOR USE WITH DOCUMENTATION FOR REVISION #

NOTE:
MAKE PIPES OFF TO FIT THE DIMENSIONS SHOWN TO LEFT.

ITEM NO.	PART NUMBER	DESCRIPTION	QTY.
1	CBC165AP001	CYLINDER	1
2	PRC165VP001	PISTON.	1
3	X	ROD SEAL	1
4	X	WIPER	1
5	X	BACK UP RING	1
6	X	PISTON TEE SEAL	1
7	X	O-RING	1
8	SRC114WQ002	STOP RING	1
9	SSC165EA001	SEAL RETAINER.	1
10	VRA700AF002	RELIEF VALVE	1
11	ADC150PA001	ADAPTOR	1
12	ADC200BC009	BASE PLATE	1
13	ADC150BC001	INTERMEDIATE PLATE	1
14	BLC016ND040	M6x16 SOCKET CAP HD SCREW	8
15	BLC020PC040	M6x16 SOCKET CAP HD SCREW	4
16	FPC010DN001	MALE STUD ELBOW	2
17	FPC010NB001	REDUCER	1
18	FPC010YB001	STUD COUPLING	1
19	VFA006NV001	LOWERING VALVE	1
20	WAC016KD001	DOWTY WASHER	2
21	FPC010QB004	10mm BANJO	1
22	TLS150	TILTING SADDLE	1
23	HOC010PS006	FULL BORE PIPE	1
24	HOC010PS005	PRE-BENT TUBE ASSEMBLY	1
25	FPC006YB003	MALE STUD COUPLER	1
26	TL PIPE 15015TP2	10mm OD STUB PIPE	1

NOTE:
PARTS MARKED 'X' ARE PART OF REPAIR KIT HDA150TP1-K**Hi-Force**
HYDRAULIC TOOLSTITLE:
TOUGHLIFT CYLINDER ASSEMBLY

DRAWN

MM

MATERIAL:

REMARKS

DO NOT SCALE

ALL DIMS ARE IN mm AND INCLUDE ANY SURFACE TREATMENTS.
TOLERANCES (UNLESS SPECIFIED OTHERWISE):
LINEAR DIMS ±0.25
ANGULAR DIMS ±0.5°
COAXIAL DIAMS TO BE CONCENTRIC TO WITHIN 0.05 T.I.R. REMOVE ALL BURRS AND SHARP EDGES

COMPONENT DRG NO.

HDA15015TL

PROSPECT WAY, DAVENTRY
NORTHANTS. NN11 8PLTHIS DRAWING IS THE SOLE PROPERTY OF HI-FORCE LTD.
AND MUST NOT BE LOANED, COPIED OR
USED IN ANY WAY WITHOUT THE WRITTEN CONSENT OF THE Co.

DATE

15/06/2016

FINISH:

UNLESS SPECIFIED
OTHERWISE, M/C FINISH
Ra 1.6 µm

CHKD

MJD

SHT 1 OF 1 SHTS