

ITEM NO.	PART NUMBER	DESCRIPTION	QTY.
1	CBC190AP003	CYLINDER	1
2	PRC190DP003	PISTON	1
3	X	ROD SEAL	1
4	X	WIPER	1
5	X	BACK UP RING	1
6	X	PISTON SEAL	1
7	X	O-RING	1
8	SRC140WQ002	STOP RING	1
9	SSC190EA001	SEAL RETAINER	1
10	ADC200PA001	ADAPTOR	1
11	ADC200BC009	BASE PLATE	1
12	ADC200BC002	INTERMEDIATE PLATE	1
13	BLC016ND040	SOCKET CAP HD SCREW	8
14	BLC020PC040	SOCKET CAP HD SCREW	4
15	FPC010DN001	MALE STUD ELBOW	2
16	FPC010NB001	REDUCER	1
17	FPC010YB001	STUD COUPLING	1
18	VFA006NV001	LOWERING VALVE	1
19	WAC016KD001	DOWTY WASHER	2
20	FPC010QB004	10mm BANJO	1
21	TLS200	TILTING SADDLE ASSEMBLY	1
22	HOC010PS006	FULL BORE PIPE	1
23	FPC006YB003	MALE STUD COUPLER	1
24	TL PIPE 20027TP2	10mm OD STUB PIPE	1
25	HOC010PS005	PRE-BENT TUBE ASSEMBLY	1
26	VRA001AF002	RELIEF VALVE	1

REVISION

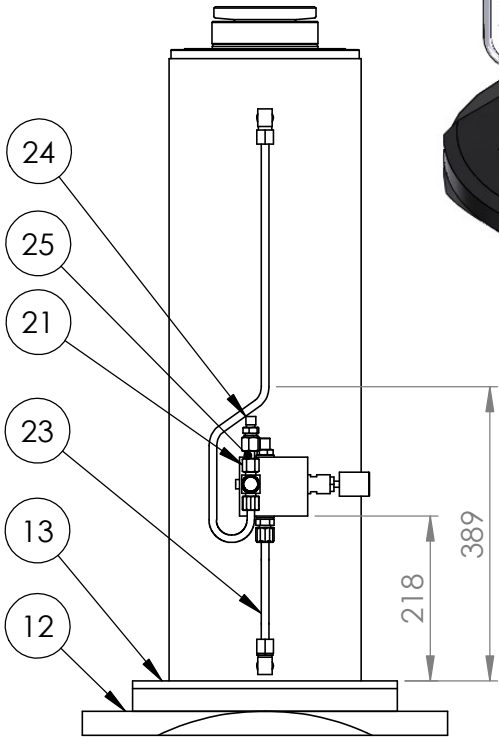
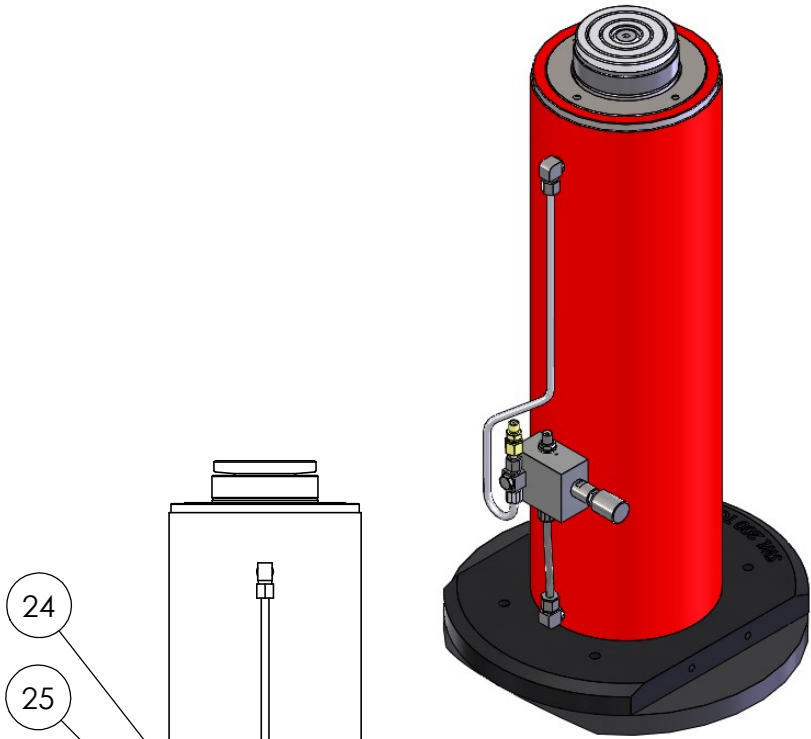
1	4907
2	5356
<b>3</b>	5680
4	
5	
6	
7	
8	
9	
10	
11	
12	
13	
14	
15	
16	
17	
18	
19	
20	

**NOTE:**  
PARTS MARKED 'X' ARE PART OF  
REPAIR KIT HDA200TP1-K

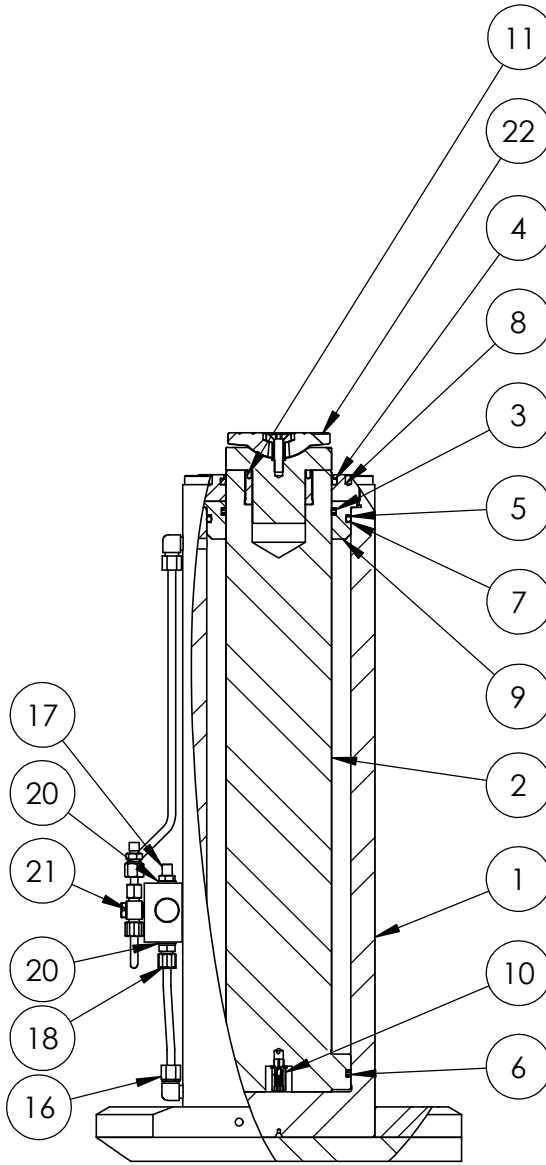
**IMPORTANT**

WHEN ORDERING SPARES YOU MUST STATE THE FULL PART NUMBER AND THE  
PRODUCT SERIAL NUMBER - FROM THE LABEL  
TO PROTECT YOUR WARRANTY ALWAYS USE GENUINE HI-FORCE PARTS.

DRAWING CHANGE	1	4907	<b>2</b>	5356	3	4	5	6	7	8	9	10	11	12	INC REV. DRAWINGS AT REVISION #.# ARE VALID FOR USE WITH DOCUMENTATION FOR REVISION #
	13		14	15	16	17	18	19	20	21	22	23	24		



NOTE:  
MAKE PIPES OFF TO  
FIT THE DIMENSIONS  
SHOWN TO LEFT.



ITEM NO.	PART NUMBER	DESCRIPTION	QTY.
1	CBC190AP002	CYLINDER	1
2	PRC190DP002	PISTON	1
3	X	ROD SEAL	1
4	X	WIPER	1
5	X	BACK UP RING	1
6	X	PISTON SEAL	1
7	X	O-RING	1
8	SRC140WQ002	STOP RING	1
9	SSC190EA001	SEAL RETAINER	1
10	VRA700AF002	RELIEF VALVE	1
11	ADC200PA001	ADAPTOR	1
12	ADC200BC009	BASE PLATE	1
13	ADC200BC002	INTERMEDIATE PLATE	1
14	BLC016ND040	M6x16 SOCKET CAP HD SCREW	8
15	BLC020PC040	M6x16 SOCKET CAP HD SCREW	4
16	FPC010DN001	MALE STUD ELBOW	2
17	FPC010NB001	REDUCER	1
18	FPC010YB001	STUD COUPLING	1
19	VFA006NV001	LOWERING VALVE	1
20	WAC016KD001	DOWTY WASHER	2
21	FPC010QB004	10mm BANJO	1
22	TLS200	TILTING SADDLE ASSEMBLY	1
23	HOC010PS006	FULL BORE PIPE	1
24	FPC006YB003	MALE STUD COUPLER	1
25	TL PIPE 20027P2	10mm OD STUB PIPE	1
26	HOC010PS005	PRE-BENT TUBE ASSEMBLY	1

NOTE:  
PARTS MARKED 'X' ARE PART OF  
REPAIR KIT HDA200TP1-K

<p>PROSPECT WAY, DAVENTRY NORTHANTS. NN11 8PL</p>	TITLE:	DRAWN	MATERIAL:	REMARKS	<p><b>DO NOT SCALE</b></p> <p>ALL DIMS ARE IN mm AND INCLUDE ANY SURFACE TREATMENTS. TOLERANCES (UNLESS SPECIFIED OTHERWISE): LINEAR DIMS ±0.25 ANGULAR DIMS ±0.5° COAXIAL DIAMS TO BE CONCENTRIC TO WITHIN 0.05 T.I.R. REMOVE ALL BURRS AND SHARP EDGES</p>	COMPONENT DRG NO.
	TOUHLIFT CYLINDER ASSEMBLY	MM				
	DATE	15/06/2016	FINISH:	UNLESS SPECIFIED OTHERWISE, M/C FINISH Ra 1.6 µm		
	CHKD	MJD				HDA20027TL
THIS DRAWING IS THE SOLE PROPERTY OF HI-FORCE LTD. AND MUST NOT BE LOANED, COPIED OR USED IN ANY WAY WITHOUT THE WRITTEN CONSENT OF THE Co.						SHT 1 OF 1 SHTS