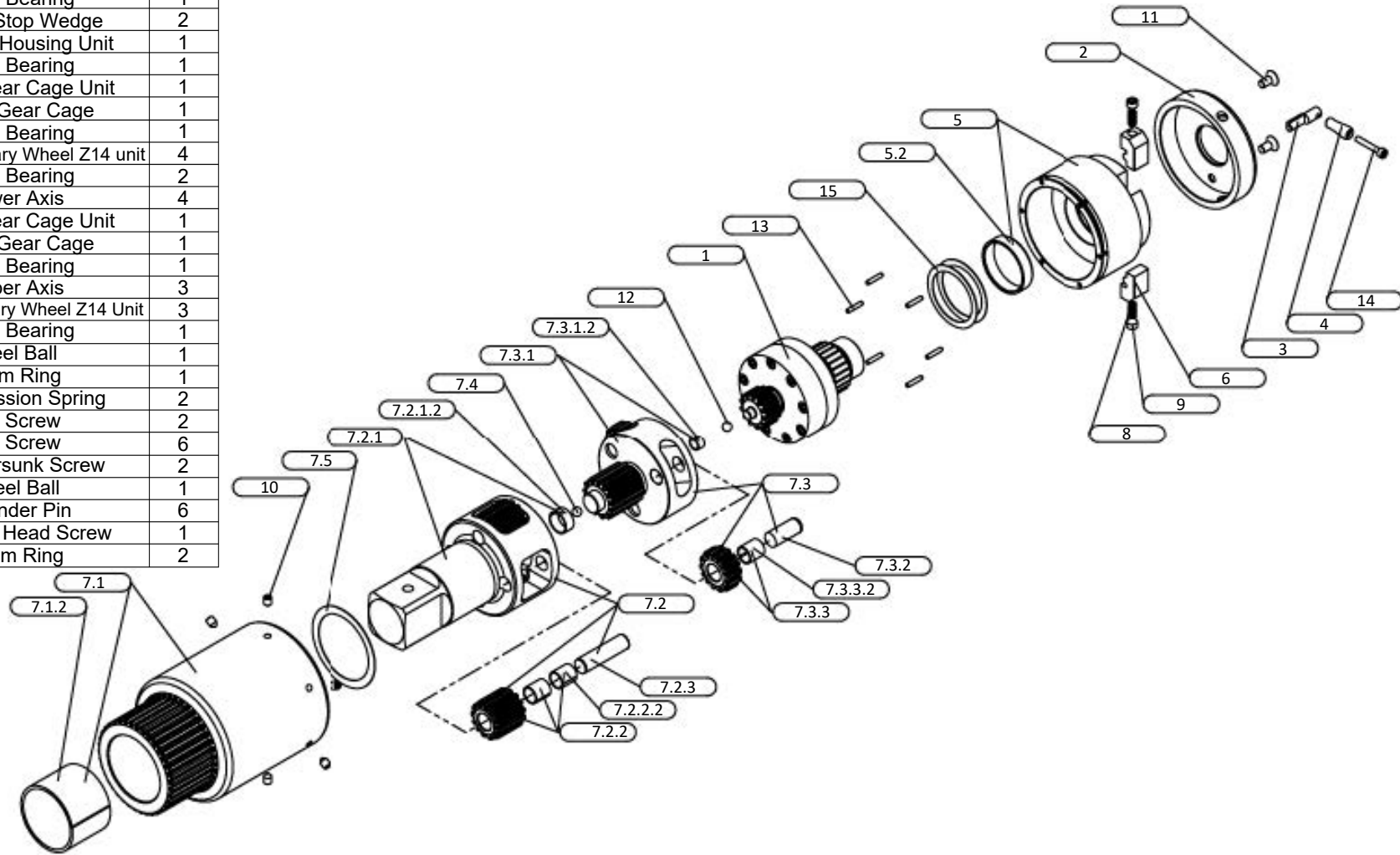


ITEM NO.	PART NO.	DESCRIPTION	QTY.
1	31553.000	Torque Safety System Unit	1
2	31551.00	Cover Plate	1
3	31555.010	Control Spindle	1
4	31506.010	Switch Lever	1
5	31554.010	Switching Unit	1
5.2	9DU04010	Slide Bearing	1
6	31558.010	Return Stop Wedge	2
7.1	377552.A10	Gearbox Housing Unit	1
7.1.2	9DU05040	Slide Bearing	1
7.2	12557.000	Lower Gear Cage Unit	1
7.2.1	12557.010	Lower Gear Cage	1
7.2.1.2	9DU01608	Slide Bearing	1
7.2.2	12556.010	Lower Planetary Wheel Z14 unit	4
7.2.2.2	9DU01215	Slide Bearing	2
7.2.3	12555.010	Lower Axis	4
7.3	12554.000	Upper Gear Cage Unit	1
7.3.1	12554.010	Upper Gear Cage	1
7.3.1.2	9DU00806	Slide Bearing	1
7.3.2	12552.010	Upper Axis	3
7.3.3	12553.010	Upper Planetary Wheel Z14 Unit	3
7.3.3.2	9DU01215	Slide Bearing	1
7.4	9K000005	Steel Ball	1
7.5	90988021	Shim Ring	1
8	9D000011	Compression Spring	2
9	90914013	Set Screw	2
10	90914009	Set Screw	6
11	97991004	Countersunk Screw	2
12	9K000005	Steel Ball	1
13	96325063	Cylinder Pin	6
14	90912006	Cylinder Head Screw	1
15	90988020	Shim Ring	2



REVISION

1	4313
2	5485
3	
4	
5	
6	
7	
8	
9	
10	
11	
12	
13	
14	
15	
16	
17	
18	
19	
20	

IMPORTANT
WHEN ORDERING SPARES YOU MUST STATE THE FULL PART NUMBER AND THE PRODUCT SERIAL NUMBER - FROM THE LABEL
TO PROTECT YOUR WARRANTY ALWAYS USE GENUINE HI-FORCE PARTS