

ITEM NO.	PART NUMBER	DESCRIPTION	QTY.
1	TTC120BA001	BODY	1
2	TTC120NS003	PISTON HEAD	1
3	TTC120NS002	PISTON ROD	1
4	BSC028LC001	BEARING	1
5	TTC120EA001	SWIVEL CONNECTOR GLAND	1
6	TTC120SA001	END SWIVEL GLAND	1
7	TTC045SA002	FEMALE SWIVEL CONNECTOR	1
8	TTC045SA003	SWIVEL CONNECTOR CAP	2
9	TTC120MS001	THRUST PAD	2
10	HF7	1/4" NPT MALE ADAPTOR	2
11	CF4F	COUPLER	1
12	CM4F	COUPLER	1
13	VRA280GB001	SPRING SEAT	1
14	TTC120JS001	LOCKING PIN	1
15	X	LIP SEAL	1
16	X	O- RING	1
17	X	BACK UP RING	1
18	X	SOCKET CAP HD SCREW	8
19	X	SPRING PIN	1
20	X	PISTON SEAL	1
21	X	SKT CSK SCREW	2
22	X	CUP PT SCREW	3
23	X	CUP PT SCREW	1
24	X	GRUB SCREW	1
25	X	3/16 BALL	1
26	X	SPRING	1
27	X SK	O- RING	6
28	X SK	O- RING	1
29	X	BALL PLUNGER	1
30	X	PLUG	1
31	BPC003TS001	PLUG	1

REVISION

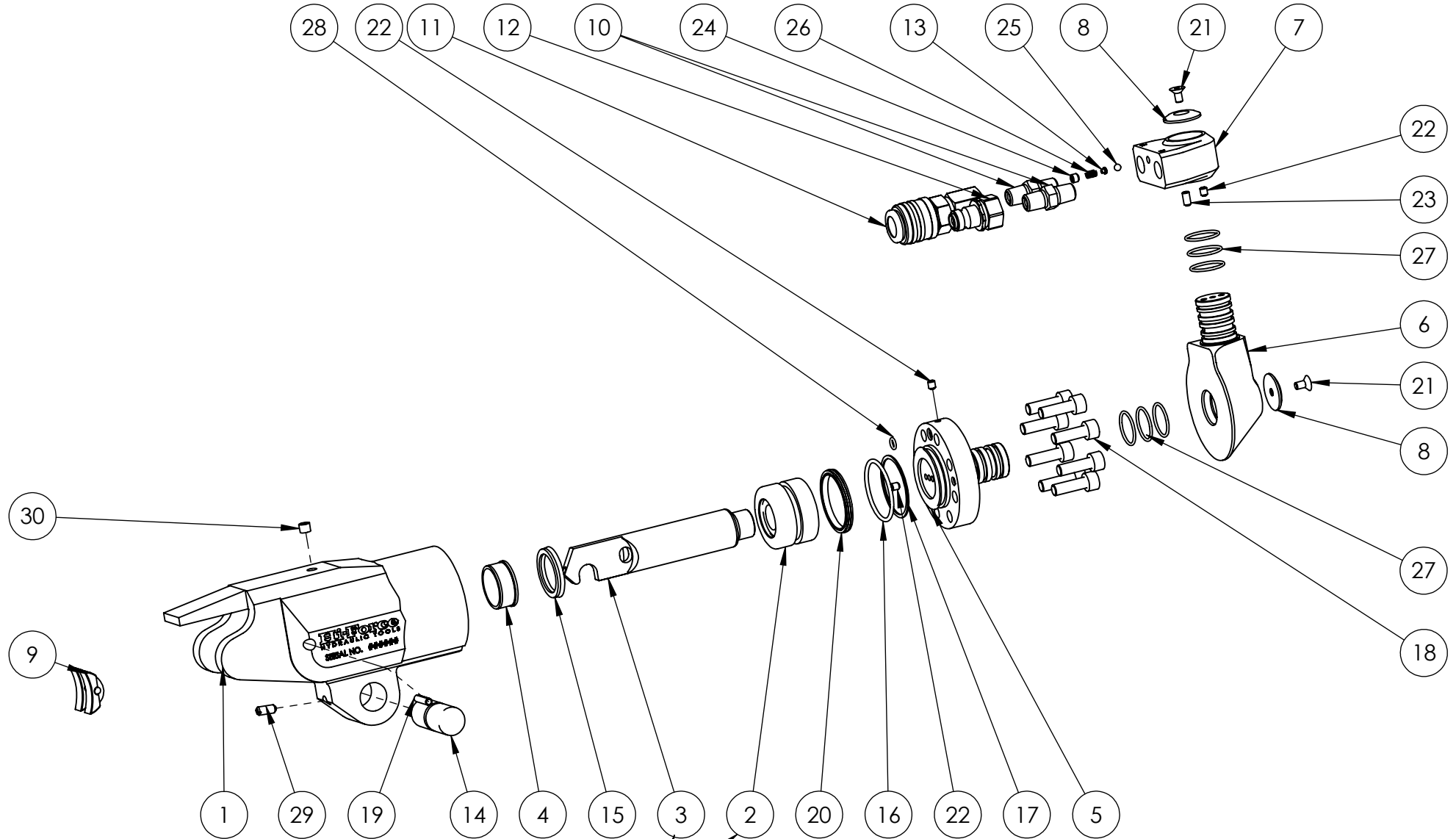
1	
2	3905
3	3992
4	
5	
6	
7	
8	
9	
10	
11	
12	
13	
14	
15	
16	
17	
18	
19	
20	

1. GLAND WRENCH (FOR ITEMS 2 AND 3) AVAILABLE AS PART ATC045PT001

PARTS MARKED "X" ARE AVAILABLE IN SERVICE KIT TWH120NTP2-K ONLY
PARTS MARKED "SK" ARE ALSO AVAILABLE IN SWIVEL KIT TWSHTP2-K

IMPORTANT

WHEN ORDERING SPARES YOU MUST STATE THE FULL PART NUMBER AND THE PRODUCT SERIAL NUMBER - FROM THE LABEL TO PROTECT YOUR WARRANTY ALWAYS USE GENUINE HI-FORCE PARTS.



REVISION	
1	
2	3905
3	
4	
5	
6	
7	
8	
9	
10	
11	
12	
13	
14	
15	
16	
17	
18	
19	
20	

NOTE 1

IMPORTANT
WHEN ORDERING SPARES YOU MUST STATE THE FULL PART NUMBER AND THE PRODUCT SERIAL NUMBER - FROM THE LABEL TO PROTECT YOUR WARRANTY ALWAYS USE GENUINE HI-FORCE PARTS.

ITEM NO.	PART NUMBER	DESCRIPTION	QTY.
1	TTC120BA001	BODY	1
2	TTC120NS003	PISTON HEAD	1
3	TTC120NS002	PISTON ROD	1
4	BSC028LC001	BEARING	1
5	TTC120EA001	SWIVEL CONNECTOR GLAND	1
6	TTC120SA001	END SWIVEL GLAND	1
7	TTC045SA002	FEMALE SWIVEL CONNECTOR	1
8	TTC045SA003	SWIVEL CONNECTOR CAP	2
9	TTC120MS001	THRUST PAD	2
10	HF7	1/4" NPT MALE ADAPTOR	2
11	CF4F	COUPLER	1
12	CM4F	COUPLER	1
13	VRA280GB001	SPRING SEAT	1
14	TTC120JS001	LOCKING PIN	1
15	X	LIP SEAL	1
16	X	O- RING	1
17	X	BACK UP RING	1
18	X	SOCKET CAP HD SCREW	8
19	X	SPRING PIN	1
20	X	PISTON SEAL	1
21	X	SKT CSK SCREW	2
22	X	CUP PT SCREW	3
23	X	CUP PT SCREW	1
24	X	GRUB SCREW	1
25	X	3/16 BALL	1
26	X	SPRING	1
27	X SK	O- RING	6
28	X SK	O- RING	1
29	X	BALL PLUNGER	1
30	X	PLUG	1

REVISION

1	
2	3905
3	
4	
5	
6	
7	
8	
9	
10	
11	
12	
13	
14	
15	
16	
17	
18	
19	
20	

NOTES:

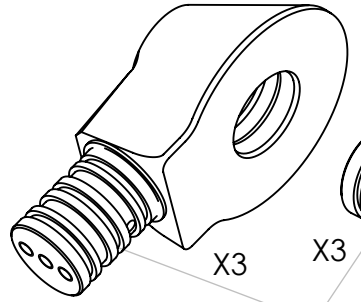
- ITEMS 2 AND 3 WERE A ONE PIECE PISTON ON EARLIER TOOLS. NEW TWO PIECE DESIGN IS INTERCHANGEABLE WITH OLD TYPE.
- GLAND RING (FOR ITEMS 2 AND 3) IS AVAILABLE AS PART ATC045PT001

PARTS MARKED "X" ARE AVAILABLE IN SERVICE KIT TWH120NTP2-K ONLY
PARTS MARKED "SK" ARE ALSO AVAILABLE IN SWIVEL KIT TWSHTP2-K

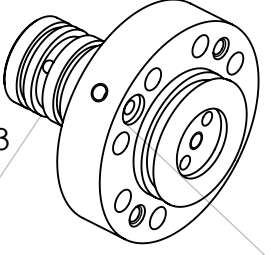
IMPORTANT

WHEN ORDERING SPARES YOU MUST STATE THE FULL PART NUMBER AND THE PRODUCT SERIAL NUMBER - FROM THE LABEL TO PROTECT YOUR WARRANTY ALWAYS USE GENUINE HI-FORCE PARTS.

DO NOT SCALE

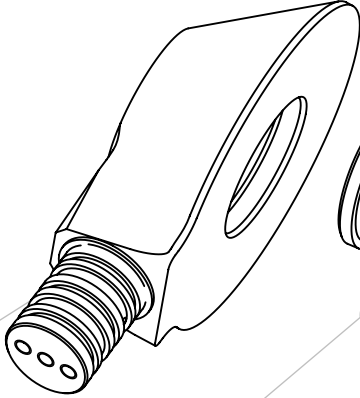


X3



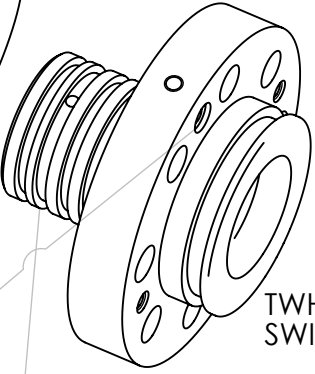
X3

X1



X3

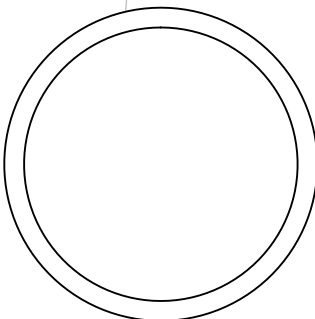
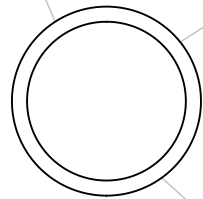
X1



X3

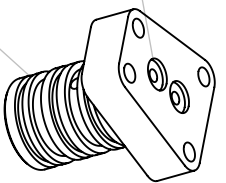
TWH210N
SWIVEL ASSEMBLY

TWH27N
TWH54N
TWH120N
SWIVEL ASSEMBLY



X3

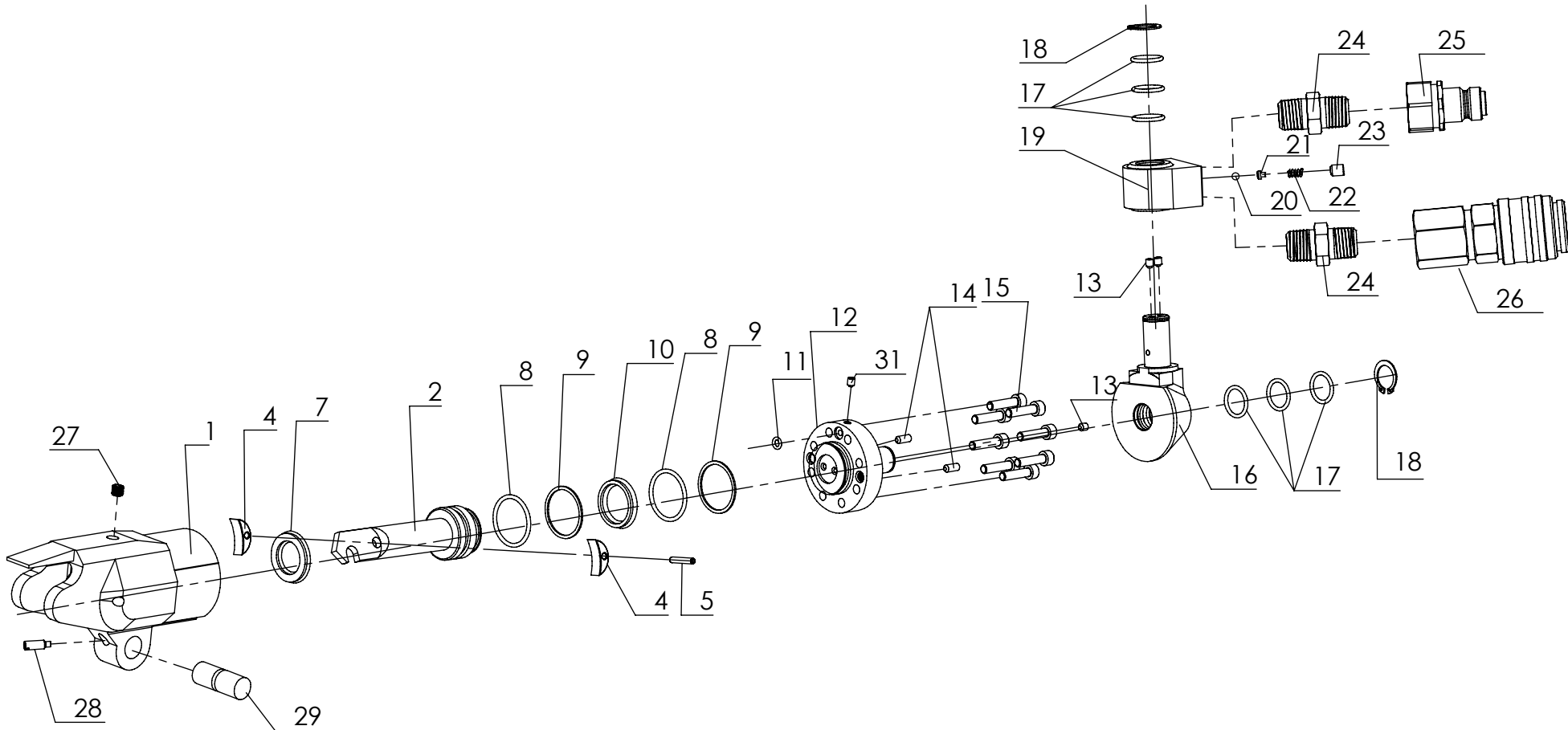
X2



TWS17N
TWS45N
TWS100N
TWS150N
TWS370N
TWH430N
SWIVEL POST

TWSHTP2-K SWIVEL SEAL KIT
(ALL SERIAL NUMBERS EXCEPT THOSE STARTING WITH "D")

PRINT OUT AT FULL SIZE AND
USE AS TEMPLATE TO AID
O-RING IDENTIFICATION



REVISION

1 3905

2	
3	
4	
5	
6	
7	
8	
9	
10	
11	
12	
13	
14	
15	
16	
17	
18	
19	
20	

IMPORTANT

WHEN ORDERING SPARES YOU MUST STATE THE FULL PART NUMBER AND THE PRODUCT SERIAL NUMBER - FROM THE LABEL TO PROTECT YOUR WARRANTY ALWAYS USE GENUINE HI-FORCE PARTS.

ITEM	DESCRIPTION	PART NUMBER
1	BODY (SEE NOTE 1)	TTC120BA001
2	PISTON	NOTE 2
4	SLIDER	TTC120MS001
5	SLIDER PIN	X
7	U RING	X
8	O RING	X
9	BACK UP RING	X
10	U RING	X
11	O RING	X SK
12	END CAP	NOTE 3
13	SCREW	X
14	SCREW	X
15	END CAP SCREW	X
16	SWIVEL JOINT	NOTE 3
17	O RING	X SK
18	RETAINING RING	X
19	HOSE SWIVEL	NOTE 3
20	STEEL BALL	X
21	SPRING SEAT	X
22	SPRING	X
23	HOSE SWIVEL SCREW	X
24	FITTING	HF7
25	QUICK COUPLER (MALE)	CM4F
26	QUICK COUPLER (FEMALE)	CF4F
27	PLUG	X
28	BALL PLUNGER	X
29	LINK PIN	TTC120JS001
31	SCREW	X

NOTES:

1. WHEN REPLACING BODY ALSO ORDER BSC028LC001.
2. PISTON ROD IS NOW 2 PIECE DESIGN. ORDER TTC120NS002 AND TTC120NS003 ALSO SEAL KIT TWH120NTP2-K
3. AREA SUBJECT TO DESIGN CHANGE. IF ANY OF THESE ITEMS NEED TO BE REPLACED, THEN ALL MUST BE REPLACED TOGETHER BY ORDERING. TTC120SA001, TTC120EA001, TTC045SA002, TTC045SA003 (x2) AND TWH120NTP2-K

REVISION

1 3905

2
3
4
5
6
7
8
9
10
11
12
13
14
15
16
17
18
19
20

ITEMS MARKED X ARE AVAILABLE IN SERVICE KIT TWH120NTP1-K ONLY
ITEMS MARKED SK ARE ALSO AVAILABLE IN SWIVEL KIT TWSHTP1-K

IMPORTANT

WHEN ORDERING SPARES YOU MUST STATE THE FULL PART NUMBER AND THE PRODUCT SERIAL NUMBER - FROM THE LABEL TO PROTECT YOUR WARRANTY ALWAYS USE GENUINE HI-FORCE PARTS.

DO NOT SCALE

WARNING
ON TWH210N TOOLS
WITH THIS TYPE OF SWIVEL IT
IS STRONGLY RECCOMENDED THAT
THE WHOLE ASSEMBLY IS REPLACED
WITH TWH210N-SK ASSEMBLY KIT

