

REVISION	
1	
2	3905
3	3992
4	
5	
6	
7	
8	
9	
10	
11	
12	
13	
14	
15	
16	
17	
18	
19	
20	

IMPORTANT
WHEN ORDERING SPARES YOU MUST STATE THE FULL PART NUMBER AND THE PRODUCT SERIAL NUMBER - FROM THE LABEL TO PROTECT YOUR WARRANTY ALWAYS USE GENUINE HI-FORCE PARTS.

REVISION

1	
2	3905
3	3992
4	
5	
6	
7	
8	
9	
10	
11	
12	
13	
14	
15	
16	
17	
18	
19	
20	

ITEM NO.	PART NUMBER	DESCRIPTION	QTY.
1	TTC210BA001	BODY	1
2	TTC210NS001	PISTON	1
3	TTC210NS002	PISTON HEAD	1
4	BSC035LD001	BEARING	1
5	TTC210EA001	SWIVEL CONNECTOR GLAND	1
6	TTC210SA001	END SWIVEL GLAND	1
7	TTC045SA002	FEMALE SWIVEL CONNECTOR	1
8	TTC045SA003	SWIVEL CONNECTOR CAP	1
9	TTC210SA002	SWIVEL CONNECTOR CAP	1
10	TTC210MS001	THRUST PAD	2
11	HF7	1/4" NPT MALE ADAPTOR	2
12	CF4F	COUPLER	1
13	CM4F	COUPLER	1
14	VRA280GB001	SPRING SEAT	1
15	TTC210JS001	LOCKING PIN	1
16	X	LIP SEAL	1
17	X	O - RING	1
18	X	BACK UP RING	1

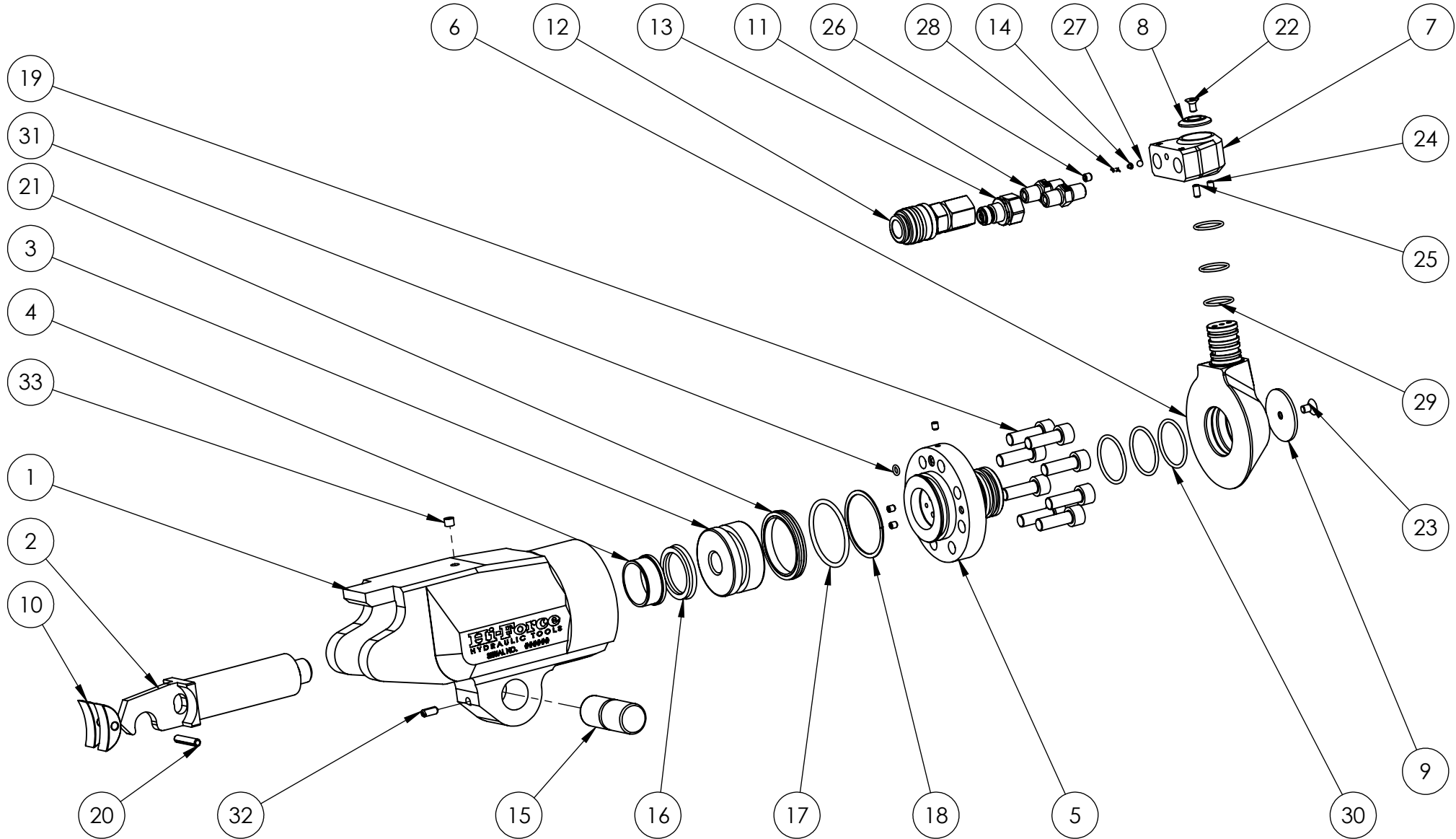
ITEM NO.	PART NUMBER	DESCRIPTION	QTY.
19	X	SOCKET CAP HD SCREW	8
20	X	SPRING PIN	1
21	X	PISTON SEAL	1
22	X	SKT CSK SCREW	1
23	X	SKT CSK SCREW	1
24	X	CUP PT SCREW	4
25	X	CUP PT SCREW	1
26	X	CUP PT SCREW	1
27	X	3/16 BALL	1
28	X	SPRING	1
29	X SK	O- RING	3
30	X SK	O- RING	3
31	X SK	O- RING	1
32	X	BALL PLUNGER	1
33	X	PLUG	1
34	BPC003TS001	PLUG	1

ITEMS MARKED X ARE AVAILABLE IN SERVICE KIT TWH210NTP2-K
ITEMS MARKED SK ARE AVAILABLE IN SWIVEL KIT TWSHTP2-K

1. GLAND RING (FOR ITEMS 2 AND 3) AVAILABLE AS PART ATC045PT001

IMPORTANT

WHEN ORDERING SPARES YOU MUST STATE THE FULL PART NUMBER AND THE PRODUCT SERIAL NUMBER - FROM THE LABEL TO PROTECT YOUR WARRANTY ALWAYS USE GENUINE HI-FORCE PARTS.



REVISION

1	
2	3905
3	
4	
5	
6	
7	
8	
9	
10	
11	
12	
13	
14	
15	
16	
17	
18	
19	
20	

IMPORTANT
WHEN ORDERING SPARES YOU MUST STATE THE FULL PART NUMBER AND THE PRODUCT SERIAL NUMBER - FROM THE LABEL TO PROTECT YOUR WARRANTY ALWAYS USE GENUINE HI-FORCE PARTS.

REVISION

1	
2	3905
3	
4	
5	
6	
7	
8	
9	
10	
11	
12	
13	
14	
15	
16	
17	
18	
19	
20	

ITEM NO.	PART NUMBER	DESCRIPTION	QTY.
1	TTC210BA001	BODY	1
2	TTC210NS001	PISTON	1
3	TTC210NS002	PISTON HEAD	1
4	BSC035LD001	BEARING	1
5	TTC210EA001	SWIVEL CONNECTOR GLAND	1
6	TTC210SA001	END SWIVEL GLAND	1
7	TTC045SA002	FEMALE SWIVEL CONNECTOR	1
8	TTC045SA003	SWIVEL CONNECTOR CAP	1
9	TTC210SA002	SWIVEL CONNECTOR CAP	1
10	TTC210MS001	THRUST PAD	2
11	HF7	1/4" NPT MALE ADAPTOR	2
12	CF4F	COUPLER	1
13	CM4F	COUPLER	1
14	VRA280GB001	SPRING SEAT	1
15	TTC210JS001	LOCKING PIN	1
16	X	LIP SEAL	1
17	X	O - RING	1
18	X	BACK UP RING	1

ITEM NO.	PART NUMBER	DESCRIPTION	QTY.
19	X	SOCKET CAP HD SCREW	8
20	X	SPRING PIN	1
21	X	PISTON SEAL	1
22	X	SKT CSK SCREW	1
23	X	SKT CSK SCREW	1
24	X	CUP PT SCREW	4
25	X	CUP PT SCREW	1
26	X	CUP PT SCREW	1
27	X	3/16 BALL	1
28	X	SPRING	1
29	X SK	O- RING	3
30	X SK	O- RING	3
31	X SK	O- RING	1
32	X	BALL PLUNGER	1
33	X	PLUG	1

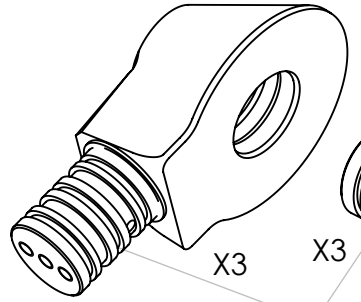
ITEMS MARKED X ARE AVAILABLE IN SERVICE KIT TWH210NTP2-K
ITEMS MARKED SK ARE AVAILABLE IN SWIVEL KIT TWSHTP2-K

- GLAND WRENCH (FOR ITEMS 2 AND 3) AVAILABLE AS PART ATC045PT001

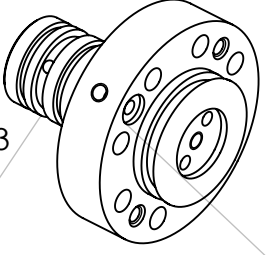
IMPORTANT

WHEN ORDERING SPARES YOU MUST STATE THE FULL PART NUMBER AND THE PRODUCT SERIAL NUMBER - FROM THE LABEL TO PROTECT YOUR WARRANTY ALWAYS USE GENUINE HI-FORCE PARTS.

DO NOT SCALE

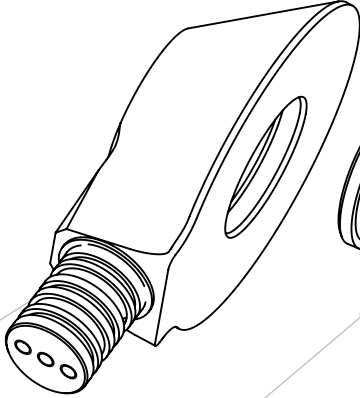


X3



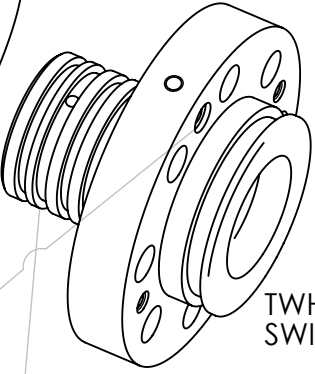
X3

X1



X3

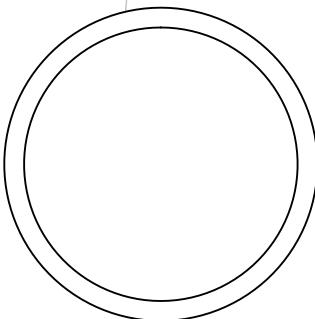
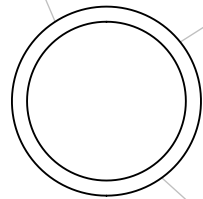
X1



X3

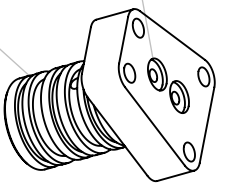
TWH210N
SWIVEL ASSEMBLY

TWH27N
TWH54N
TWH120N
SWIVEL ASSEMBLY



X3

X2

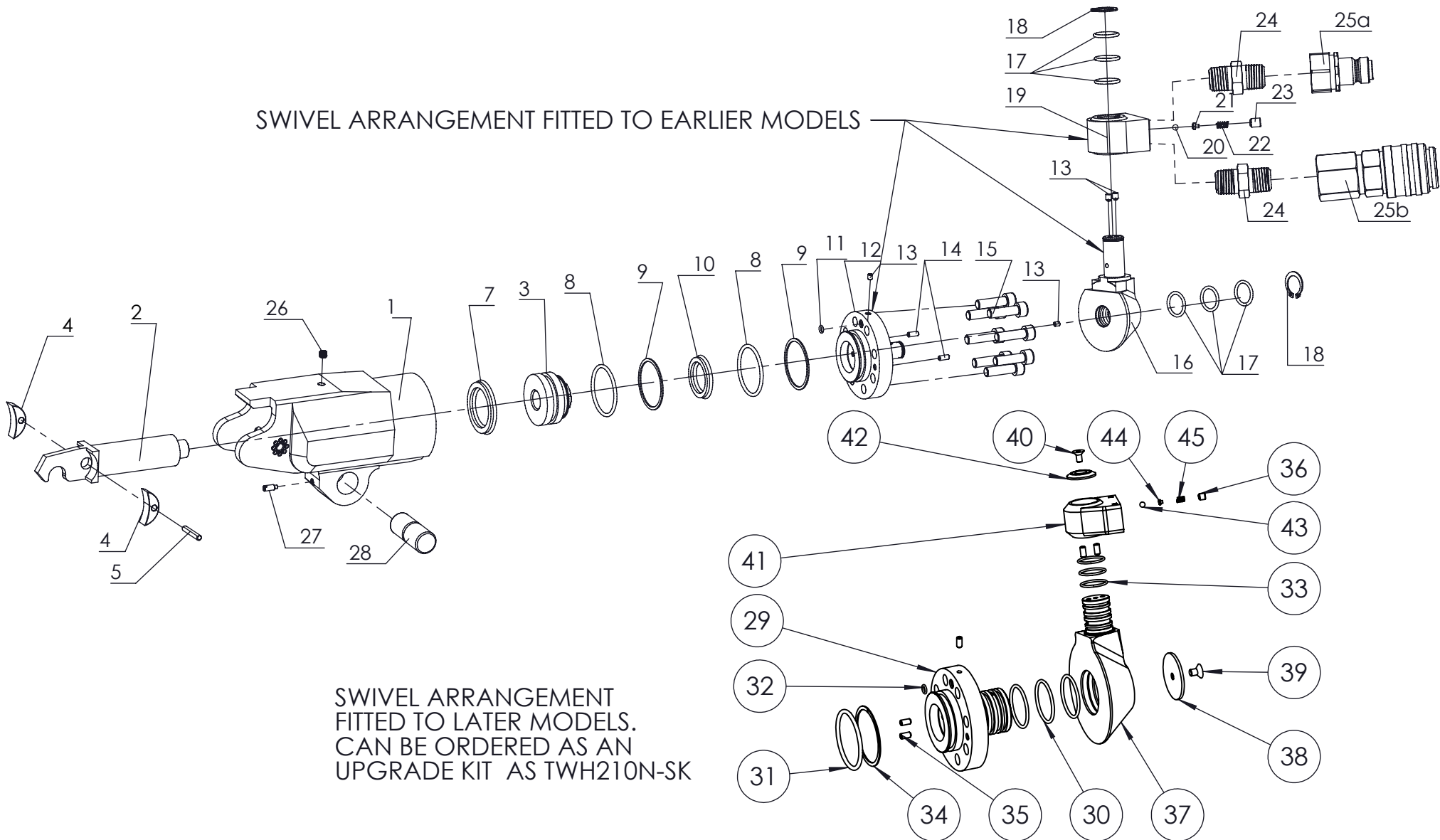


TWS17N
TWS45N
TWS100N
TWS150N
TWS370N
TWH430N
SWIVEL POST

TWSHTP2-K SWIVEL SEAL KIT
(ALL SERIAL NUMBERS EXCEPT THOSE STARTING WITH "D")

PRINT OUT AT FULL SIZE AND
USE AS TEMPLATE TO AID
O-RING IDENTIFICATION

SWIVEL ARRANGEMENT FITTED TO EARLIER MODELS



SWIVEL ARRANGEMENT
FITTED TO LATER MODELS.
CAN BE ORDERED AS AN
UPGRADE KIT AS TWH210N-SK

REVISION

1 3905

2
3
4
5
6
7
8
9
10
11
12
13
14
15
16
17
18
19
20

IMPORTANT

WHEN ORDERING SPARES YOU MUST STATE THE FULL PART NUMBER AND THE PRODUCT SERIAL NUMBER - FROM THE LABEL TO PROTECT YOUR WARRANTY ALWAYS USE GENUINE HI-FORCE PARTS.

ITEM	DESCRIPTION	PART NUMBER
1	BODY	TTC210BA001
2	PISTON ROD	TTC210NS001
3	PISTON CAP	TWH210N-C05
4	SLIDER	TTC210MS001
5	SLIDER PIN	X
7	U RING	X
8	O RING	X
9	BACKUP RING	X
10	U RING	X
11	O RING	X Y
12	END CAP	NOTE 2
13	END CAP SCREW	X
14	END CAP SCREW	X
15	END CAP SCREW	X
16	SWIVEL JOINT	NOTE 2
17	O RING	X Y
18	RETAINING RING	X
19	HOSE SWIVEL	NOTE 2
20	STEEL BALL	X
21	SPRING SEAT	VRA280GB001
22	SPRING	X
23	SCREW	X
24	FITTING	HF7
25a	QUICK COUPLER	CM4F
25b	QUICK COUPLER	CF4F
26	CASING CAP	X
27	BALL PLUNGER	X
28	LINK PIN	TTC210JS001

ITEM NO.	PART NUMBER	DESCRIPTION	QTY.
29	TTC210EA001	SWIVEL CONNECTOR GLAND	1
30	Z	O- RING	3
31	X	O - RING	1
32	X Z	O- RING	1
33	Z	O- RING	3
34	X	BACK UP RING	1
35	X	CUP PT SCREW	5
36	X	CUP PT SCREW	1
37	TTC210SA001	END SWIVEL GLAND	1
38	TTC210SA002	SWIVEL CONNECTOR CAP	1
39	BLC006JE010	SKT CSK SCREW	1
40	BLC005HF010	SKT CSK SCREW	1
41	TTC045SA002	FEMALE SWIVEL CONNECTOR	1
42	TTC045SA003	SWIVEL CONNECTOR CAP	1
43	X	3/16 BALL	1
44	VRA280GB001	SPRING SEAT	1
45	X	SPRING	1

REVISION
1
2
3
4
5
6
7
8
9
10
11
12
13
14
15
16
17
18
19
20

NOTES:

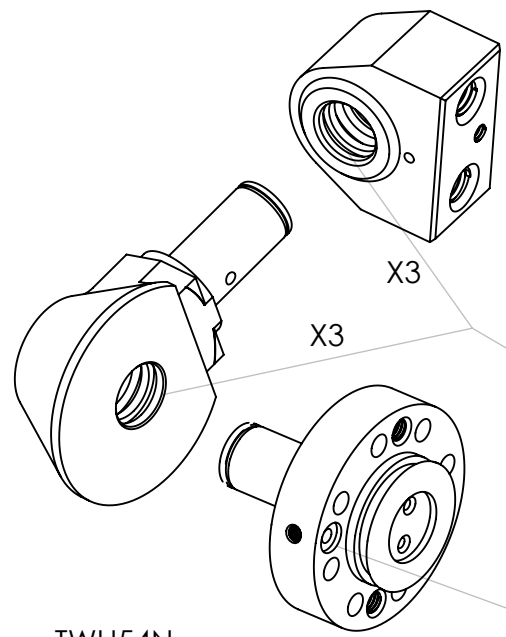
1. WHEN REPLACING BODY ALSO ORDER BSC035LD001 BEARING.
2. AREA SUBJECT TO DESIGN CHANGE. IF ANY OF THESE ITEMS NEED TO BE REPLACED, THEN ALL MUST BE REPLACED TOGETHER BY ORDERING TWH210N-SK KIT. IT IS RECCOMENDED THAT THIS BE CARRIED OUT IN ANY CASE TO IMPROVE TOOL DURABILITY
3. ITEMS MARKED X ARE AVAILABLE IN SERVICE KIT TWH210NTP1-K
4. ITEMS MARKED Y ARE AVAILABLE IN SWIVEL KIT TWSHTP1-K
5. ITEMS MARKED Z ARE AVAILABLE IN SWIVEL KIT TWSHTP2-K
6. ITEMS 29-45 ARE CONTAINED IN UPGRADE KIT TWH210N-SK GLAND WRENCH (FOR ITEMS 2 AND 3) AVAILABLE AS PART ATC045PT001
- 7.

IMPORTANT

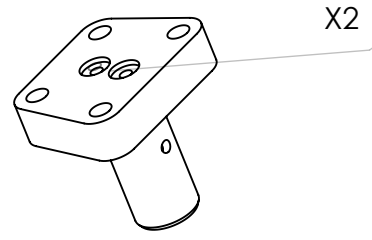
WHEN ORDERING SPARES YOU MUST STATE THE FULL PART NUMBER AND THE PRODUCT SERIAL NUMBER - FROM THE LABEL TO PROTECT YOUR WARRANTY ALWAYS USE GENUINE HI-FORCE PARTS.

DO NOT SCALE

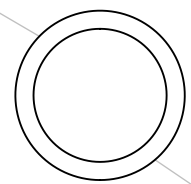
WARNING
ON TWH210N TOOLS
WITH THIS TYPE OF SWIVEL IT
IS STRONGLY RECCOMENDED THAT
THE WHOLE ASSEMBLY IS REPLACED
WITH TWH210N-SK ASSEMBLY KIT



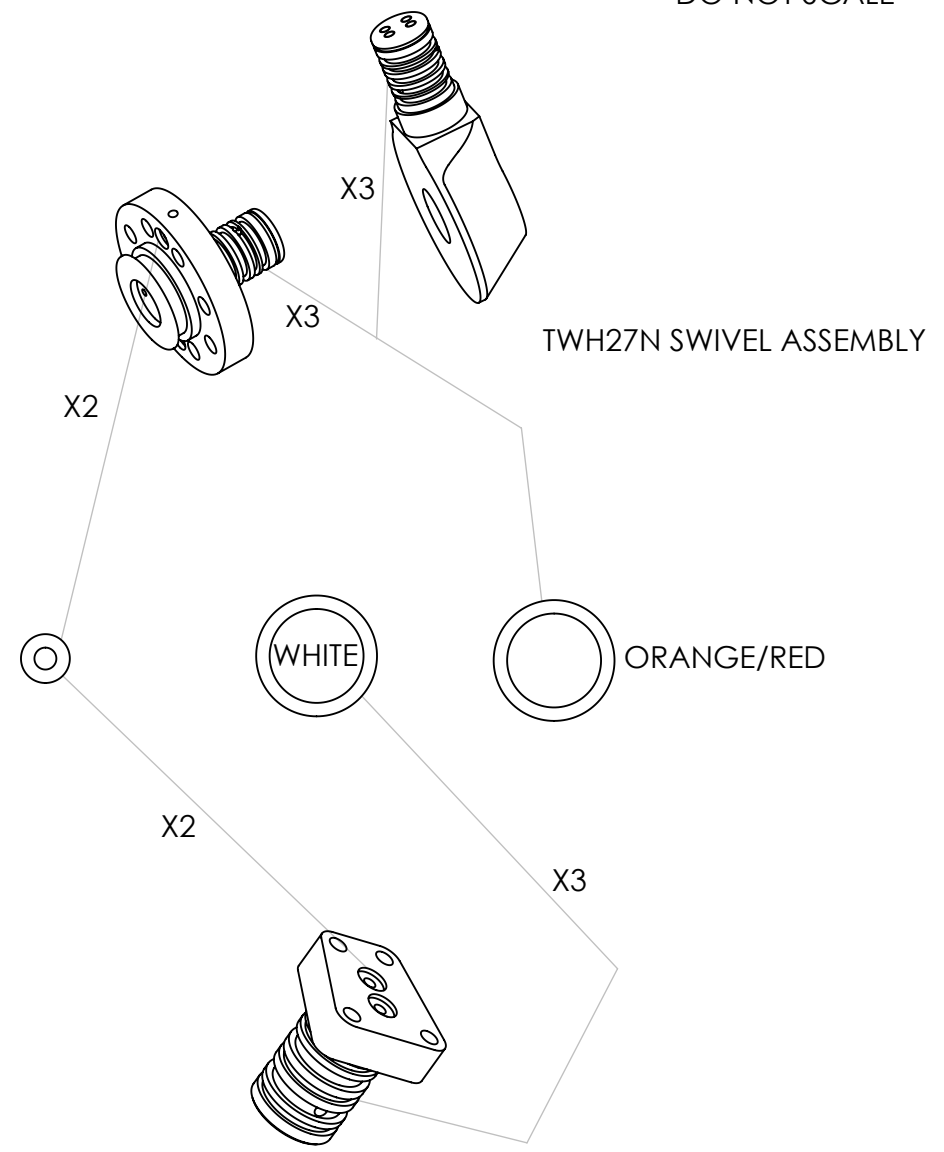
TWH54N
TWH120N
TWH210N (SEE WARNING NOTE)
SWIVEL ASSEMBLY



TWS45N
TWS100N
TWS150N
TWS370N
TWH430N
SWIVEL POST



TWS45N
TWS100N
TWS150N
TWS370N
TWH430N
SWIVEL CONNECTOR



TWH27N SWIVEL ASSEMBLY

TWS17N SWIVEL POST