

REVISION

1	
2	3905
3	3992
4	
5	
6	
7	
8	
9	
10	
11	
12	
13	
14	
15	
16	
17	
18	
19	
20	

IMPORTANT
WHEN ORDERING SPARES YOU MUST STATE THE FULL PART NUMBER AND THE PRODUCT SERIAL NUMBER - FROM THE LABEL TO PROTECT YOUR WARRANTY ALWAYS USE GENUINE HI-FORCE PARTS.

ITEM NO.	PART NUMBER	DESCRIPTION	QTY.
1	TTC027BA001	BODY	1
2	TTC027NS003	PISTON HEAD	1
3	TTC027NS002	PISTON	1
4	BSC016LB001	BEARING	1
5	TTC027EA001	SWIVEL CONNECTOR GLAND	1
6	TTC027SA001	END SWIVEL GLAND	1
7	TTC045SA002	FEMALE SWIVEL CONNECTOR	1
8	TTC045SA003	SWIVEL CONNECTOR CAP	2
9	TTC027MS001	THRUST PAD	2
10	HF7	1/4" NPT MALE ADAPTOR	2
11	CF4F	COUPLER	1
12	CM4F	COUPLER	1
13	VRA280GB001	SPRING SEAT	1
14	TTC027JS001	LOCKING PIN	1
15	x	O- RING	1

ITEM NO.	PART NUMBER	DESCRIPTION	QTY.
16	x	LIP SEAL	1
17	x	O - RING	1
18	x	BACK UP RING	1
19	x	SOCKET CAP HD SCREW	6
20	x	SPRING PIN	1
21	x	PISTON SEAL	1
22	x	SKT CSK SCREW	2
23	x	CUP PT SCREW	4
24	x	CUP PT SCREW	1
25	x	GRUB SCREW	1
26	x	3/16 BALL	1
27	x	SPRING	1
28	x SK	O- RING	6
29	x SK	O- RING	1
30	X	SPRING PLUNGER	1
31	BPC003TS001	PLUG	1

REVISION

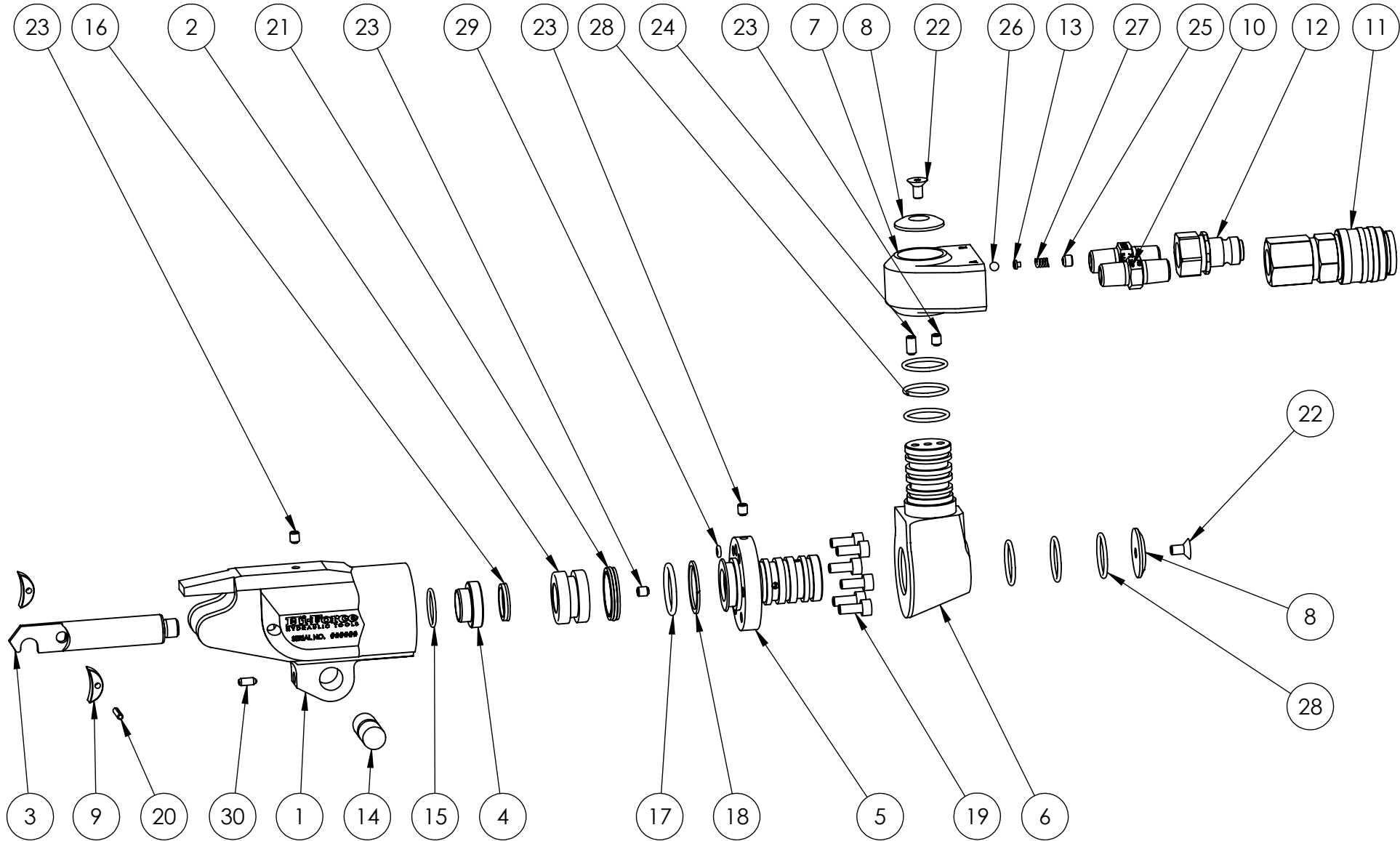
1	
2	3905
3	3992
4	
5	
6	
7	
8	
9	
10	
11	
12	
13	
14	
15	
16	
17	
18	
19	
20	

NOTE:

- CLAND WRENCH (FOR ITEMS 2 AND 3) AVAILABLE AS PART ATC027PT001

PARTS MARKED "X" ARE AVAILABLE IN SERVICE KIT TWH27NTP2-K ONLY
PARTS MARKED SK ARE ALSO AVAILABLE IN SWIVEL KIT TWSHTP2-K

IMPORTANT
WHEN ORDERING SPARES YOU MUST STATE THE FULL PART NUMBER AND THE PRODUCT SERIAL NUMBER - FROM THE LABEL
TO PROTECT YOUR WARRANTY ALWAYS USE GENUINE HI-FORCE PARTS.



REVISION

1	
2	3905
3	
4	
5	
6	
7	
8	
9	
10	
11	
12	
13	
14	
15	
16	
17	
18	
19	
20	

IMPORTANT
WHEN ORDERING SPARES YOU MUST STATE THE FULL PART NUMBER AND THE PRODUCT SERIAL NUMBER - FROM THE LABEL TO PROTECT YOUR WARRANTY ALWAYS USE GENUINE HI-FORCE PARTS.

ITEM NO.	PART NUMBER	DESCRIPTION	QTY.
1	TTC027BA001	BODY	1
2	TTC027NS003	PISTON HEAD	1
3	TTC027NS002	PISTON	1
4	BSC016LB001	BEARING	1
5	TTC027EA001	SWIVEL CONNECTOR GLAND	1
6	TTC027SA001	END SWIVEL GLAND	1
7	TTC045SA002	FEMALE SWIVEL CONNECTOR	1
8	TTC045SA003	SWIVEL CONNECTOR CAP	2
9	TTC027MS001	THRUST PAD	2
10	HF7	1/4" NPT MALE ADAPTOR	2
11	CF4F	COUPLER	1
12	CM4F	COUPLER	1
13	VRA280GB001	SPRING SEAT	1
14	TTC027JS001	LOCKING PIN	1
15	x	O- RING	1

ITEM NO.	PART NUMBER	DESCRIPTION	QTY.
16	x	LIP SEAL	1
17	x	O - RING	1
18	x	BACK UP RING	1
19	x	SOCKET CAP HD SCREW	6
20	x	SPRING PIN	1
21	x	PISTON SEAL	1
22	x	SKT CSK SCREW	2
23	x	CUP PT SCREW	4
24	x	CUP PT SCREW	1
25	x	GRUB SCREW	1
26	x	3/16 BALL	1
27	x	SPRING	1
28	x SK	O- RING	6
29	x SK	O- RING	1
30	X	SPRING PLUNGER	1

REVISION

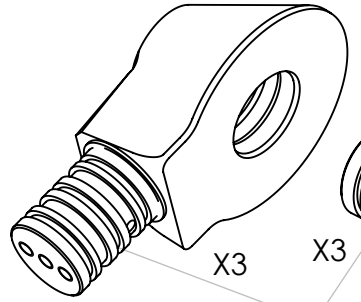
1	
2	3905
3	
4	
5	
6	
7	
8	
9	
10	
11	
12	
13	
14	
15	
16	
17	
18	
19	
20	

1. GLAND RING (FOR ITEMS 2 AND 3) AVAILABLE AS PART ATC027PT001

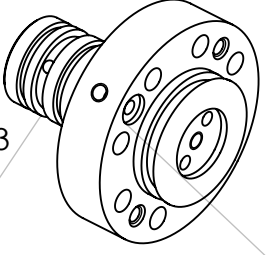
PARTS MARKED "X" ARE AVAILABLE IN SERVICE KIT TWH27NTP2-K ONLY
PARTS MARKED SK ARE ALSO AVAILABLE IN SWIVEL KIT TWSHTP2-K

IMPORTANT
WHEN ORDERING SPARES YOU MUST STATE THE FULL PART NUMBER AND THE PRODUCT SERIAL NUMBER - FROM THE LABEL TO PROTECT YOUR WARRANTY ALWAYS USE GENUINE HI-FORCE PARTS.

DO NOT SCALE

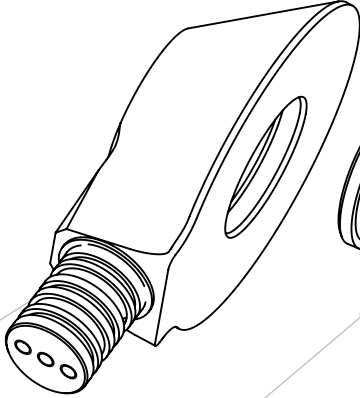


X3

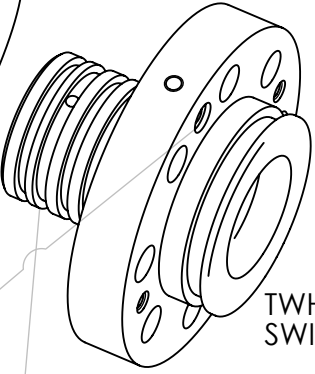


X3

X1



X3

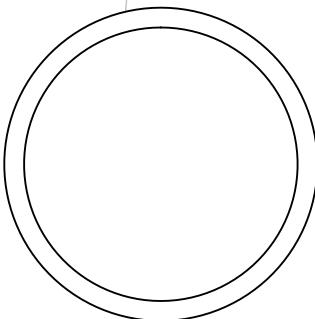
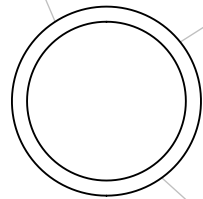


X3

TWH210N
SWIVEL ASSEMBLY

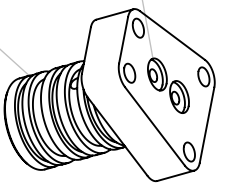
TWH27N
TWH54N
TWH120N
SWIVEL ASSEMBLY

X1



X3

X2



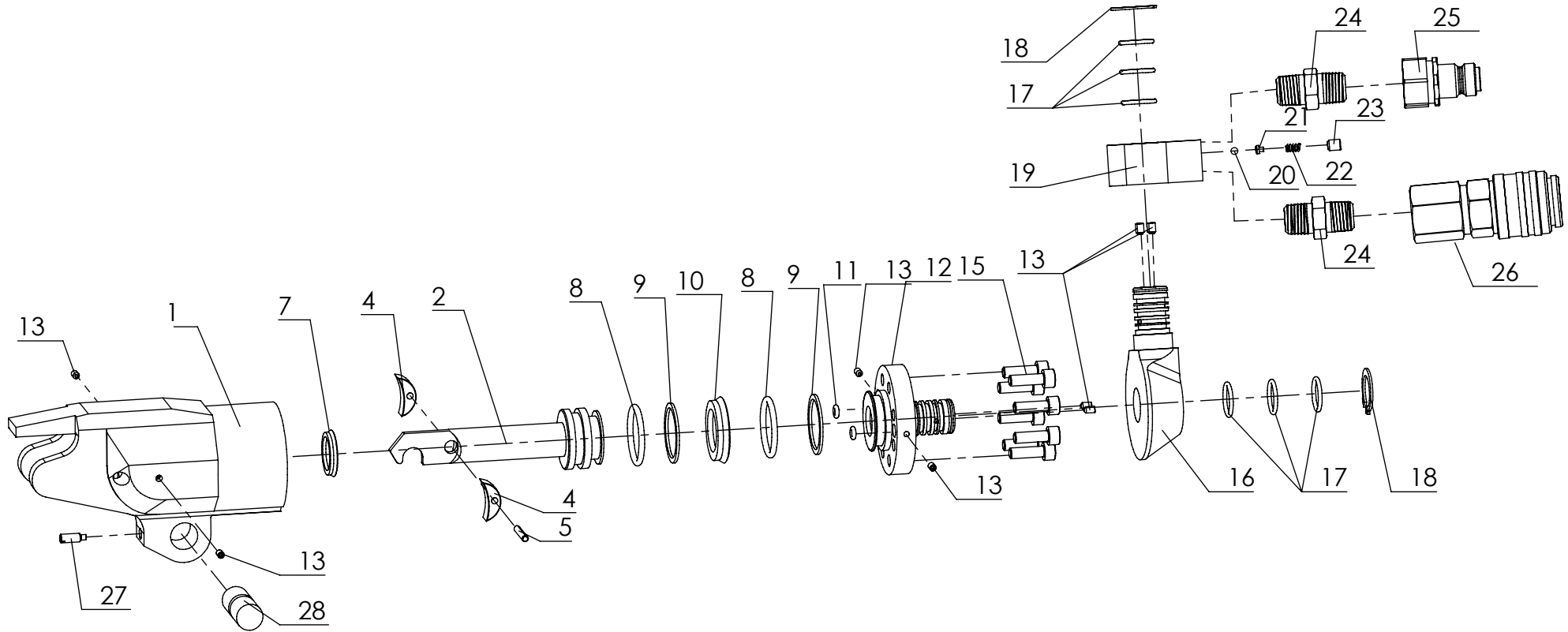
TWS17N
TWS45N
TWS100N
TWS150N
TWS370N
TWH430N
SWIVEL POST

TWSHTP2-K SWIVEL SEAL KIT
(ALL SERIAL NUMBERS EXCEPT THOSE STARTING WITH "D")

PRINT OUT AT FULL SIZE AND
USE AS TEMPLATE TO AID
O-RING IDENTIFICATION

REVISION

1	3905
2	
3	
4	
5	
6	
7	
8	
9	
10	
11	
12	
13	
14	
15	
16	
17	
18	
19	
20	



IMPORTANT

WHEN ORDERING SPARES YOU MUST STATE THE FULL PART NUMBER AND THE PRODUCT SERIAL NUMBER - FROM THE LABEL TO PROTECT YOUR WARRANTY ALWAYS USE GENUINE HI-FORCE PARTS.

ITEM	DESCRIPTION	PART NUMBER
1	BODY	TWH27N-C01
2	PISTON	TWH27N-C03
4	SLIDER	TTC027MS001
5	PIN	X
7	SEAL	X
8	O-RING	X
9	BACK UP RING	X
10	SEAL	X
11	O-RING	X
12	END CAP	TWH27N-C23
13	SCREW	X
15	SCREW	X
16	SWIVEL	TWH27N-C31
17	O-RING	X
18	CIRCLIP	X
19	SWIVEL	TWH27N-C37
20	BALL	X
21	SEAT	VRA280GB001
22	SPRING	X
23	SCREW	X
24	FITTING	HF7
25	MALE COUPLER	CM4F
26	FEMALE COUPLER	CF4F
27	PLUNGER	X
28	PIN	TTC027JS001

ITEMS MARKED "X" ARE AVAILABLE IN TWH27NTP1-K SERVICE KIT ONLY

NOTE: ITEMS 17 AND 11 ARE ALSO AVAILABLE IN TWSHTP1-K SWIVEL KIT

REVISION

1 3905

2

3

4

5

6

7

8

9

10

11

12

13

14

15

16

17

18

19

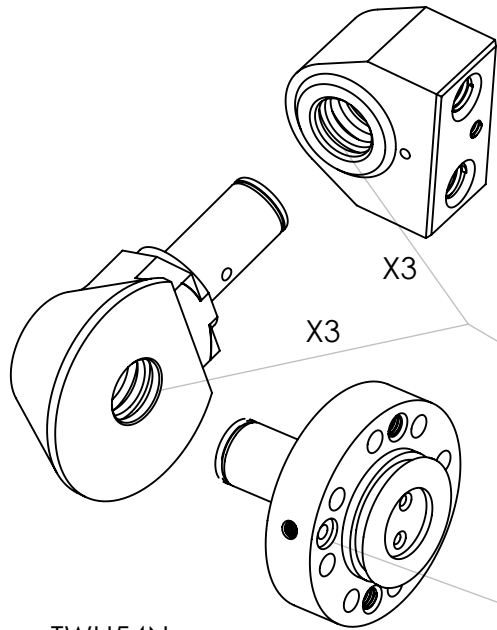
20

IMPORTANT

WHEN ORDERING SPARES YOU MUST STATE THE FULL PART NUMBER AND THE PRODUCT SERIAL NUMBER - FROM THE LABEL TO PROTECT YOUR WARRANTY ALWAYS USE GENUINE HI-FORCE PARTS.

DO NOT SCALE

WARNING
ON TWH210N TOOLS
WITH THIS TYPE OF SWIVEL IT
IS STRONGLY RECCOMENDED THAT
THE WHOLE ASSEMBLY IS REPLACED
WITH TWH210N-SK ASSEMBLY KIT

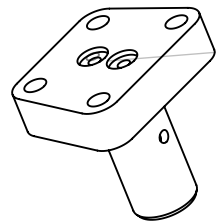


X3

X3

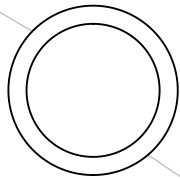
X1

TWH54N
TWH120N
TWH210N (SEE WARNING NOTE)
SWIVEL ASSEMBLY



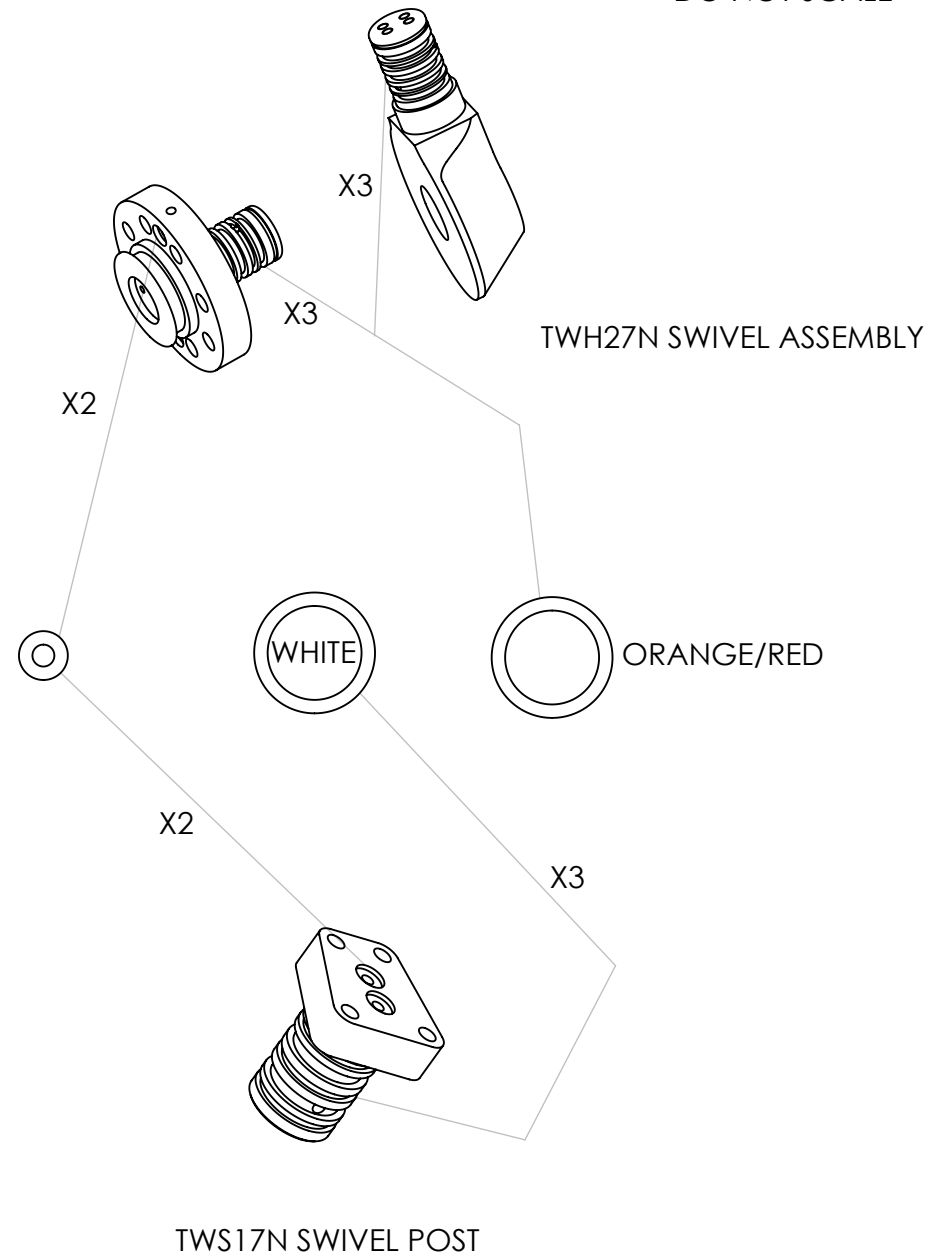
X2

TWS45N
TWS100N
TWS150N
TWS370N
TWH430N
SWIVEL POST



X3

TWS45N
TWS100N
TWS150N
TWS370N
TWH430N
SWIVEL CONNECTOR



X3

X3

TWH27N SWIVEL ASSEMBLY

X2

WHITE

ORANGE/RED

X2

X3

TWS17N SWIVEL POST