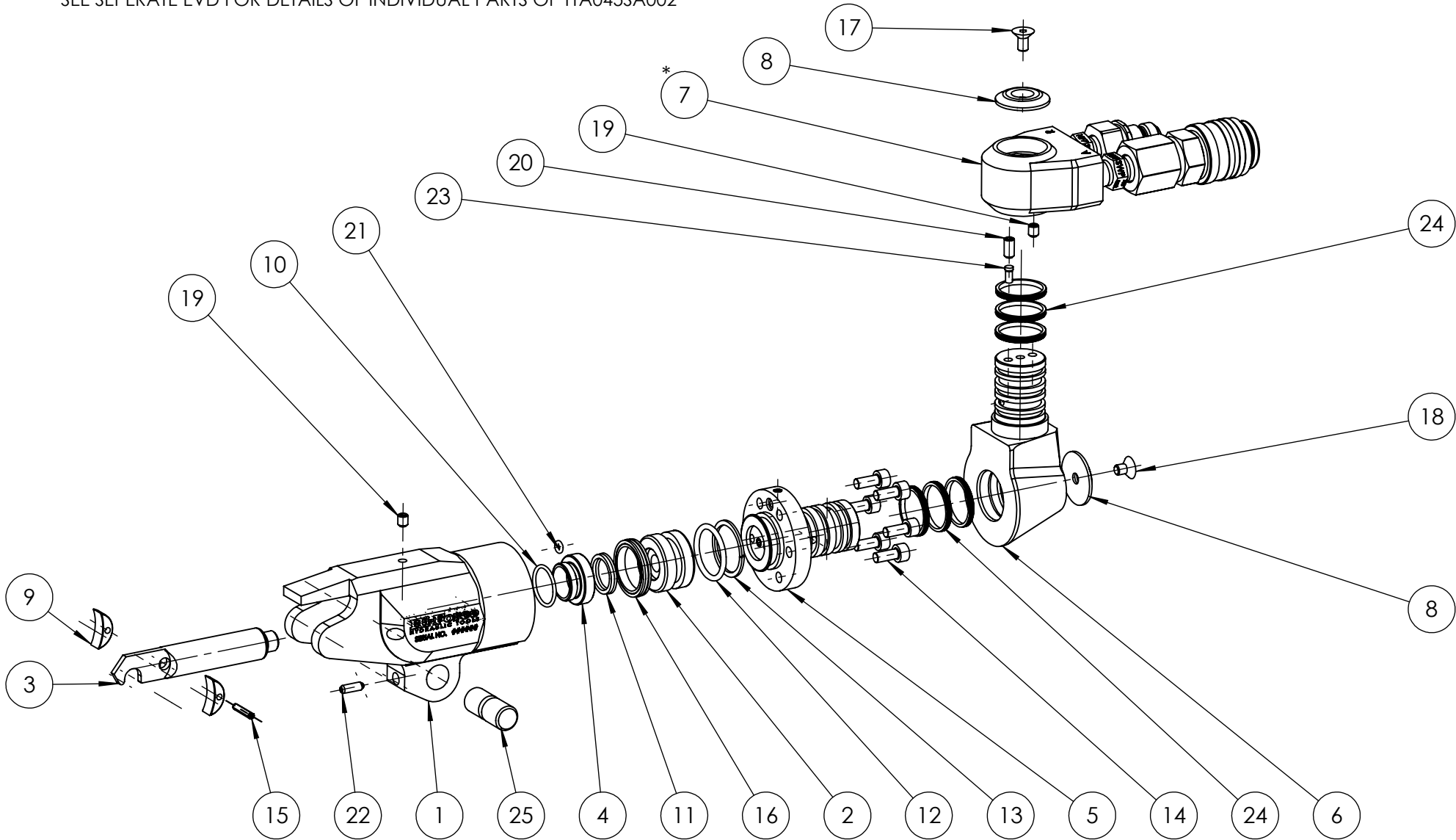


* SEE SEPERATE EVD FOR DETAILS OF INDIVIDUAL PARTS OF TTA045SA002

REVISION



| | |
|----|------|
| 1 | |
| 2 | 3905 |
| 3 | 3992 |
| 4 | 5973 |
| 5 | |
| 6 | |
| 7 | |
| 8 | |
| 9 | |
| 10 | |
| 11 | |
| 12 | |
| 13 | |
| 14 | |
| 15 | |
| 16 | |
| 17 | |
| 18 | |
| 19 | |
| 20 | |

IMPORTANT
WHEN ORDERING SPARES YOU MUST STATE THE FULL PART NUMBER AND THE PRODUCT SERIAL NUMBER - FROM THE LABEL TO PROTECT YOUR WARRANTY ALWAYS USE GENUINE HI-FORCE PARTS.

| ITEM NO. | PART NUMBER | DESCRIPTION | QTY. | SPARE PART AVAILABILITY | SERVICE KIT CONTENTS |
|----------|-------------|--|------|-------------------------|----------------------|
| 1 | TTC027BA002 | BODY | 1 | * | |
| 2 | TTC027NS003 | PISTON HEAD | 1 | | |
| 3 | TTC027NS002 | PISTON | 1 | | |
| 4 | BSC016LB002 | BEARING | 1 | | |
| 5 | TTC027EA001 | SWIVEL CONNECTOR GLAND | 1 | | |
| 6 | TTC027SA001 | END SWIVEL GLAND | 1 | | |
| 7 | TTA045SA002 | SWIVEL CONNECTOR ASSEMBLY | 1 | | |
| 8 | TTC045SA003 | SWIVEL CONNECTOR CAP | 2 | | |
| 9 | TTC027MS001 | THRUST PAD | 2 | | |
| 10 | SEC021RA001 | O- RING 18.1 x 1.6 NITRILE 90 | 1 | * | ✓ |
| 11 | SEC016LE001 | LIP SEAL | 1 | * | ✓ |
| 12 | SEC028RA001 | O-RING - I.D. 23.47 mm, C.S. 2.62 mm, NITRILE 70 | 1 | * | ✓ |
| 13 | SEC028BA001 | BACK UP RING | 1 | * | ✓ |
| 14 | BLC005HD012 | SOCKET CAP HD SCREW M5 X12 | 6 | | ✓ |
| 15 | PCC003RC002 | SPIRAL PIN DIA 3 X 16 | 1 | * | ✓ |
| 16 | SEC029GA001 | PISTON SEAL | 1 | * | ✓ |
| 17 | BLC005HF010 | SOCKET CSK SCREW M5 x 10 | 1 | | ✓ |
| 18 | BLC005HF008 | SOCKET CSK SCREW M5 x 8 | 1 | * | ✓ |
| 19 | FAS005ME006 | SOCKET CUP PT SCREW M5 x 6 | 4 | | ✓ |
| 20 | FAS005ME010 | SOCKET CUP PT SCREW M5 x 10 | 1 | | ✓ |
| 21 | SEC006RA001 | O-RING 2.9 x 1.78 NITRILE 90 | 1 | | ✓ sk |
| 22 | FAS004MY012 | SPRING PLUNGER | 1 | * | ✓ |
| 23 | BPC003TS001 | PLUG | 1 | | |
| 24 | SEC025MF001 | ROTARY SEAL | 6 | | ✓ sk |
| 25 | TTC027JS001 | LOCKING PIN | 1 | | |

REVISION

| | |
|----|------|
| 1 | |
| 2 | 3905 |
| 3 | 3992 |
| 4 | 5973 |
| 5 | |
| 6 | |
| 7 | |
| 8 | |
| 9 | |
| 10 | |
| 11 | |
| 12 | |
| 13 | |
| 14 | |
| 15 | |
| 16 | |
| 17 | |
| 18 | |
| 19 | |
| 20 | |

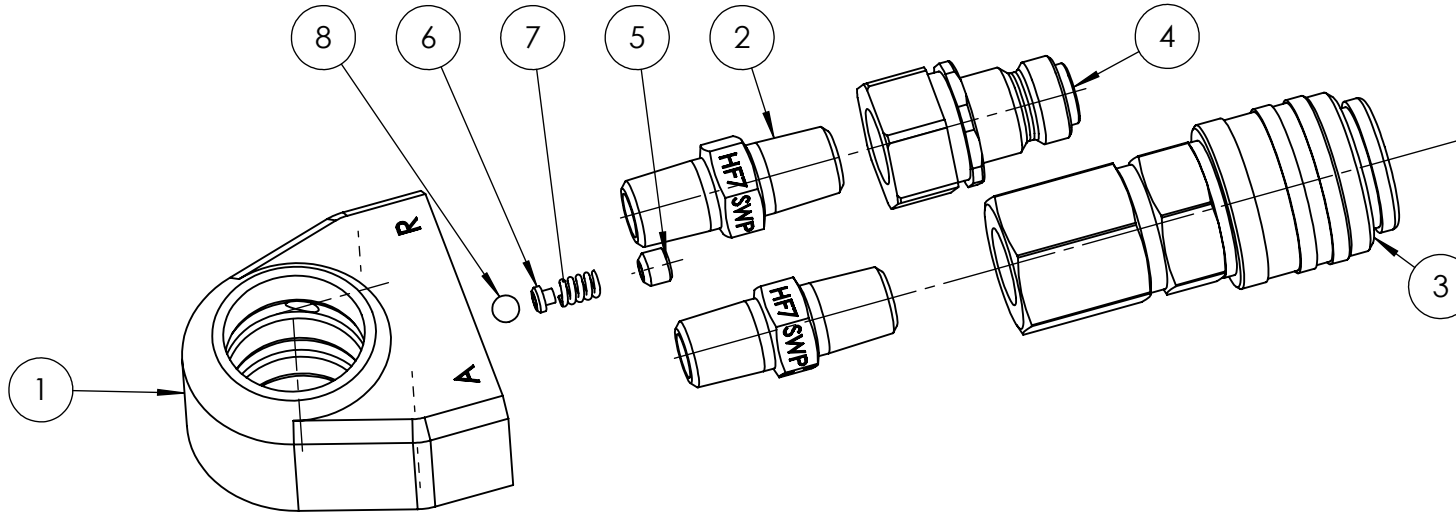
ALL PARTS AVAILABLE TO ORDER AS AN INDIVIDUAL SPARE PART UNLESS MARKED *

PARTS MARKED ✓ ARE AVAILABLE IN SERVICE KIT TWH27NTP2-K

PARTS MARKED sk ARE ALSO AVAILABLE IN SWIVEL KIT TWSHTP2-K

IMPORTANT

WHEN ORDERING SPARES YOU MUST STATE THE FULL PART NUMBER AND THE PRODUCT SERIAL NUMBER - FROM THE LABEL TO PROTECT YOUR WARRANTY ALWAYS USE GENUINE HI-FORCE PARTS.



REVISION

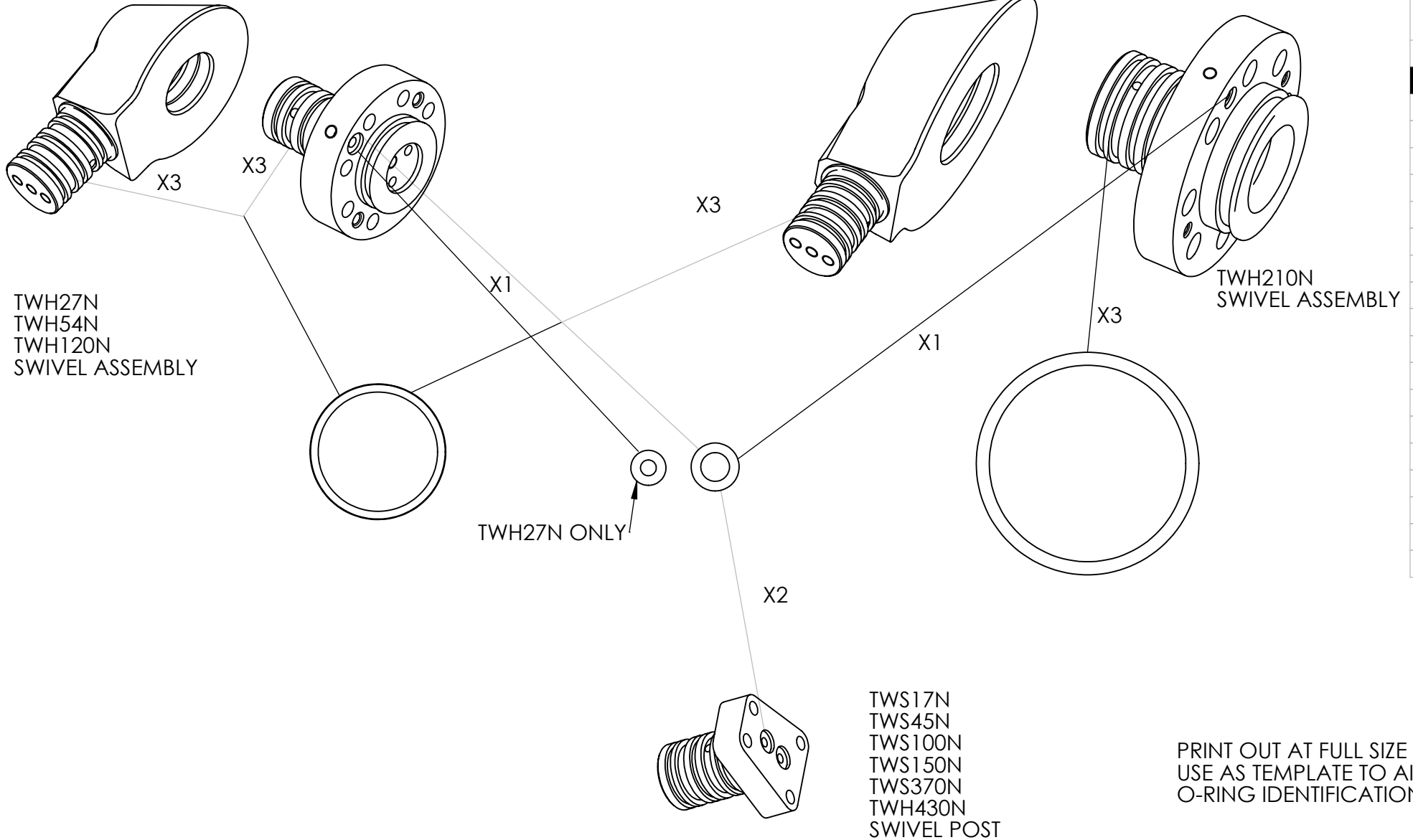
| | |
|----|------|
| 1 | 5973 |
| 2 | |
| 3 | |
| 4 | |
| 5 | |
| 6 | |
| 7 | |
| 8 | |
| 9 | |
| 10 | |
| 11 | |
| 12 | |
| 13 | |
| 14 | |
| 15 | |
| 16 | |
| 17 | |
| 18 | |
| 19 | |
| 20 | |

| ITEM NO. | PART NUMBER | DESCRIPTION | QTY. | SPARE PART AVAILABILITY |
|----------|-------------|-------------------------------|------|-------------------------|
| 1 | TTC045SA002 | FEMALE SWIVEL CONNECTOR | 1 | |
| 2 | HF7 | 1/4" NPT MALE ADAPTOR | 2 | |
| 3 | CF4F | COUPLER | 1 | |
| 4 | CM4F | COUPLER | 1 | |
| 5 | FAS006MB005 | SOCKET CUP POINT SCREW M6 x 5 | 1 | |
| 6 | VRA280GB001 | SPRING SEAT | 1 | |
| 7 | SPC005CA003 | SPRING | 1 | |
| 8 | BAC005SN001 | 3/16 BALL | 1 | |

ALL PARTS AVAILABLE TO ORDER AS AN INDIVIDUAL SPARE PART UNLESS MARKED x

IMPORTANT
WHEN ORDERING SPARES YOU MUST STATE THE FULL PART NUMBER AND THE PRODUCT SERIAL NUMBER - FROM THE LABEL TO PROTECT YOUR WARRANTY ALWAYS USE GENUINE HI-FORCE PARTS.

| | |
|----|------|
| 1 | |
| 2 | 5973 |
| 3 | |
| 4 | |
| 5 | |
| 6 | |
| 7 | |
| 8 | |
| 9 | |
| 10 | |
| 11 | |
| 12 | |
| 13 | |
| 14 | |
| 15 | |
| 16 | |
| 17 | |
| 18 | |
| 19 | |
| 20 | |



IMPORTANT
WHEN ORDERING SPARES YOU MUST STATE THE FULL PART NUMBER AND THE PRODUCT SERIAL NUMBER - FROM THE LABEL TO PROTECT YOUR WARRANTY ALWAYS USE GENUINE HI-FORCE PARTS.